

AP 680 I

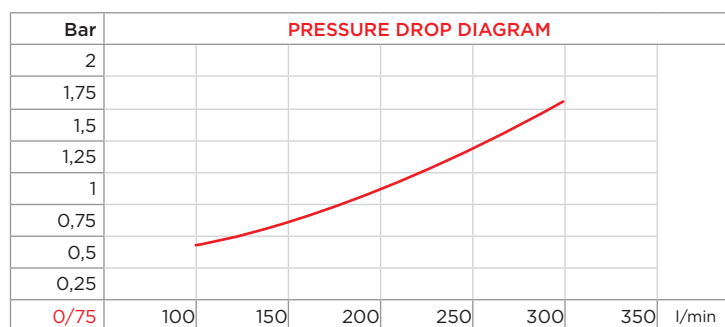
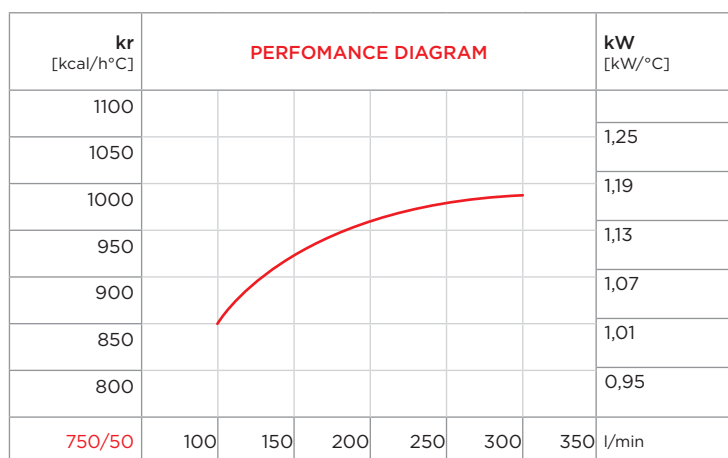


PURCHASE CODES

AP 680 I with hydraulic motor	3RAP68011A
AP 680 I prepared	3RAP68014A

SPARE PARTS

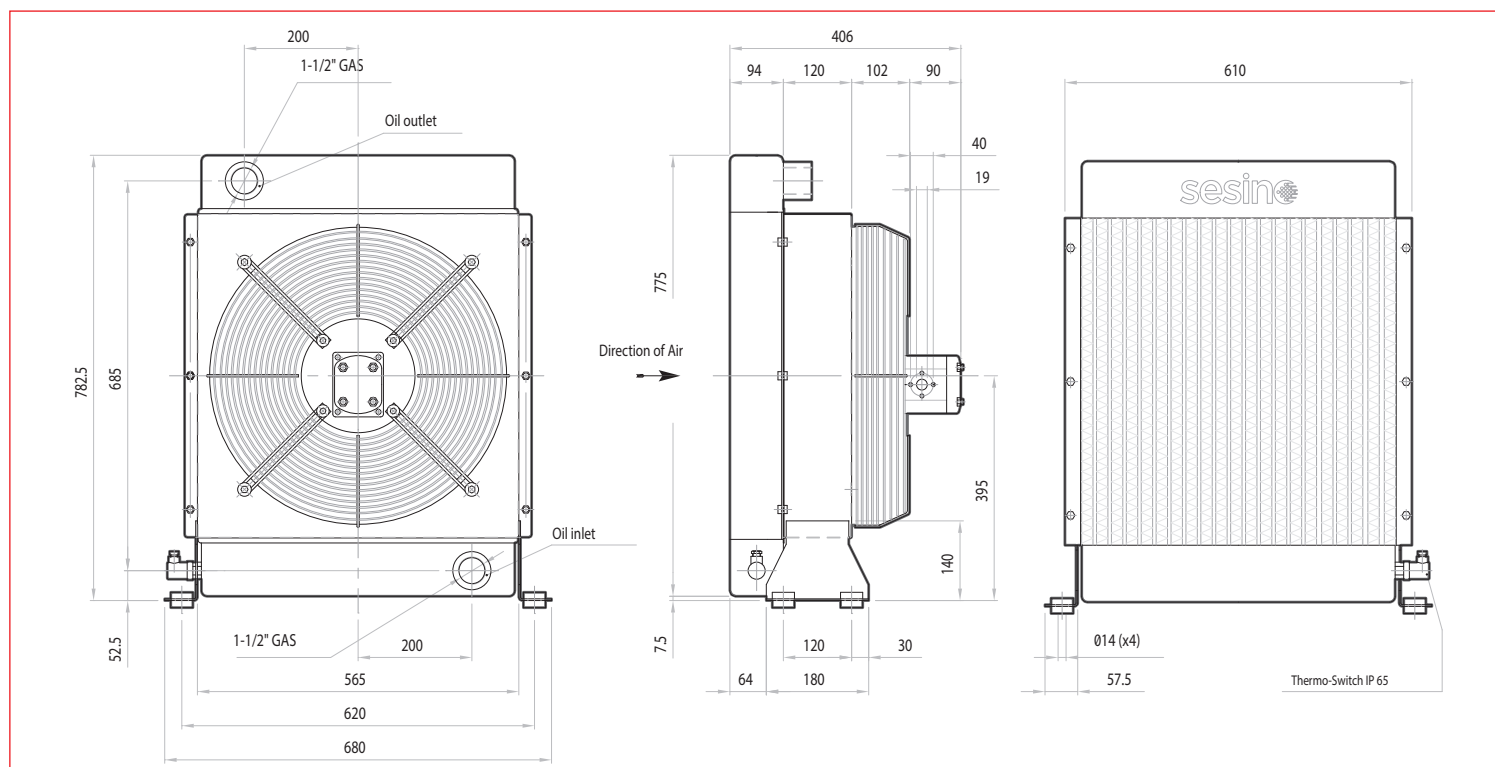
Frame	3CNAP680.1
Shock isolating mounting (4 pcs)	3KIT4135
Electric junction box	1CSSDSAREL
Cooling element	3RNAP680E
Electric fan	1G680I
Thermo-switch 60-49 IP 65	1TRM60-49
Thermo-switch 47-36 IP 65	1TRM47-36
Fan Grill	1RTAP680I



CORRECTION FACTOR

cSt	22	30	46	68	100	150	220
f	0,6	1	1,5	2,3	3,5	5	7

- Dimensions and technical characteristics are not binding



OIL FLOW	FAN SPEED	POWER	DISPLACEMENT	MOTOR FLOW	AIR FLOW	NOISE LEVEL	WEIGHT	CAPACITY	Ø FAN
l/min	rpm	W	cc/r	l/min	m³/h	dB(A)	kg	lt.	mm
100-300	1.450	750	11,3	17	10.000	80	48	15	500