

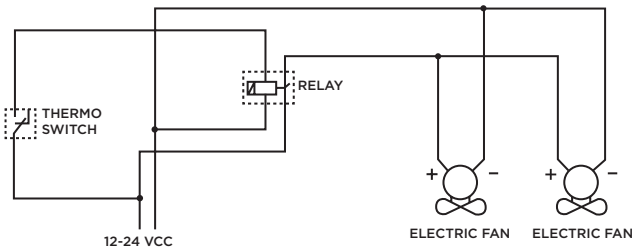
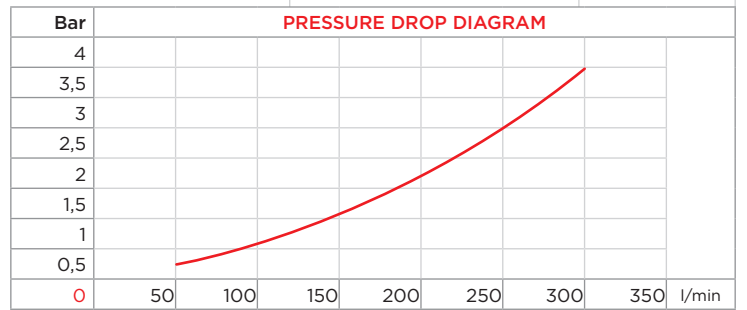
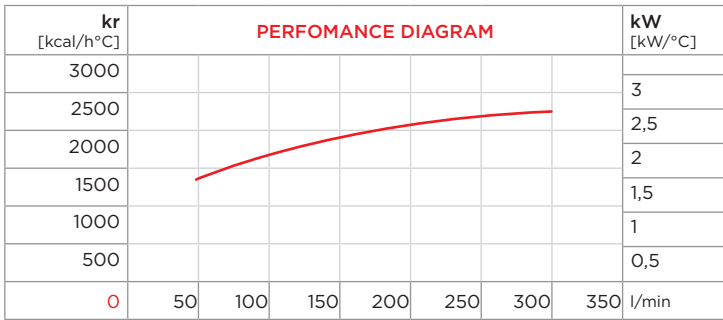
### PURCHASE CODES

APL 2/580 12/24V without thermo switch	3RL2/58012 / 3RL2/58024
APL 2/580 12/24V with thermo switch	3RL2/58012T247 / 3RL2/58024T247 3RL2/58012T260 / 3RL2/58024T260



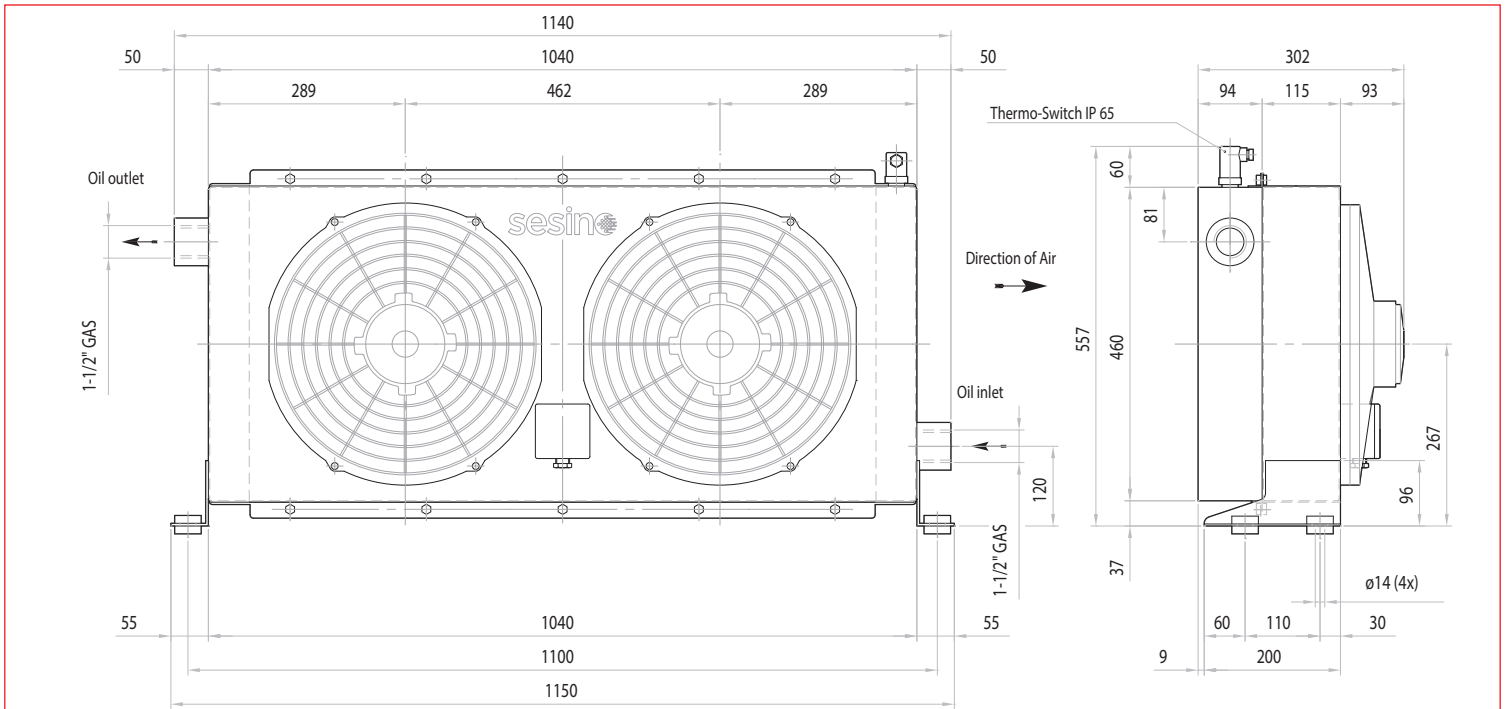
### SPARE PARTS

Thermo-switch 60-49 IP 65	1TRM60-49
Thermo-switch 47-36 IP 65	1TRM47-36
Electric junction box	1CSSDBOPLA
12VDC Relay	1RLCOPAT12
24VDC Relay	1RLCOPAT
Shock isolating mounting (4 pcs)	3KIT4135
Cooling element	1RO00336
Frame	3CNL2/580.1
12VDC Electric fan	1MCVA18AP70AC
24VDC Electric fan	1VNAPL58024C



cSt	22	30	46	68	100	150	220
f	0,6	1	1,5	2,3	3,5	5	7

- Dimensions and technical characteristics are not binding



OIL FLOW	VOLTAGE	POWER	CURRENT	AIR FLOW	ELECTRIC PROTECTION	NOISE LEVEL	WEIGHT	CAPACITY	ø FAN
l/min	V	W	A	m³/h	IP	dB(A)	kg	lt.	mm
30-350	12	480	40	5.800	68	88	60	23	380
30-350	24	480	20	5.800	68	88	60	23	380