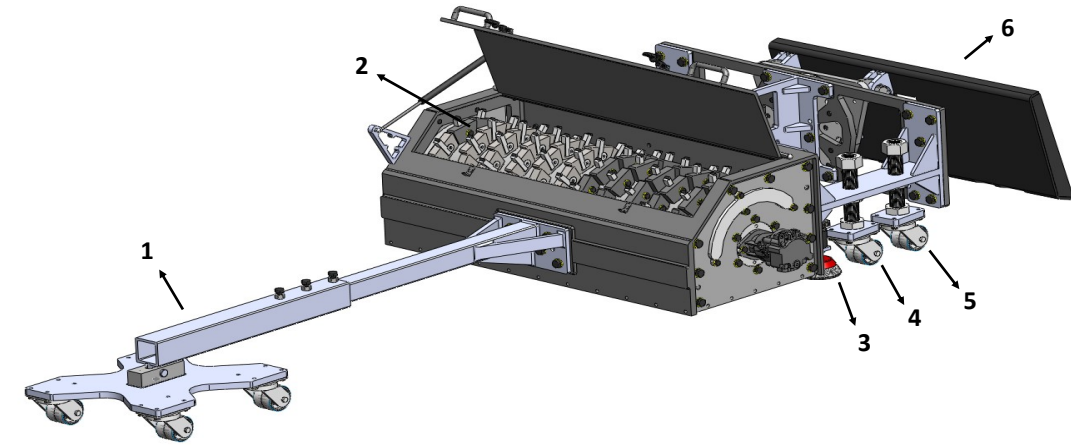




Corrective Grind—IRI Improvement

- **Precise Depth Control**
- **Variable Cutting Widths: 1"-49"**
- **100% Surface Coverage**

- Precisely levels bumps and other irregularities, acts as a profilograph and bump grinder in one
- Utilizes Keystone Engineering's patented Flat Tooth Cutting Technology
- 100% surface coverage, unlike diamond blades and other traditional carbide conical bits and flail cutters
- Minimal surface damage seen when comparing to traditional carbide bits and water blasting equipment
- Equipped with Keystone's Internal Water System for dust control



FL MODEL ILLUSTRATION

Adjustable Averaging Ski	1
Flat Tooth Drum System	2
Sweeper Brush	3
Safety Caster	4
Rear Depth Setting Caster	5
Floating Mounting Plate	6

FL MODEL SPECIFICATIONS

	FL24	FL36	FL48
Grinding Width	0-25"	0-37"	0-49"
Grinding Depth	0-1.5"	0-1.5"	0-1.5"
Number of Bits	72	106	140
Hydraulic Horsepower (HHP) Requirement	45	60	70
Operating Weight (lbs)	2600	3000	3400



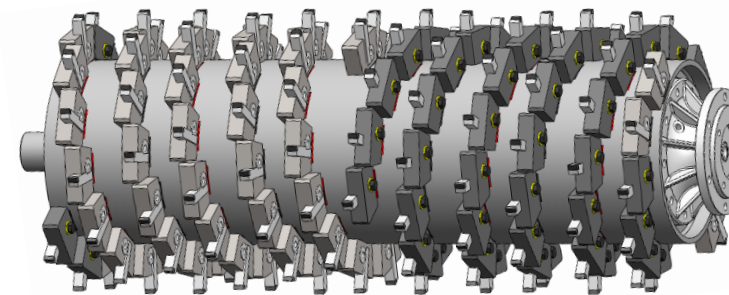
Ensuring accurate pavement depth at Chicago's Midway Airport



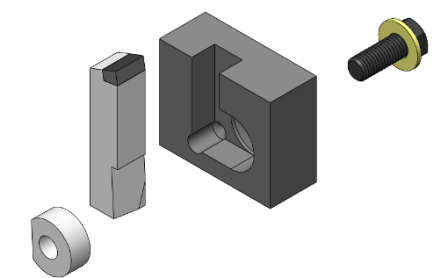
Flatlined Surface



Pavement Markings and Coatings Removal



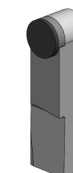
Flat Tooth Drum System— Variable Width Design



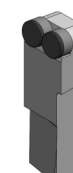
Flat Tooth Quick-Change System



Flat Tooth Carbide/PCD Cutter



Full Round PCD Cutter



Twin PCD Cutter

FLATLINER



PRECISION GRINDING ATTACHMENT



Keystone Engineering & Mfg. Corp.

Corporate: 317-271-6192

Sales: 317-319-7639

info@keystonecutter.com

www.keystonecutter.com

Made in the USA

IDEAL FOR:

- Ride Quality/IRI Improvement
- Maintenance Work/Bump Grinding
- Coatings/Membrane Removal
- Pavement Markings Removal