

DHP 230 CE Powerpack



Diesel power pack

The DHP 230 CE is a diesel driven hydraulic power pack intended to drive an iCON zero resonance vibratory hammer.

The 230 uses a Caterpillar C-6.6 engine with a power rating of 168 kW (230 hp). The engine is fitted with Parker high pressure industrial pump, type PV+, with a capacity of 320 L at 2000 rpm.

The enclosure is made from galvanised steel and offer optimum protection in tropical and marine environments. Several doors provide maintenance access, and for large maintenance work or replacement the complete enclosure can easily be removed. The two certified lifting eyes provide easy transport.

The hydraulic pump is electronic volume controlled to be able to vary the flow from 0-100% by pushbuttons. Properly sized manifolds guarantee a low return pressure, maximizing the efficiency of the unit. Combining the hydraulic oil cooler into the engine cooler further improves the fuel efficiency of the powerpack.

The newly developed IP65 electronic control system with pendant control which completes the power pack. It provides a menu for different applications behind operator passwords. Our smart solution for engine speed control will limit noise and improve fuel efficiency even further !

The powerpack is easily adaptable to drive other functions, like winches, hydraulic hammers or pump drive.

These power packs are of course built according to the CE regulations (including the noise requirement), quality management standard ISO9001 and good workmanship.

SPECIFICATIONS



DIESEL DRIVE

Make and model	Caterpillar C6.6 ACERT
Emissions	Tier3 StageIIIA
Type	water cooled, direct injection
Aspiration	turbo charged and inter cooled
No. of cylinders	6
Power	168 kW, C rating (intermittent)



ELECTRIC SYSTEM

System	24 VDC
Batteries	2 x 12 VDC, 120 Ah
Alternator	70 A
PLC	IFM
Protection Rating	IP65



HYDRAULIC SYSTEM

Open circuit system for maximum cooling and filtering efficiency. Variable displacement pump for optimum power consumption and smooth operation.

Make and model	Parker PV+, 1 x 180 cc
Regulator	Electronic displacement control
Maximum flow	320 l/min
Auxiliary flow	25 l/min
Pressure	330 bar
Full flow return filter	10 microns



COOLING SYSTEM

The hydraulic oil cooler is combined with the engine cooler and provides ample capacity without using auxiliary power to drive extra cooler fans.



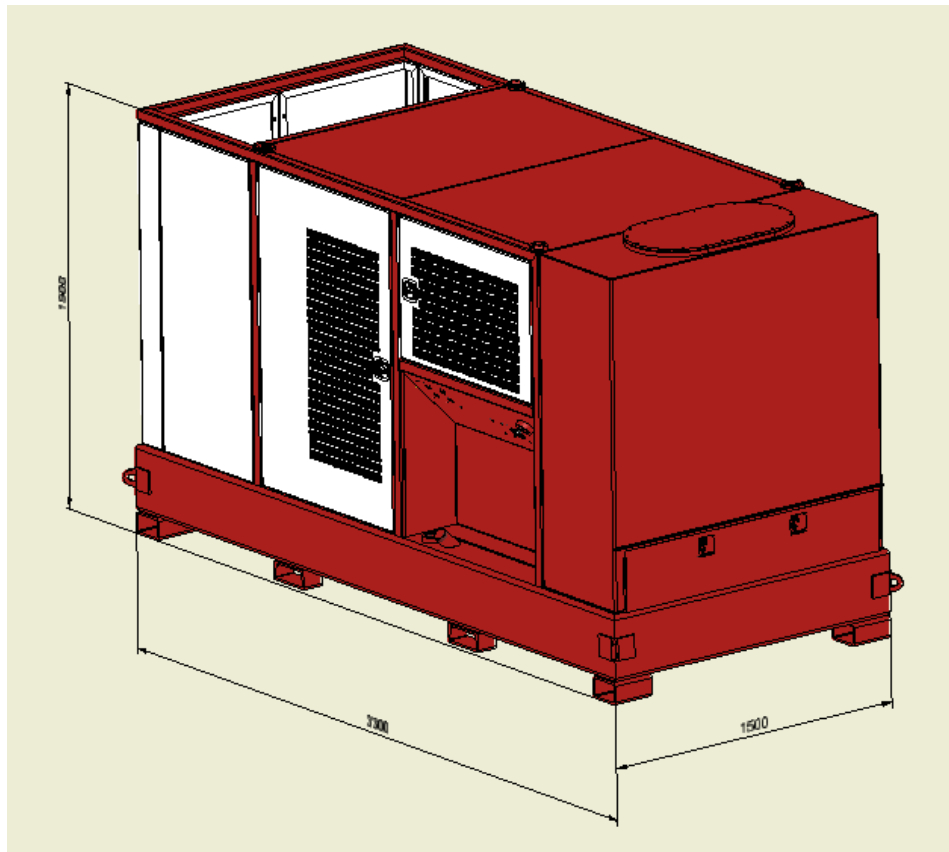
SERVICE CAPACITY

Fuel tank	400 l
Hydraulic oil tank	600 l
Engine oil	20 l
Engine coolant	35 l

DIMENSIONS

Weight	5000 kg empty
Length	3220 mm
Width	1450 mm
Height	1620 mm

Materials and specifications are subject to change without notice.



CONTACT INFORMATION & DEALERS

EUROPE

Coverage Area: Europe
Company: iCON® Foundation Equipment
Telephone: +31 162 58 23 24
Contact: Hendrik de Vink
Website: www.iconfe.eu

Coverage: Germany
Company: Hamburger Baumaschinen GmbH
Telephone: +49 4327 9992220
Contact: Frank Buss
Website: www.hamburger-baumaschinen.de

Coverage Area: Italy
Company: TIMECO, Srl
Telephone: +39 02 9538 4064
Contact: Silvio Schmalzbauer
Website: www.timecosrl.it

Coverage: Poland
Company: Archon
Telephone: +48 (0)32 7199134
Contact: Wieslaw Lizoczyk
Website: www.archonspzoo.pl

Coverage: Turkey
Company: Gruptekno
Telephone: +90 216 3403400
Contact: Sait Gonen
Website: www.gruptekno.com

Coverage Area: United Kingdom & Ireland
Company: Dawson Construction Plant LTD
Telephone: +44 (0) 1908 240300
Contact: Tim Moore
Website: www.dcpuk.com

Coverage Area: Ukraine & Russian Fed.
Company: iCON® Foundation Equip, BV
Telephone: +31 (0) 162 582324
Contact: Saltanat Omarova
Website: www.iconfe.eu

Coverage Area: Netherlands
Company: iCON® Foundation Equipment
Telephone: +31 162 58 23 24
Contact: Hendrik de Vink
Website: www.iconfe.eu

SOUTHEAST & ASIA

Coverage Area: Singapore, Thailand, Indonesia
Company: ICE FE PTE LTD
Telephone: 65 6861-3733
Contact: Lim Thian Fatt & Hah Hen Khean
Website: www.icefe.com

Coverage Area: Malaysia, Brunei
Company: ICE FE Sdn Bhd
Telephone: 603-9133 2618
Contact: Mr. Johnny Choy Shun Yeong
Website: www.icefe.com

Coverage Area: India
Company: Suretech Global
Telephone: +91 22 27420045
Contact: Sunil Newatia & Surajit Mukherjee
Website: www.suretech.co.in

Coverage Area: Philippines, Vietnam, Laos, Pakistan
Company: ICE FE PTE LTD
Telephone: 65 6861-3733
Contact: Lim Thian Fatt & Hah Hen Khean
Website: www.icefe.com

Coverage Area: China, Hong Kong, Taiwan,
Company: ICE FE PTE LTD
Telephone: 65 6861-3733
Contact: Lim Thian Fatt & Hah Hen Khean
Website: www.icefe.com

Coverage Area: Japan
Company: ICE, Inc.
Telephone: 1-704-821-8200
Contact: Jim Ziemer
Website: www.iceusa.com

AUSTRALIA

Coverage Area: Australia & New Zealand
Company: PILEQUIP Australia Pty Ltd.
Telephone: +61 (0) 2 9838 3144
Contact: Brett Camm
Website: www.pilequip.com.au

AFRICA

Coverage Area: Egypt, South Africa & Nigeria
Company: ICE, Inc.
Telephone: 1-704-821-8200
Contact: Jim Ziemer
Website: www.iceusa.com

SOUTH & CENTRAL AMERICA

Coverage Area: Brazil, Colombia
Company: ICE, Inc.
Telephone: 1-704-821-8200
Contact Name: Jim Ziemer
Website: www.iceusa.com

Coverage Area: Chile, Ecuador, Venezuela, Panama
Company: ICE, Inc.
Telephone: 1-713-828-4164
Contact Name: Rick Garcia
Website: www.iceusa.com

MIDDLE EAST

Coverage Area: Middle East
Company: iCON® Foundation Equipment
Telephone: +31 162 58 23 24

Contact: Hendrik de Vink
Website: www.iconfe.eu