



CABLING GUIDE

Field-IQ™ Crop Input Control System

CABLING GUIDE

Field-IQ™ Crop Input Control System

Version 1.00
Revision A
February 2010

Contact Information

Trimble Navigation Limited
Trimble Agriculture Division
10355 Westmoor Drive
Suite #100
Westminster, CO 80021
USA

trimble_support@trimble.com
www.EZ-Guide.com

Legal Notices

Copyright and Trademarks

© 2010, Trimble Navigation Limited. All rights reserved.

Trimble, the Globe and Triangle logo, AgGPS, EZ-Boom, EZ-Guide, and EZ-Steer are trademarks of Trimble Navigation Limited, registered in the United States and in other countries. Autopilot, Field-IQ, FmX, TrueGuide, TrueTracker, and Tru Application Control are trademarks of Trimble Navigation Limited.

All other trademarks are the property of their respective owners.

This product is covered by the following United States Patent Numbers: 5,311,149, 5,369,589, 5,987,383, 6,252,863, 5,402,450, 5,493,588, and 6,463,374. Other patents pending.

Release Notice

This is the February 2010 release (Revision A) of the *Field-IQ Crop Input Control System*. It applies to version 1.00 of the FmX integrated display firmware.

LIMITED WARRANTY TERMS AND CONDITIONS

Product Limited Warranty

Trimble Navigation Limited ("Trimble") warrants that this product and its internal components (the "Product") shall be free from defects in materials and workmanship and will substantially conform to Trimble's applicable published specifications for the Product for a period of two (2) years, starting from the earlier of (i) the date of installation, or (ii) six (6) months from the date of original Product shipment from Trimble.

Product Software

Product software, whether built into hardware circuitry as firmware, provided as a standalone computer software product, embedded in flash memory, or stored on magnetic or other media, is licensed solely for use with or as an integral part of the Product and is not sold. If accompanied by a separate end user license agreement ("EULA"), use of any such software will be subject to the terms of such end user license agreement (including any differing limited warranty terms, exclusions, and limitations), which shall control over the terms and conditions set forth in this limited warranty.

Software Fixes

During the limited warranty period you will be entitled to receive such Fixes to the Product software that Trimble releases and makes commercially available and for which it does not charge separately, subject to the procedures for delivery to purchasers of Trimble products generally. If you have purchased the Product from an authorized Trimble dealer rather than from Trimble directly, Trimble may, at its option, forward the software Fix to the Trimble dealer for final distribution to you. Minor Updates, Major Upgrades, new products, or substantially new software releases, as identified by Trimble, are expressly excluded from this update process and limited warranty. Receipt of software Fixes or other enhancements shall not serve to extend the limited warranty period.

For purposes of this warranty the following definitions shall apply: (1) "Fix(es)" means an error correction or other update created to fix a previous software version that does not substantially conform to its Trimble specifications; (2) "Minor Update" occurs when enhancements are made to current features in a software program; and (3) "Major Upgrade" occurs when significant new features are added to software, or when a new product containing new features replaces the further development of a current product line. Trimble reserves the right to determine, in its sole discretion, what constitutes a Fix, Minor Update, or Major Upgrade.

Warranty Remedies

If the Trimble Product fails during the warranty period for reasons covered by this limited warranty and you notify Trimble of such failure during the warranty period, Trimble will repair OR replace the nonconforming Product with new, equivalent to new, or reconditioned parts or Product, OR refund the Product purchase price paid by you, at Trimble's option, upon your return of the Product in accordance with Trimble's product return procedures then in effect.

How to Obtain Warranty Service

To obtain warranty service for the Product, please contact your local Trimble authorized dealer. Alternatively, you may contact Trimble to request warranty service at +1-408-481-6940 (24 hours a day) or e-mail your request to trimble_support@trimble.com. Please be prepared to provide:

- your name, address, and telephone numbers
- proof of purchase
- a copy of this Trimble warranty
- a description of the nonconforming Product including the model number
- an explanation of the problem

The customer service representative may need additional information from you depending on the nature of the problem.

Warranty Exclusions and Disclaimer

This Product limited warranty shall only apply in the event and to the extent that (a) the Product is properly and correctly installed, configured, interfaced, maintained, stored, and operated in accordance with Trimble's applicable operator's manual and specifications, and; (b) the Product is not modified or misused. This Product limited warranty shall not apply to, and Trimble shall not be responsible for, defects or performance problems resulting from (i) the combination or utilization of the Product with hardware or software products, information, data, systems, interfaces, or devices not made, supplied, or specified by Trimble; (ii) the operation of the Product under any specification other than, or in addition to, Trimble's standard specifications for its products; (iii) the unauthorized installation, modification, or use of the Product; (iv) damage caused by: accident, lightning or other electrical discharge, fresh or salt water immersion or spray (outside of Product specifications); or exposure to environmental conditions for which the Product is not intended; (v) normal wear and tear on consumable parts (e.g., batteries); or (vi) cosmetic damage. Trimble does not warrant or guarantee the results obtained through the use of the Product, or that software components will operate error free.

NOTICE REGARDING PRODUCTS EQUIPPED WITH TECHNOLOGY CAPABLE OF TRACKING SATELLITE SIGNALS FROM SATELLITE BASED AUGMENTATION SYSTEMS (SBAS) (WAAS/EGNOS, AND MSAS), OMNISTAR, GPS, MODERNIZED GPS OR GLONASS SATELLITES, OR FROM IALA BEACON SOURCES: TRIMBLE IS NOT RESPONSIBLE FOR THE OPERATION OR FAILURE OF OPERATION OF ANY SATELLITE BASED POSITIONING SYSTEM OR THE AVAILABILITY OF ANY SATELLITE BASED POSITIONING SIGNALS.

THE FOREGOING LIMITED WARRANTY TERMS STATE TRIMBLE'S ENTIRE LIABILITY, AND YOUR EXCLUSIVE REMEDIES, RELATING TO THE TRIMBLE PRODUCT. EXCEPT AS OTHERWISE EXPRESSLY PROVIDED HEREIN, THE PRODUCT, AND ACCOMPANYING DOCUMENTATION AND MATERIALS ARE PROVIDED "AS-IS" AND WITHOUT EXPRESS OR IMPLIED WARRANTY OF ANY KIND, BY EITHER TRIMBLE OR ANYONE WHO HAS BEEN INVOLVED IN ITS CREATION, PRODUCTION, INSTALLATION, OR DISTRIBUTION, INCLUDING, BUT NOT LIMITED TO, THE IMPLIED WARRANTIES OF MERCHANTABILITY AND FITNESS FOR A PARTICULAR PURPOSE, TITLE, AND NON-INFRINGEMENT. THE STATED EXPRESS WARRANTIES ARE IN LIEU OF ALL OBLIGATIONS OR LIABILITIES ON THE PART OF TRIMBLE ARISING OUT OF, OR IN CONNECTION WITH, ANY PRODUCT. BECAUSE SOME STATES AND JURISDICTIONS DO NOT ALLOW LIMITATIONS ON DURATION OR THE EXCLUSION OF AN IMPLIED WARRANTY, THE ABOVE LIMITATION MAY NOT APPLY OR FULLY APPLY TO YOU.

Limitation of Liability

TRIMBLE'S ENTIRE LIABILITY UNDER ANY PROVISION HEREIN SHALL BE LIMITED TO THE AMOUNT PAID BY YOU FOR THE PRODUCT. TO THE MAXIMUM EXTENT PERMITTED BY APPLICABLE LAW, IN NO EVENT SHALL TRIMBLE OR ITS SUPPLIERS BE LIABLE FOR ANY INDIRECT, SPECIAL, INCIDENTAL, OR CONSEQUENTIAL DAMAGE WHATSOEVER UNDER ANY CIRCUMSTANCE OR LEGAL THEORY RELATING IN ANYWAY TO THE PRODUCTS, SOFTWARE AND ACCOMPANYING DOCUMENTATION AND MATERIALS, (INCLUDING, WITHOUT LIMITATION, DAMAGES FOR LOSS OF BUSINESS PROFITS, BUSINESS INTERRUPTION, LOSS OF DATA, OR ANY OTHER PECUNIARY LOSS), REGARDLESS OF WHETHER TRIMBLE HAS BEEN ADVISED OF THE POSSIBILITY OF ANY SUCH LOSS AND REGARDLESS OF THE COURSE OF DEALING WHICH DEVELOPS OR HAS DEVELOPED BETWEEN YOU AND TRIMBLE. BECAUSE SOME STATES AND JURISDICTIONS DO NOT ALLOW THE EXCLUSION OR LIMITATION OF LIABILITY FOR CONSEQUENTIAL OR INCIDENTAL DAMAGES, THE ABOVE LIMITATION MAY NOT APPLY TO YOU.

PLEASE NOTE: THE ABOVE TRIMBLE LIMITED WARRANTY PROVISIONS WILL NOT APPLY TO PRODUCTS PURCHASED IN THOSE JURISDICTIONS (E.G., MEMBER STATES OF THE EUROPEAN ECONOMIC AREA) IN WHICH PRODUCT WARRANTIES ARE THE RESPONSIBILITY OF THE LOCAL TRIMBLE AUTHORIZED DEALER FROM WHOM THE PRODUCTS ARE ACQUIRED. IN SUCH A CASE, PLEASE CONTACT YOUR LOCAL TRIMBLE AUTHORIZED DEALER FOR APPLICABLE WARRANTY INFORMATION.

Official Language

THE OFFICIAL LANGUAGE OF THESE TERMS AND CONDITIONS IS ENGLISH. IN THE EVENT OF A CONFLICT BETWEEN ENGLISH AND OTHER LANGUAGE VERSIONS, THE ENGLISH LANGUAGE SHALL CONTROL.

Registration

To receive information regarding updates and new products, please contact your local dealer or visit the Trimble website at www.trimble.com/register. Upon registration you may select the newsletter, upgrade, or new product information you desire.

Notices

Federal Communications Commission (FCC) Statement

Note: This equipment has been tested and found to comply with the limits for a Class A digital device, pursuant to Part 15 of the FCC Rules. These limits are designed to provide reasonable protection against harmful interference when the equipment is operated in a commercial environment. This equipment generates, uses, and can radiate radio frequency energy and, if not installed and used in accordance with the instruction manual, may cause harmful interference to radio communications. Operation of this equipment in a residential area is likely to cause harmful interference, in which case the user will be required to correct the interference at his own expense.

Properly shielded and grounded cables and connectors must be used in order to meet FCC emission limits. TRIMBLE is not responsible for any radio or television interference caused by using other than recommended cables and connectors or by unauthorized changes or modifications to this equipment. Unauthorized changes or modifications could void the user's authority to operate the equipment.

This device complies with Part 15 of the FCC rules. Operation is subject to the following two conditions: (1) this device may not cause harmful interference, and (2) this device must accept any interference received, including interference that may cause undesired operation.

Responsible Party:

Trimble Navigation

935 Stewart Drive

Sunnyvale CA 94085

Telephone: 1-408 481 8000

Industry Canada Compliance Statement

This Class A digital apparatus meets the requirements of the Canadian Interference-Causing Equipment Regulations.

Avis de conformité à la réglementation d'Industrie Canada

Cet appareil numérique de la classe A respecte toutes les exigences du Règlement sur le matériel brouilleur du Canada.

European Community Compliance Statement

This product is in conformity with the protection requirements of EU Council Directive 89/336/EEC on the approximation of the laws of the Member States relating to electromagnetic compatibility. TRIMBLE cannot accept responsibility for any failure to satisfy the protection requirements resulting from a non-recommended modification of the product, including the fitting of non-TRIMBLE option cards.

Australia and New Zealand Class A Statement

Attention: This is a Class A product. In a domestic environment this product may cause radio interference in which case the user may be required to take adequate measures.

Notice to Our European Union Customers

For product recycling instructions and more information, please go to www.trimble.com/ev.shtml.

Recycling in Europe: To recycle Trimble WEEE (Waste Electrical and Electronic Equipment, products that run on electrical power), Call +31 497 53 24 30, and ask for the "WEEE Associate". Or, mail a request for recycling instructions to:

Trimble Europe BV
c/o Menlo Worldwide Logistics
Meerheide 45
5521 DZ Eersel, NL



Restriction of Use of Certain Hazardous Substances in Electrical and Electronic Equipment (RoHS)

This Trimble product complies in all material respects with DIRECTIVE 2002/95/EC OF THE EUROPEAN PARLIAMENT AND OF THE COUNCIL of 27 January 2003 on the restriction of the use of certain hazardous substances in electrical and electronic equipment (RoHS Directive) and Amendment 2005/618/EC filed under C(2005) 3143, with exemptions for lead in solder pursuant to Paragraph 7 of the Annex to the RoHS Directive applied.

Declaration of Conformity

We, Trimble Navigation Limited,

935 Stewart Drive

PO Box 3642

Sunnyvale, CA 94088-3642

United States

+1-408-481-8000

declare under sole responsibility that the product:
FmX integrated display complies with Part 15
of FCC Rules.

Operation is subject to the following two conditions:

- (1) this device may not cause harmful interference, and
- (2) this device must accept any interference received, including interference that may cause undesired operation.

Contents

1	Field-IQ System Cab Kit	7
	FmX integrated display	8
	EZ-Guide 500 lightbar	9
	FmX integrated display and power relay	10
	Articulating and Track Tractors	11
	EZ-Guide 500 lightbar and EZ-Steer assisted steering system	12
2	Field-IQ System on a Planter or Liquid Strip Till	15
	Rawson PAR 2 drives	16
	Tru Count Air Clutches or Tru Count LiquiBlock system	17
3	Field-IQ System on a Fertilizer Spreader	19
	Single Rawson PAR 40 system	20
	FmX integrated display	21
	EZ-Guide 500 lightbar	22
4	Cable Schematics	25
	62817 Lightbar power cable	26
	75522 (part A) CAN-TBC active terminator cable (with power)	27
	75522 (part B) CAN-TBC active terminator cable (with power)	28
	75527 Rawson module tee cable	30
	75528-xx CAN-power extension cable	31
	75529 Implement terminator kit (includes P/N 75491)	32
	75531 Rawson motor CPC to DTM cable	33
	75743 Power cable with switch	34
	75834 FmX integrated display to Field-IQ cable	35
	76859 Switching module to Tru Count Clutch Module	36
	76941 Cable assembly, power to hitch connection	37
	77368 Cable assembly, CAN cab to hitch connection	38
	77413 Cable assembly IBRC to DTP adapter (optional Powell Connector)	39
	77533 Cable assembly, dual relay power cutoff	40
	77543-xx Implement Status Switch Extension Cable	41
	77611 Implement harness (Powell adaptor) - implement side	42
	77636 Whisker switch	43

Contents

Field-IQ System Cab Kit

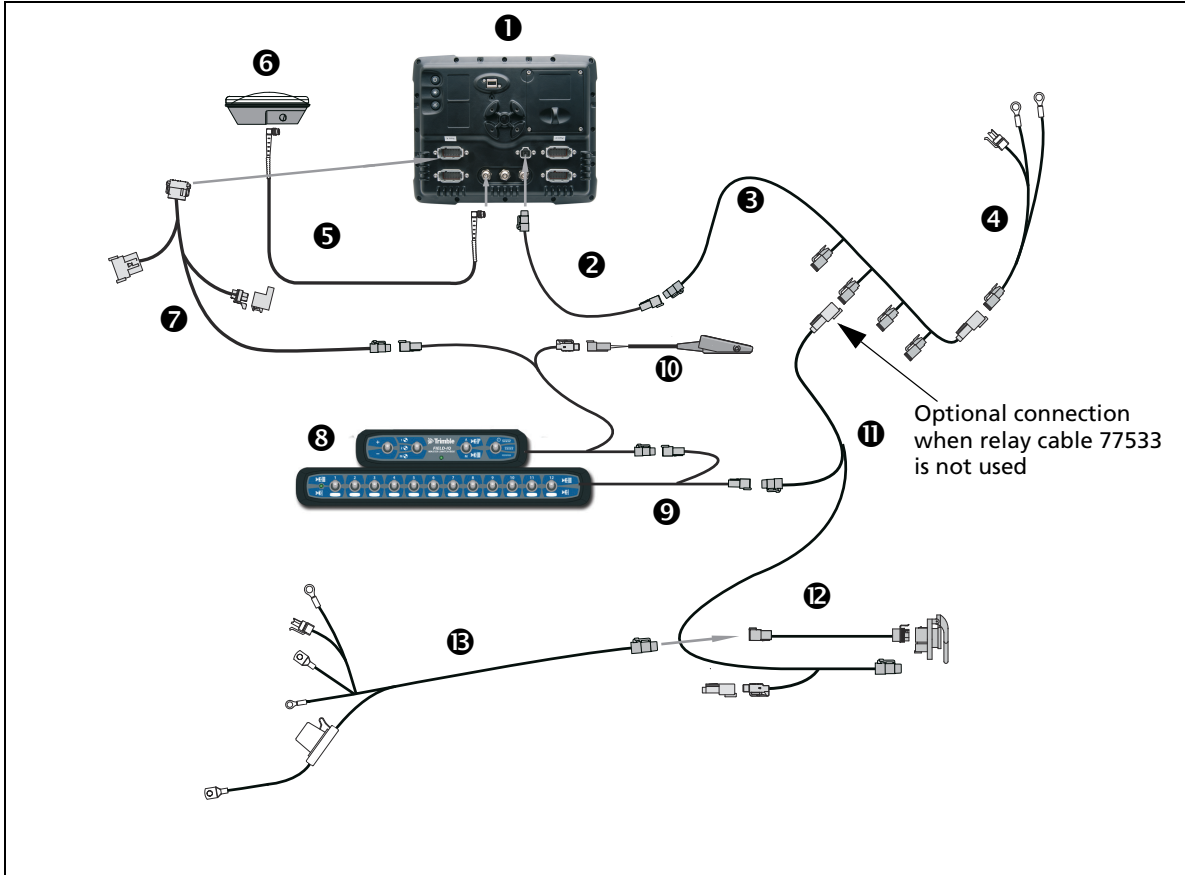
In this chapter:

- FmX integrated display
- EZ-Guide 500 lightbar
- FmX integrated display and power relay
- Articulating and Track Tractors
- EZ-Guide 500 lightbar and EZ-Steer assisted steering system

This chapter describes how to connect the Field-IQ Crop Input Control System with an FmX integrated display, an EZ-Guide 500 lightbar, a power relay, or an EZ-Steer assisted steering system.

FmX integrated display

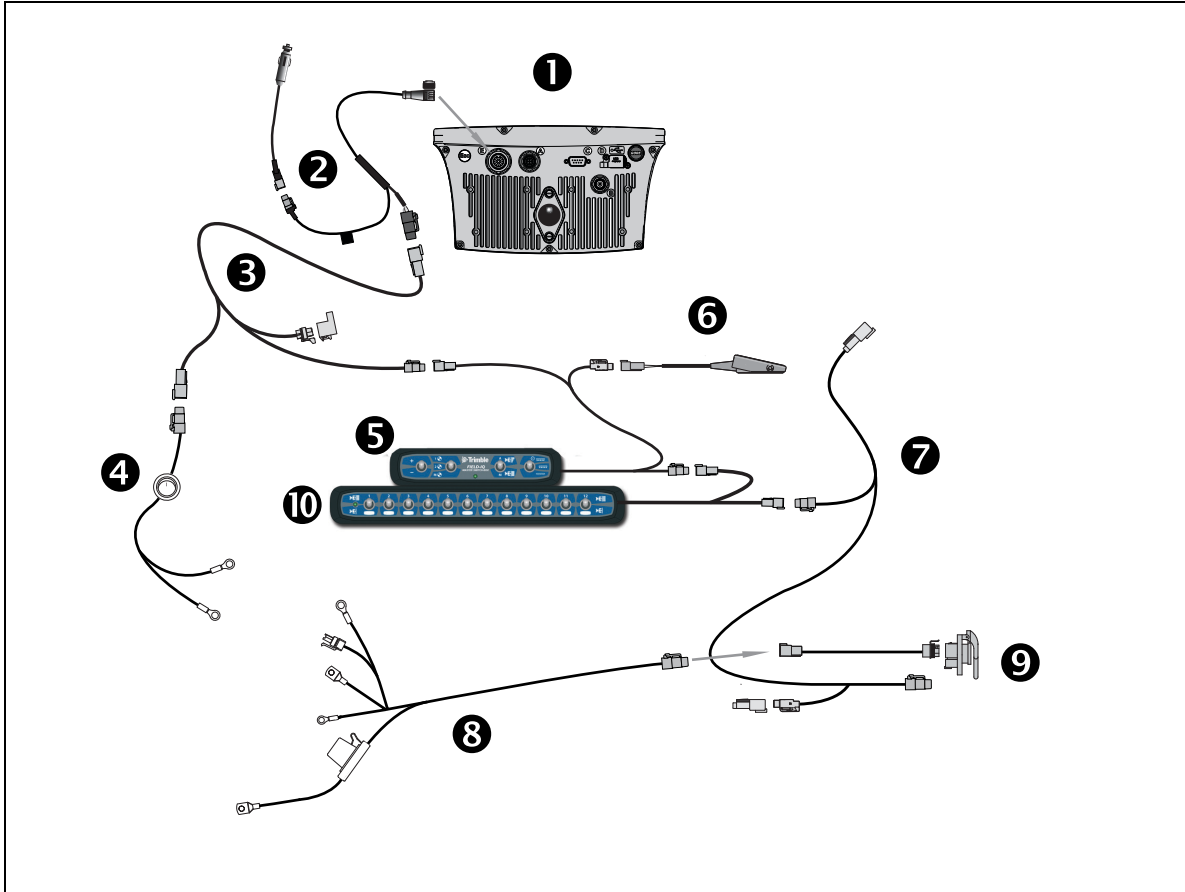
This diagram shows how to connect a FmX integrated display to the Field-IQ system:



Item	Description	Trimble part number
1	FmX Integrated display	93100-01
2	FmX power cable	66694
3	Power bus	67259
4	Basic power cable	67258
5	8 m GPS TNC/TNC RT angle cable	50449
6	Ag25 GNSS Antenna	68040-005
7	FmX integrated display to Field-IQ cable	75834
8	Field-IQ master switch box	75050-01
9	Optional: 12 section switch box	75060-01
10	Optional: remote foot switch	60490
11	Cable assembly, CAN cab to hitch connection	77368
12	Cable assembly, IBRC to DTP adapter (optional Powell Connector)	77413
13	Cable assembly, power to hitch connection	76941

EZ-Guide 500 lightbar

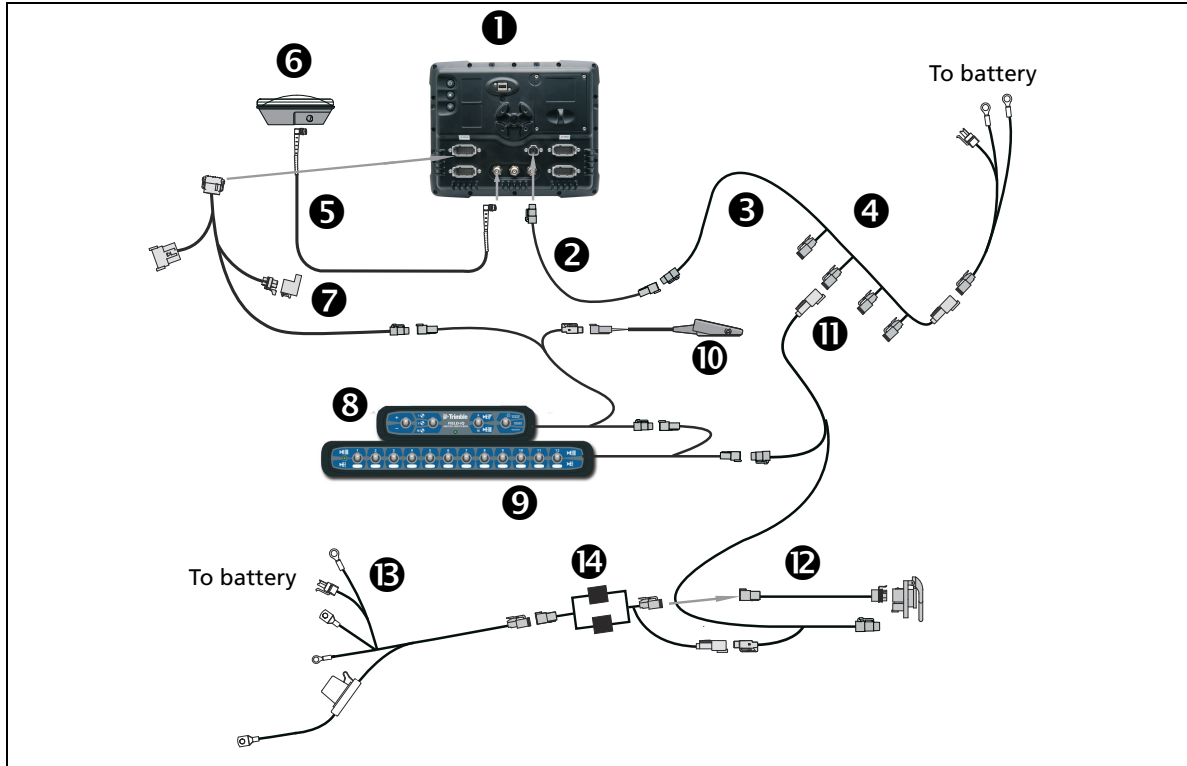
This diagram shows how to connect an EZ-Guide 500 lightbar to the Field-IQ system:



Item	Description	Trimble part number
1	EZ-Guide 500 lightbar	66100-xx
2	Lightbar power cable	62817
3	CAN-TBC active terminator cable (with power)	75522
4	Power cable with switch	75743
5	Field-IQ master switch box	75050-01
6	Optional: remote foot switch	60490
7	Cable assembly, CAN cab to hitch connection	77368
8	Cable assembly, power to hitch connection	76941
9	Cable assembly, IBRC to DTP adapter (optional Powell Connector)	77413
10	Optional: 12 section switch box	75060-01

FmX integrated display and power relay

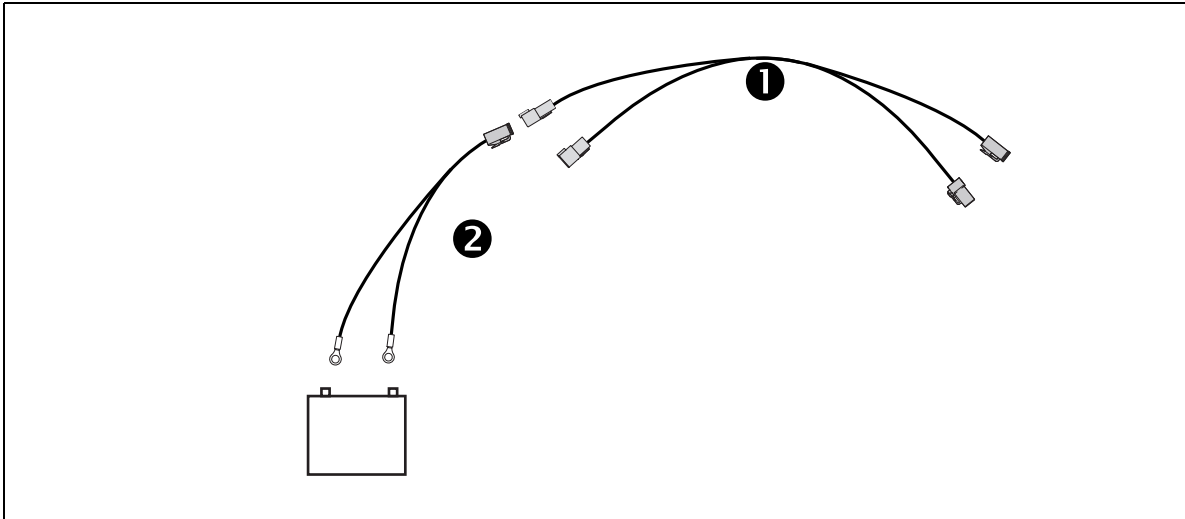
This diagram shows how to connect an FmX integrated display to the Field-IQ system with a power relay:



Item	Description	Trimble part number
①	FmX integrated display	93100-01
②	FmX power cable	66694
③	Power bus	67259
④	Basic power cable	67258
⑤	8 m GPS TNC/TNC RT angle cable	50449
⑥	Ag25 GNSS Antenna	68040-00S
⑦	FmX integrated display to Field-IQ cable	75834
⑧	Field-IQ master switch box	75050-01
⑨	Optional: 12 section switch box	75060-01
⑩	Optional: remote foot switch	60490
⑪	Cable assembly, CAN cab to hitch connection	77368
⑫	Cable assembly, IBRC to DTP adapter (optional Powell connector)	77413
⑬	Cable assembly, power to hitch connection	76941
⑭	Cable assembly, dual relay power cutoff	77533

Articulating and Track Tractors

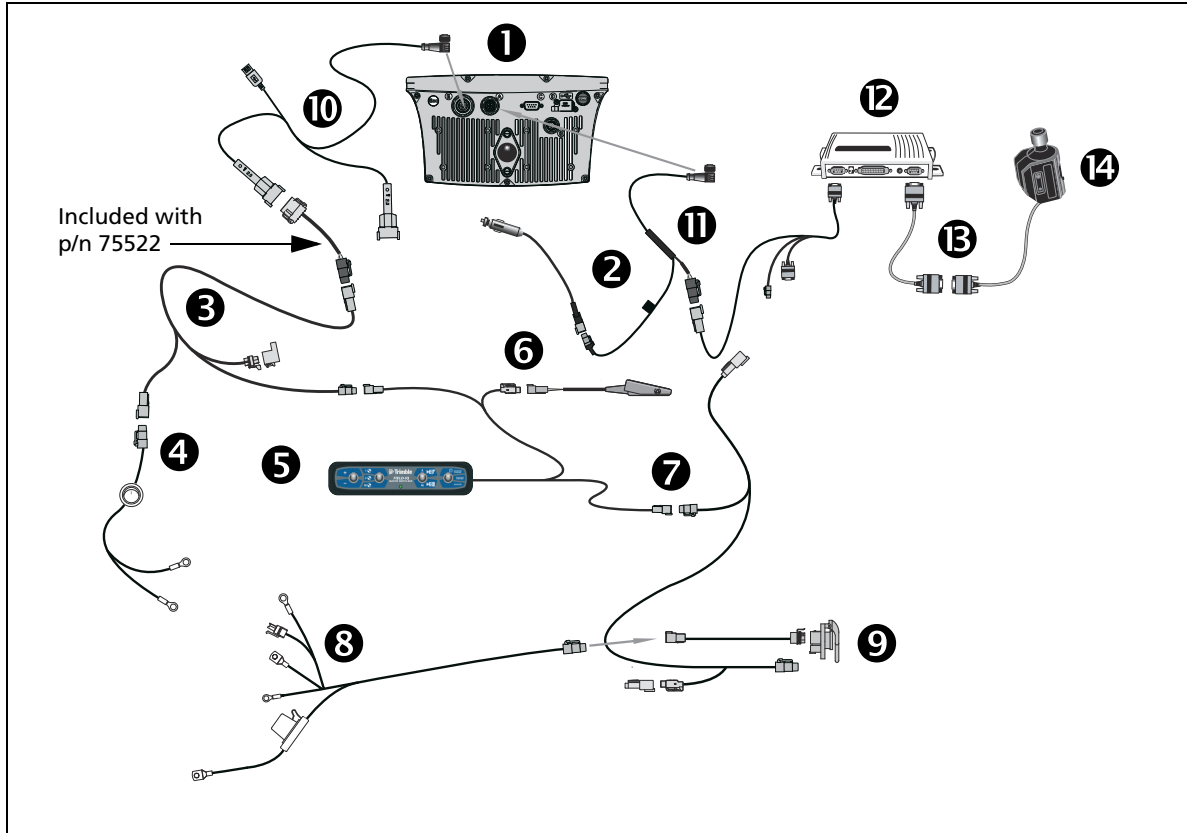
An additional implement hitch extension cable may be required to extend the length of the battery adapter harness to the rear of the vehicle.



Item	Description	Trimble part number
①	CAN-power extension cable	75528-xx
②	Cable assembly, power to hitch connection	76941

EZ-Guide 500 lightbar and EZ-Steer assisted steering system

This diagram shows how to connect the Field-IQ system to an EZ-Steer assisted steering system and EZ-Guide 500 lightbar:



Item	Description	Trimble part number
①	EZ-Guide 500 lightbar	66100-xx
②	Lightbar power cable	62817
③	CAN-TBC active terminator cable (with power)	75522
④	Power cable with switch	75743
⑤	Field-IQ master switch box	75050-01
⑥	Optional: remote foot switch	60490
⑦	Cable assembly, CAN cab to hitch connection	77368
⑧	Cable assembly, power to hitch connection	76941
⑨	Cable assembly, IBRC to DTP adapter (optional Powell connector)	77413
⑩	Port expansion cable	62609
⑪	EZ-Steer extension cable	62974
⑫	EZ-Steer controller	

Item	Description	Trimble part number
⑬	EZ-Steer motor cable	62257
⑭	EZ-Steer motor	53058-00

Field-IQ System on a Planter or Liquid Strip Till

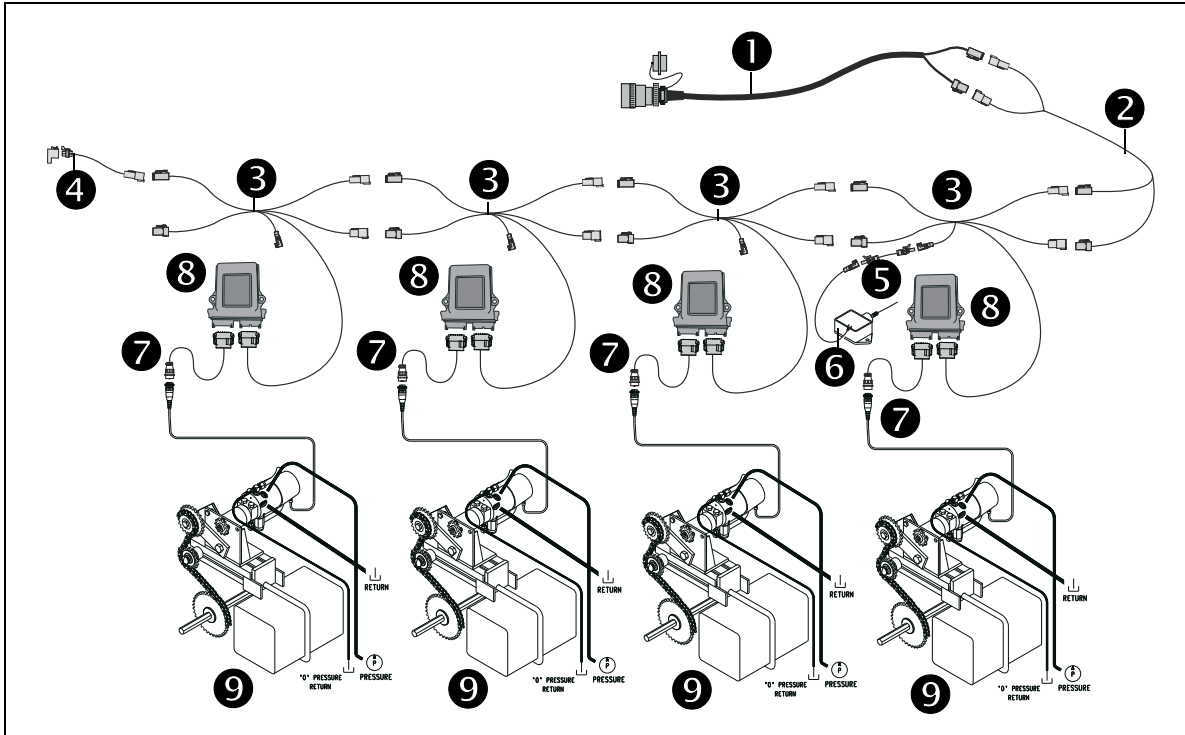
In this chapter:

- [Rawson PAR 2 drives](#)
- [Tru Count Air Clutches or Tru Count LiquiBlock system](#)

This chapter describes how to connect the Field-IQ system on a planter or Liquid Strip Till to Rawson PAR 2 drives, Tru Count Air Clutches, or Tru Count LiquiBlock system.

Rawson PAR 2 drives

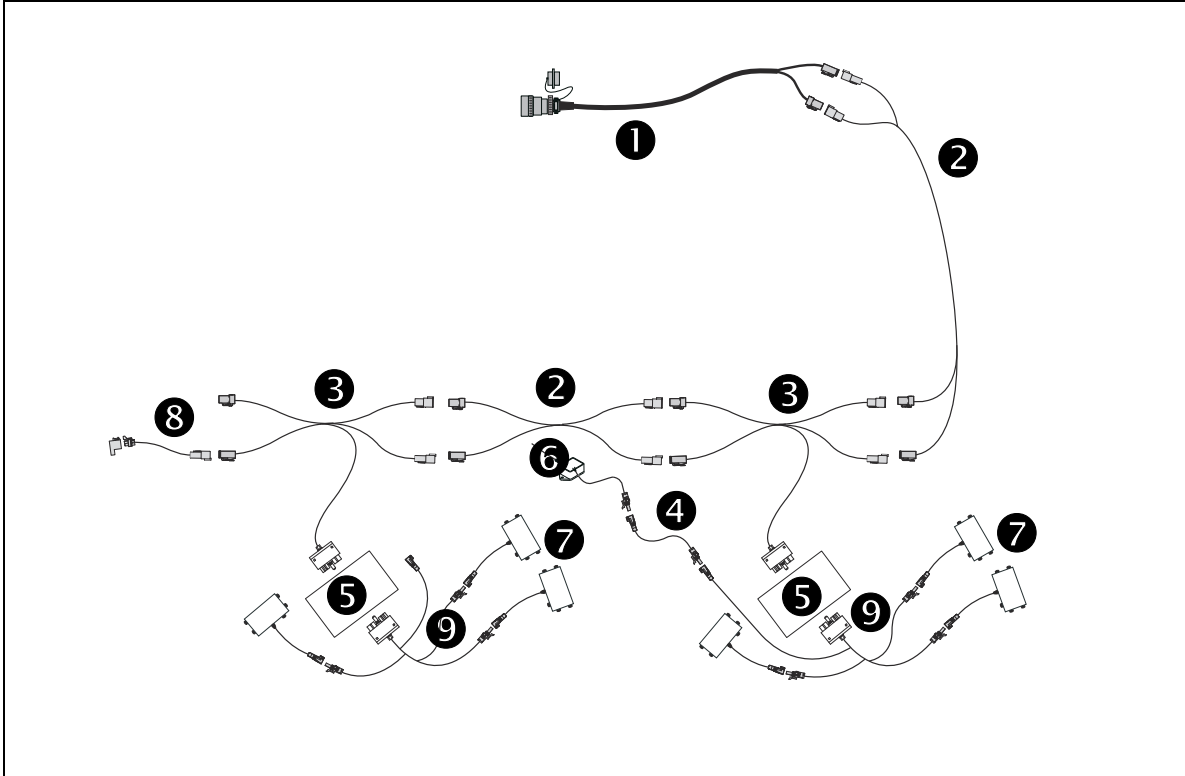
This figure shows how to connect a Field-IQ system on a Planter or Liquid Strip Till to Rawson PAR 2 drives:



	Description	Trimble part number
1	Implement harness (Powell adaptor) - implement side	77611
2	CAN-power extension cable	75528-xx
3	Rawson module tee cable	75527
4	Implement terminator kit (includes P/N 75491)	75529
5	20' implement switch extension cable	75542
6	Whisker switch	77636
7	Rawson motor CPC to DTM cable	75531
8	Rawson control module	75070-00
9	Rawson PAR 2 motor	300499

Tru Count Air Clutches or Tru Count LiquiBlock system

This figure shows how to connect a Field-IQ integrated display on a Planter or Liquid Strip Till to Tru Count Air Clutches or a Tru Count LiquiBlock system:



Item	Description	Trimble part number
①	Implement harness (Powell adaptor) - implement side	77611
②	CAN-power extension cable	75528-xx
③	CAN-T Magnus cable	75524
④	20' implement switch extension cable	77542
⑤	Switch control module	75774-05
⑥	Whisker switch	77636
⑦	Tru Count module	68355-00
⑧	Implement terminator kit (includes P/N 75491)	75529
⑨	Switching module to Tru Count Clutch Module	76859

Field-IQ System on a Fertilizer Spreader

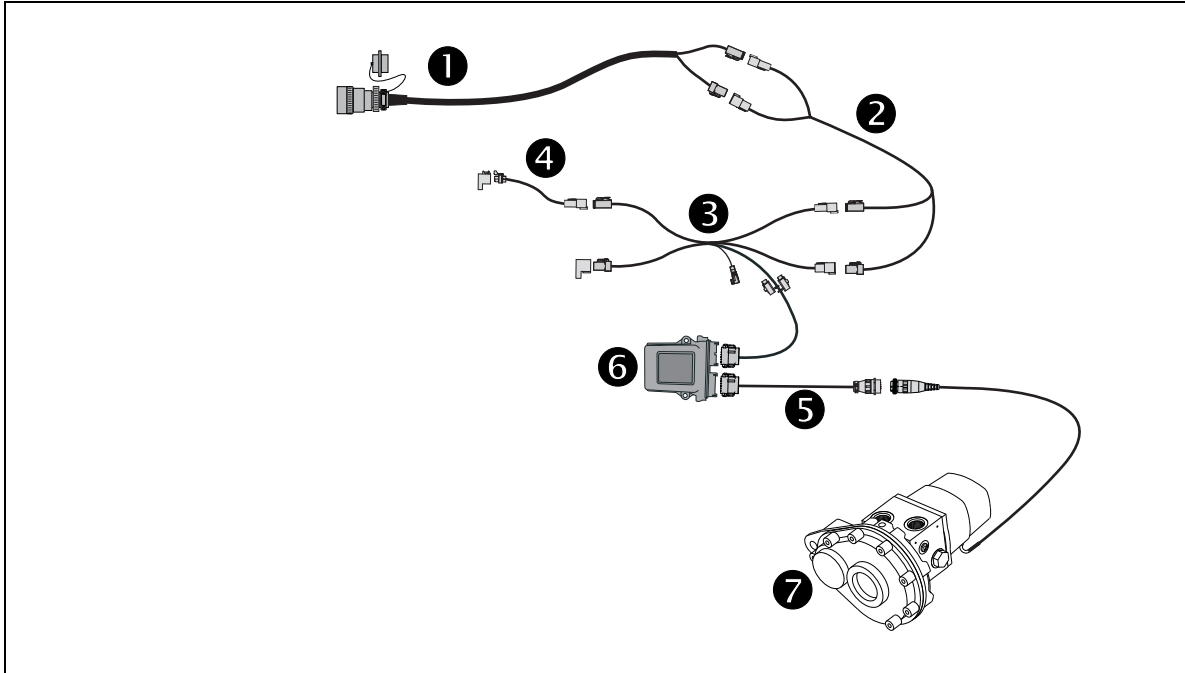
In this chapter:

- [Single Rawson PAR 40 system](#)
- [FmX integrated display](#)
- [EZ-Guide 500 lightbar](#)

This chapter describes how to connect a Field-IQ crop input control system on a fertilizer spreader to a single Rawson PAR 40 system, an FmX integrated display, or an EZ-Guide 500 lightbar.

Single Rawson PAR 40 system

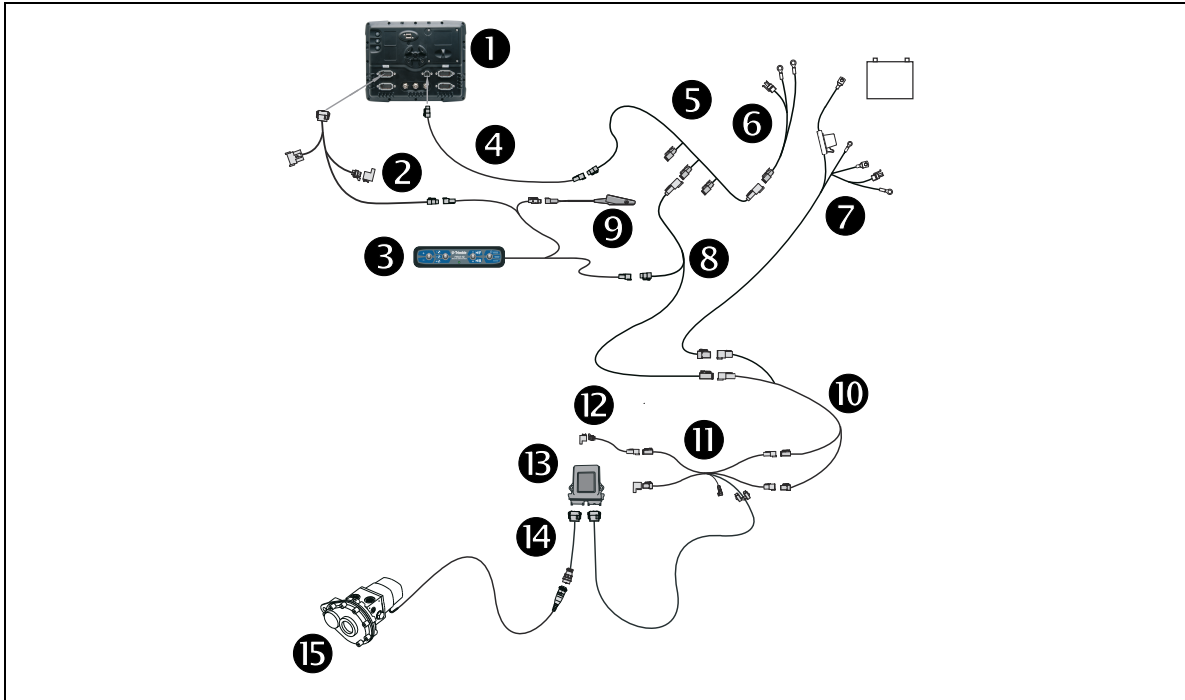
This figure shows how to connect a Field-IQ system to a single Rawson PAR 40 system:



	Description	Trimble part number
❶	Implement harness (Powell adaptor) - implement side	77611
❷	CAN-power extension cable	75528-xx
❸	Rawson module tee cable	75527
❹	Implement terminator kit (includes P/N 75491)	75529
❺	Rawson motor CPC to DTM cable	75531
❻	Rawson control module	75070-00
❼	Single pinion Rawson PAR 40 motor	304152

FmX integrated display

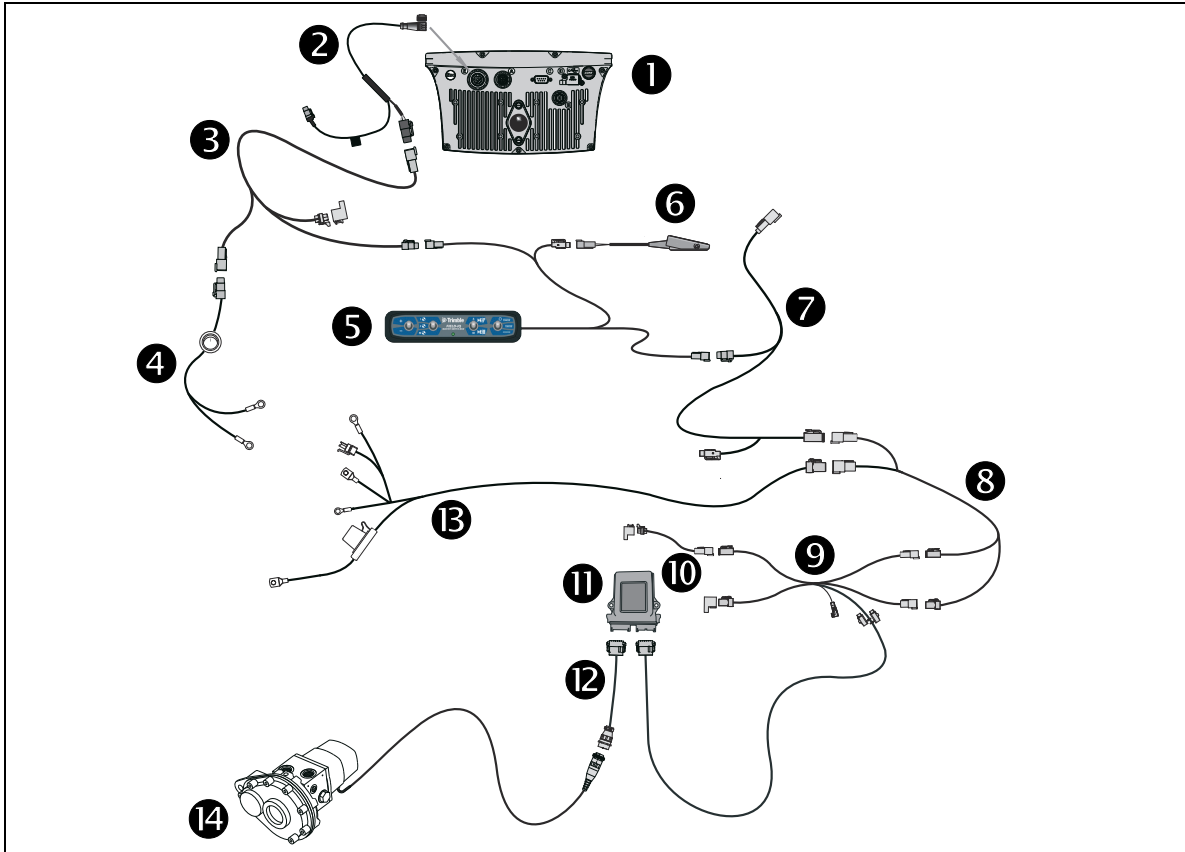
This figure shows how to connect a Field-IQ system on a self-propelled spreader to the FmX integrated display:



	Description	Trimble part number
❶	AgGPS FmX™ integrated display	93100-01
❷	FmX integrated display to Field-IQ cable	75834
❸	Field-IQ master switch box	75050-01
❹	Display power cable	66694
❺	Power bus	67259
❻	Basic power cable	67258
❼	Cable assembly, power to hitch connection	76941
❽	Cable assembly, CAN cab to hitch connection	77368
❾	Remote foot switch (optional)	60490
❿	CAN-power extension cable	75528-xx
⓫	Rawson module tee cable	75527
⓬	Implement terminator kit (includes P/N 75491)	75529
⓭	Rawson control module	75070-00
⓮	Rawson motor CPC to DTM cable	75531
⓯	Single pinion Rawson PAR 40 motor	304152

EZ-Guide 500 lightbar

This figure shows how to connect a Field-IQ system on a self-propelled spreader to the EZ-Guide 500 lightbar.



	Description	Trimble part number
1	EZ-Guide 500 lightbar	66100-xx
2	Lightbar power cable	62817
3	CAN-TBC active terminator cable (with power)	75522
4	Power cable with switch	75743
5	Field-IQ master switch box	75050-01
6	Remote foot switch (optional)	60490
7	Cable assembly, power to hitch connection	76941
8	CAN-power extension cable	75528-xx
9	Rawson module tee cable	75527
10	Implement terminator kit (includes P/N 75491)	75529
11	Rawson control module	75070-00
12	Rawson motor CPC to DTM cable	75531

	Description	Trimble part number
⑬	Cable assembly, power to hitch connection	76941
⑭	Single pinion Rawson PAR 40 motor	304152

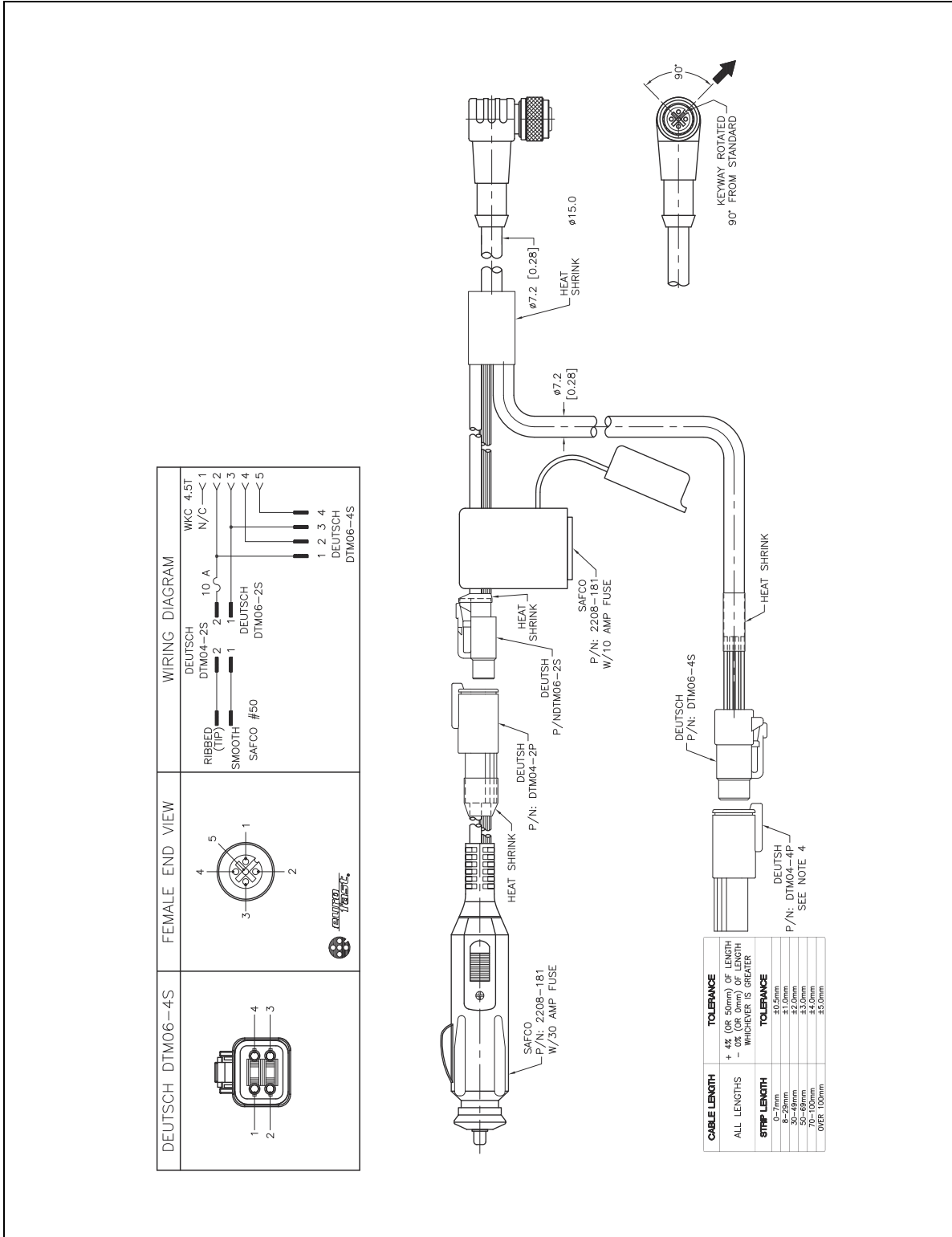
Cable Schematics

In this chapter:

- 62817 Lightbar power cable
- 75522 (part A) CAN–TBC active terminator cable (with power)
- 75522 (part B) CAN–TBC active terminator cable (with power)
- 75527 Rawson module tee cable
- 75528-xx CAN–power extension cable
- 75529 Implement terminator kit (includes P/N 75491)
- 75531 Rawson motor CPC to DTM cable
- 75743 Power cable with switch
- 75834 FmX integrated display to Field-IQ cable
- 76859 Switching module to Tru Count Clutch Module
- 76941 Cable assembly, power to hitch connection
- 77368 Cable assembly, CAN cab to hitch connection
- 77413 Cable assembly IBRC to DTP adapter (optional Powell Connector)
- 77533 Cable assembly, dual relay power cutoff
- 77543-xx Implement Status Switch Extension Cable
- 77611 Implement harness (Powell adaptor) - implement side
- 77636 Whisker switch

This chapter shows the cables available for the Field-IQ system.

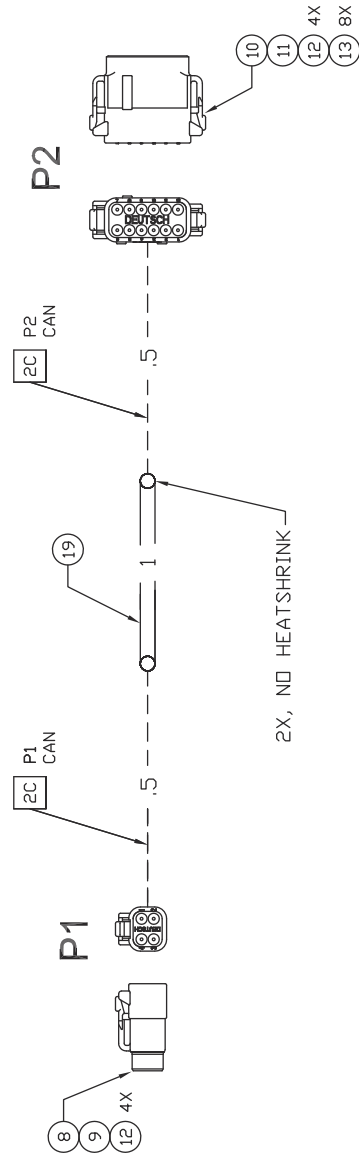
62817 Lightbar power cable



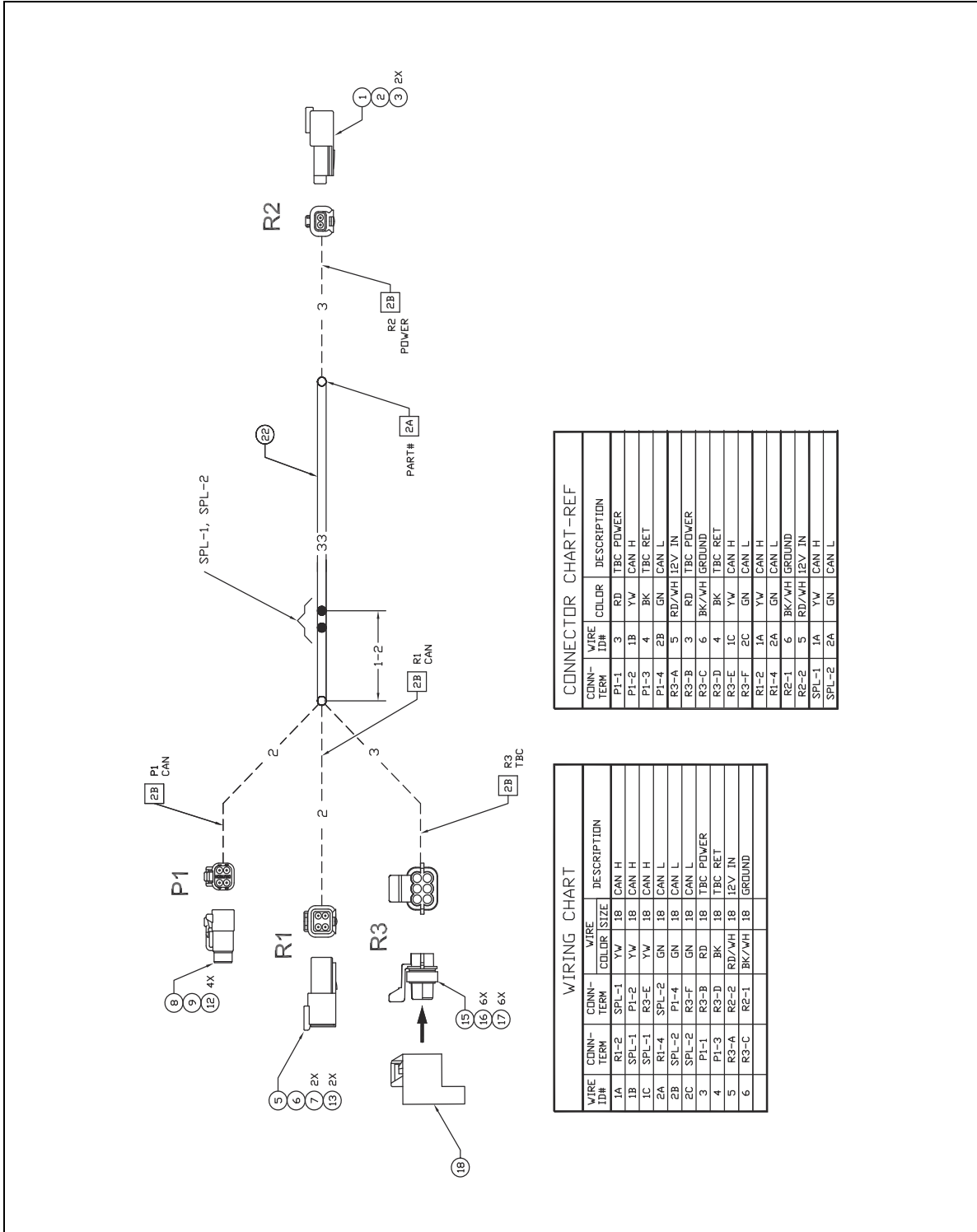
75522 (part A) CAN-TBC active terminator cable (with power)

CONNECTOR CHART-REF			
CONN-TERM	WIRE ID#	COLOR	DESCRIPTION
P1-1	1	RD	TBC POWER
P1-2	2	YW	CAN H
P1-3	3	BK	TBC RET
P1-4	4	GN	CAN L
P2-1	1	RD	TBC POWER
P2-2	2	YW	CAN H
P2-3	3	BK	TBC RET
P2-4	4	GN	CAN L

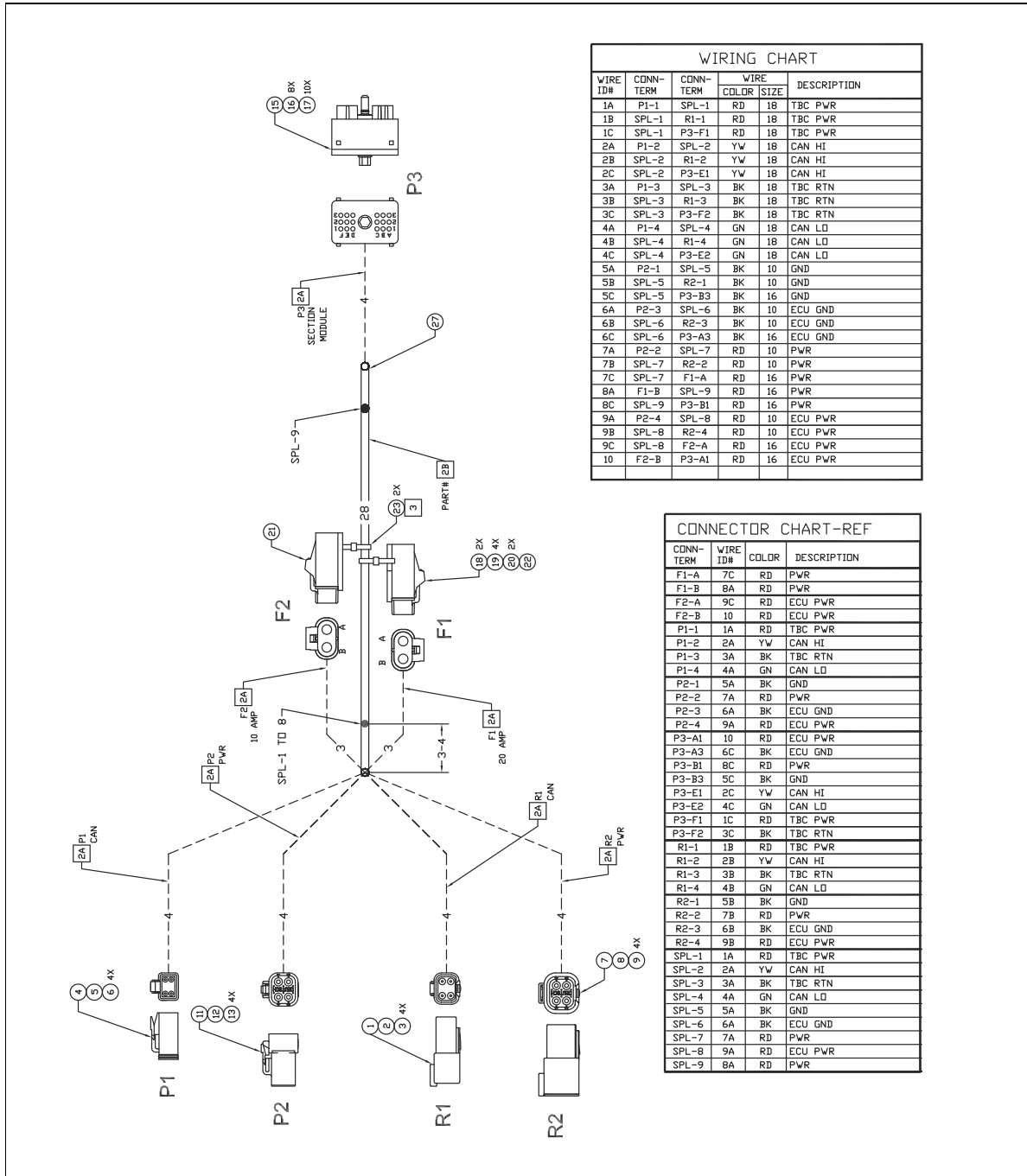
WIRING CHART				
WIRE ID#	CONN-TERM	WIRE COLOR	WIRE SIZE	DESCRIPTION
1	P1-1	RD	18	TBC POWER
2	P1-2	YW	18	CAN H
3	P1-3	BK	18	TBC RET
4	P1-4	GN	18	CAN L



75522 (part B) CAN-TBC active terminator cable (with power)



75524 CAN-T Magnus cable



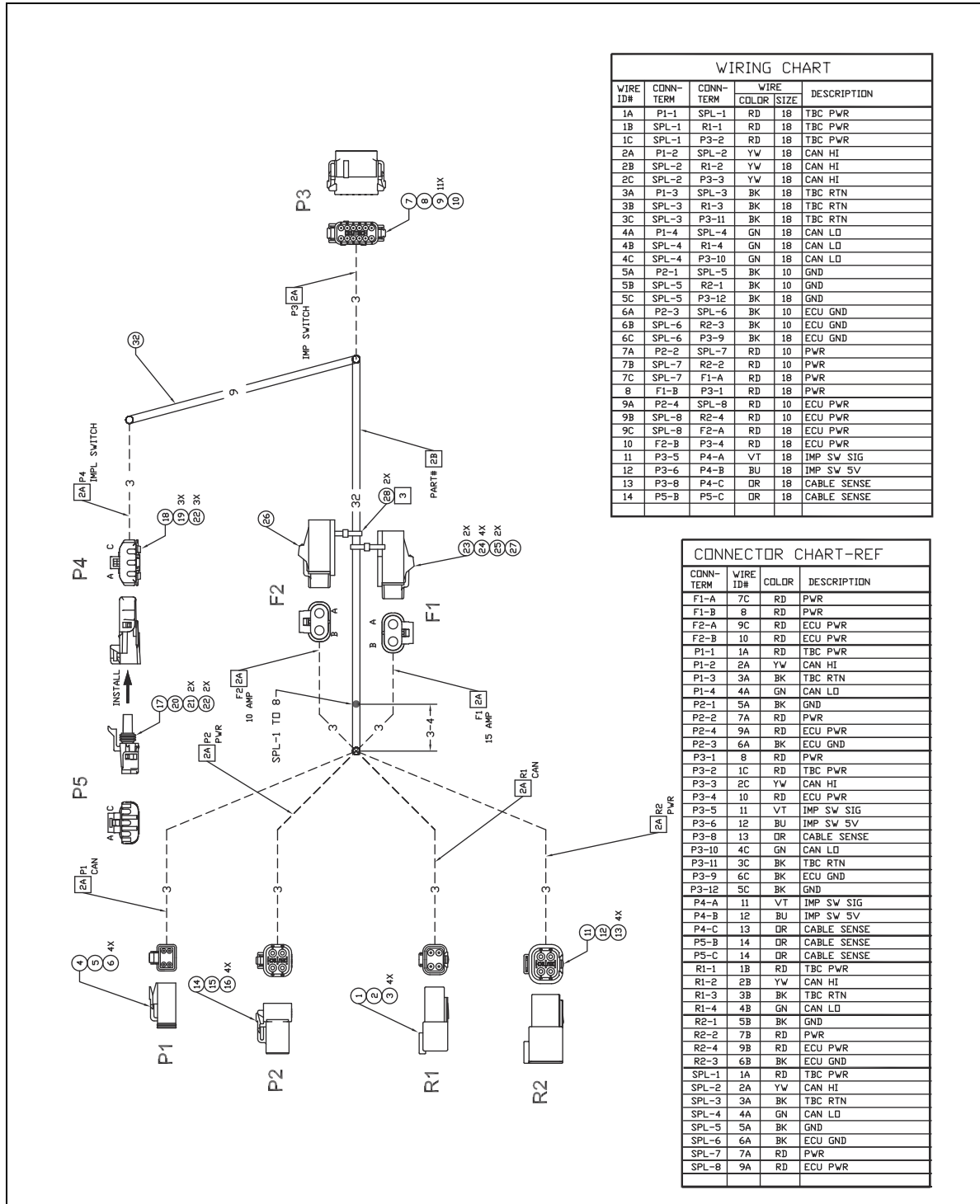
WIRING CHART

WIRE ID#	CONN-TERM	CONN-TERM	WIRE		DESCRIPTION
			COLOR	SIZE	
1A	P1-1	SPL-1	RD	18	TBC PWR
1B	SPL-1	R1-1	RD	18	TBC PWR
1C	SPL-1	P3-F1	RD	18	TBC PWR
2A	P1-2	SPL-2	YW	18	CAN HI
2B	SPL-2	R1-2	YW	18	CAN HI
2C	SPL-2	P3-E1	YW	18	CAN HI
3A	P1-3	SPL-3	BK	18	TBC RTN
3B	SPL-3	R1-3	BK	18	TBC RTN
3C	SPL-3	P3-F2	BK	18	TBC RTN
4A	P1-4	SPL-4	GN	18	CAN LD
4B	SPL-4	R1-4	GN	18	CAN LD
4C	SPL-4	P3-E2	GN	18	CAN LD
5A	P2-1	SPL-5	BK	10	GND
5B	SPL-5	R2-1	BK	10	GND
5C	SPL-5	P3-B3	BK	16	GND
6A	P2-3	SPL-6	BK	10	ECU GND
6B	SPL-6	R2-3	BK	10	ECU GND
6C	SPL-6	P3-A3	BK	16	ECU GND
7A	P2-2	SPL-7	RD	10	PWR
7B	SPL-7	R2-2	RD	10	PWR
7C	SPL-7	F1-A	RD	16	PWR
8A	F1-B	SPL-9	RD	16	PWR
8C	SPL-9	P3-B1	RD	16	PWR
9A	P2-4	SPL-8	RD	10	ECU PWR
9B	SPL-8	R2-4	RD	10	ECU PWR
9C	SPL-8	F2-A	RD	16	ECU PWR
10	F2-B	P3-A1	RD	16	ECU PWR

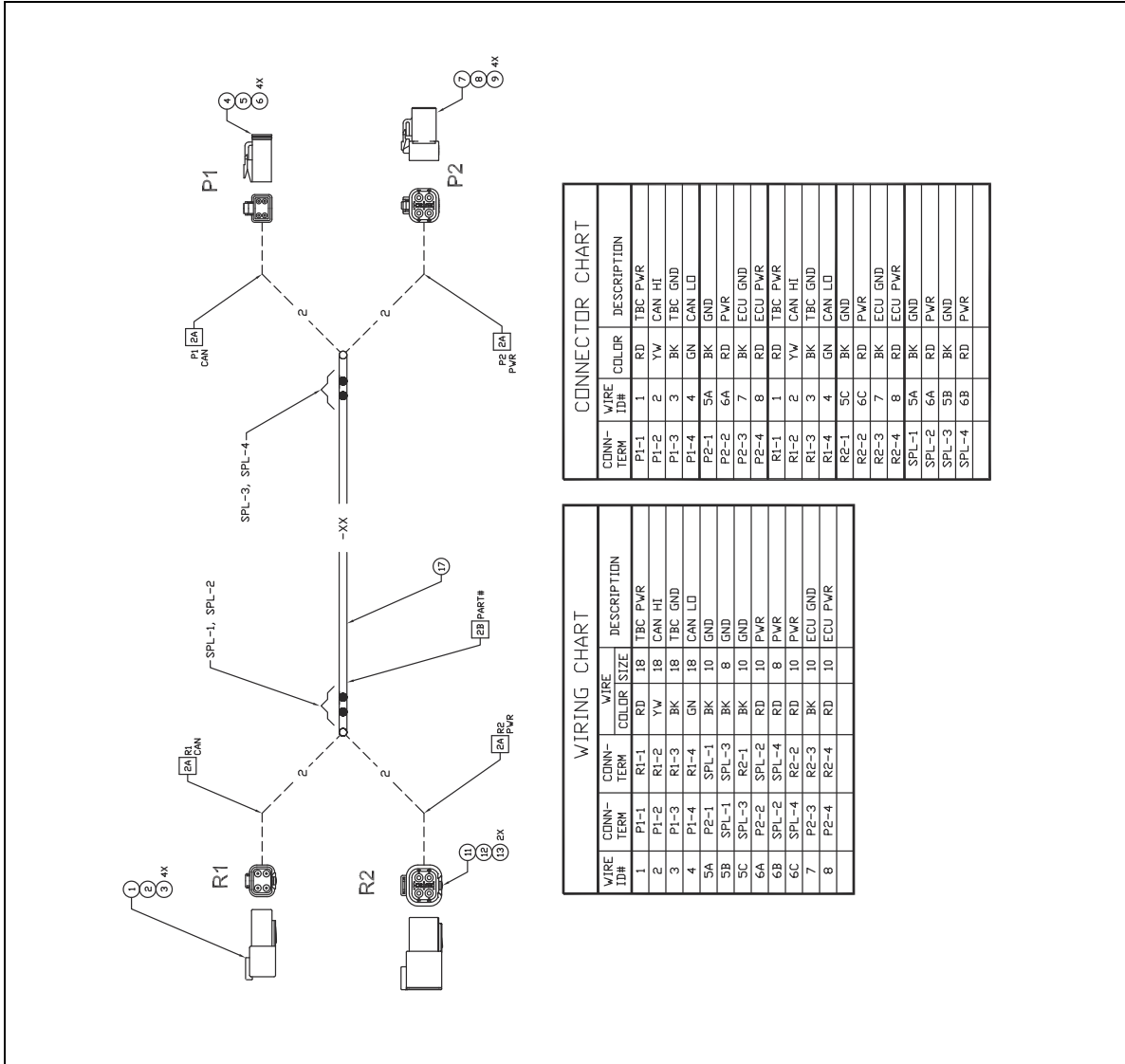
CONNECTOR CHART-REF

CONN-TERM	WIRE ID#	COLOR	DESCRIPTION
F1-A	7C	RD	PWR
F1-B	8A	RD	PWR
F2-A	9C	RD	ECU PWR
F2-B	10	RD	ECU PWR
P1-1	1A	RD	TBC PWR
P1-2	2A	YW	CAN HI
P1-3	3A	BK	TBC RTN
P1-4	4A	GN	CAN LD
P2-1	5A	BK	GND
P2-2	7A	RD	PWR
P2-3	6A	BK	ECU GND
P2-4	9A	RD	ECU PWR
P3-A1	10	RD	ECU PWR
P3-A3	6C	BK	ECU GND
P3-B1	8C	RD	PWR
P3-B3	5C	BK	GND
P3-E1	2C	YW	CAN HI
P3-E2	4C	GN	CAN LD
P3-F1	1C	RD	TBC PWR
P3-F2	3C	BK	TBC RTN
R1-1	1B	RD	TBC PWR
R1-2	2B	YW	CAN HI
R1-3	3B	BK	TBC RTN
R1-4	4B	GN	CAN LD
R2-1	5B	BK	GND
R2-2	7B	RD	PWR
R2-3	6B	BK	ECU GND
R2-4	9B	RD	ECU PWR
SPL-1	1A	RD	TBC PWR
SPL-2	2A	YW	CAN HI
SPL-3	3A	BK	TBC RTN
SPL-4	4A	GN	CAN LD
SPL-5	5A	BK	GND
SPL-6	6A	BK	ECU GND
SPL-7	7A	RD	PWR
SPL-8	9A	RD	ECU PWR
SPL-9	8A	RD	PWR

75527 Rawson module tee cable



75528-xx CAN-power extension cable



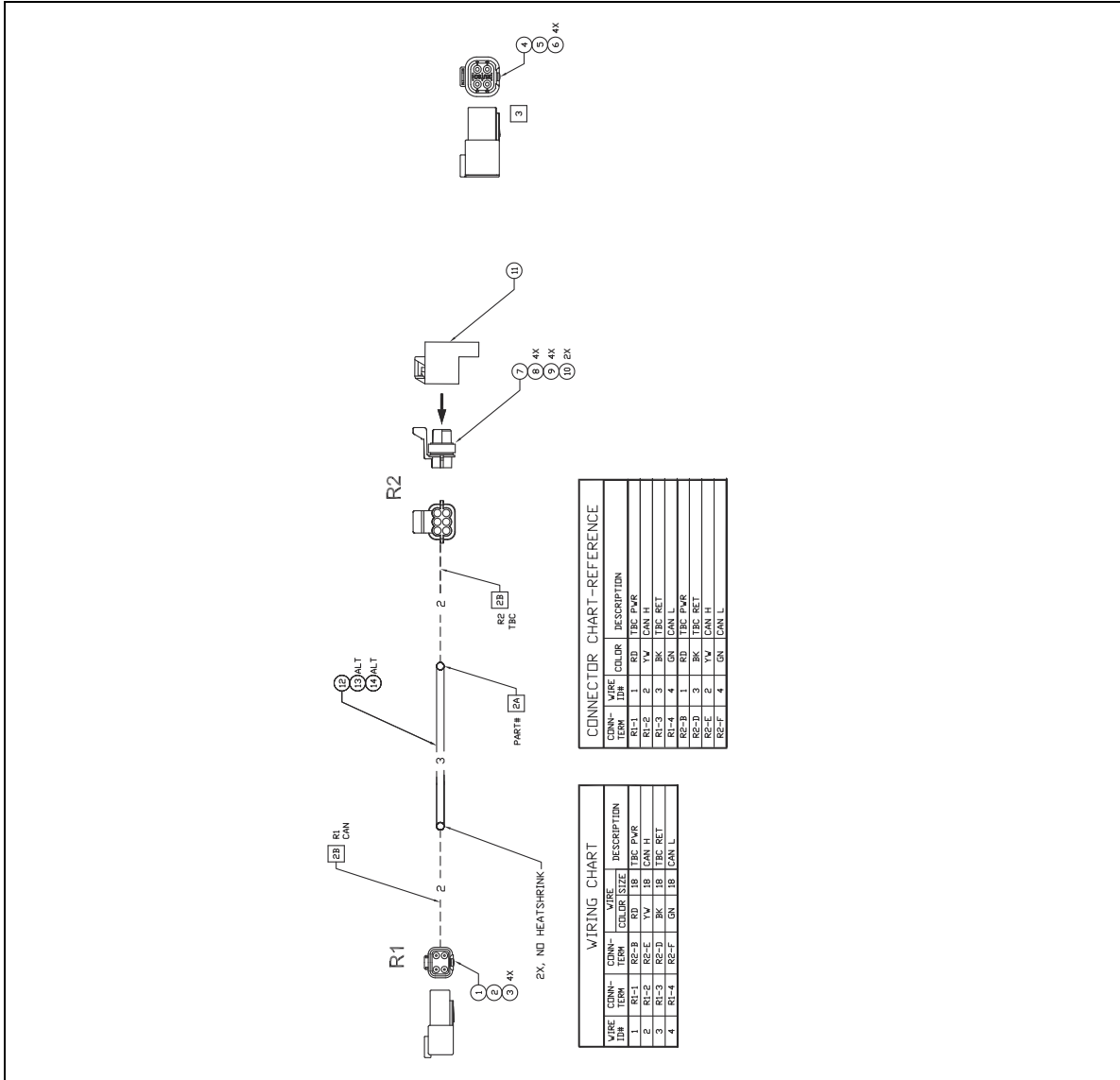
CONNECTOR CHART

CONN-TERM	WIRE ID#	COLOR	DESCRIPTION
P1-1	1	RD	TBC PWR
P1-2	2	YW	CAN HI
P1-3	3	BK	TBC GND
P1-4	4	GN	CAN LD
P2-1	5A	BK	GND
P2-2	6A	RD	PWR
P2-3	7	BK	ECU GND
P2-4	8	RD	ECU PWR
R1-1	1	RD	TBC PWR
R1-2	2	YW	CAN HI
R1-3	3	BK	TBC GND
R1-4	4	GN	CAN LD
R2-1	5C	BK	GND
R2-2	6C	RD	PWR
R2-3	7	BK	ECU GND
R2-4	8	RD	ECU PWR
SPL-1	5A	BK	GND
SPL-2	6A	RD	PWR
SPL-3	5B	BK	GND
SPL-4	6B	RD	PWR

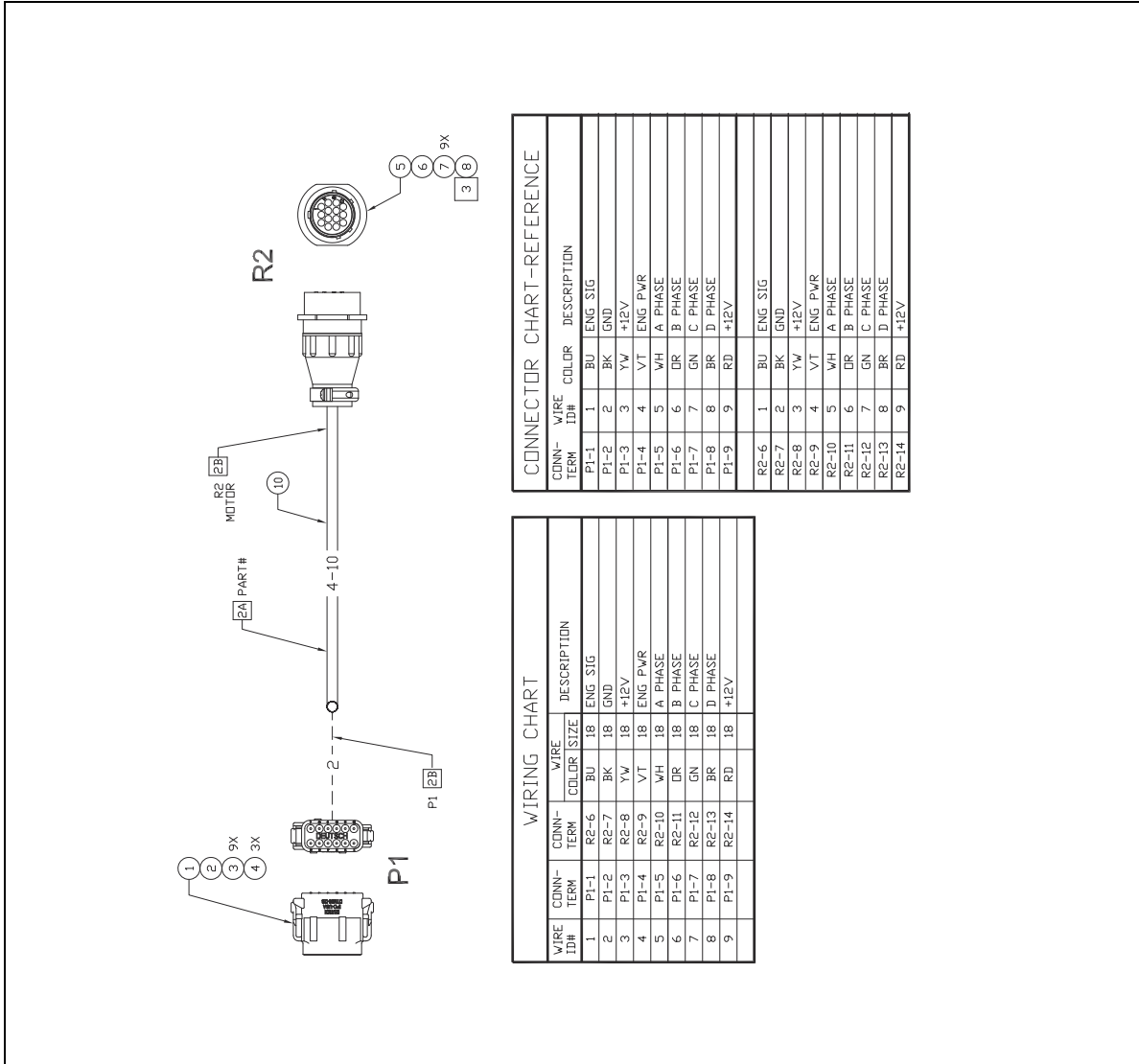
WIRING CHART

WIRE ID#	CONN-TERM	WIRE COLOR	WIRE SIZE	DESCRIPTION
1	P1-1	RD	18	TBC PWR
2	P1-2	YW	18	CAN HI
3	P1-3	BK	18	TBC GND
4	P1-4	GN	18	CAN LD
5A	P2-1	BK	10	GND
5B	SPL-1	BK	8	GND
5C	SPL-3	BK	10	GND
6A	P2-2	RD	10	PWR
6B	SPL-2	RD	8	PWR
6C	SPL-4	RD	10	PWR
7	P2-3	BK	10	ECU GND
8	P2-4	RD	10	ECU PWR

75529 Implement terminator kit (includes P/N 75491)



75531 Rawson motor CPC to DTM cable



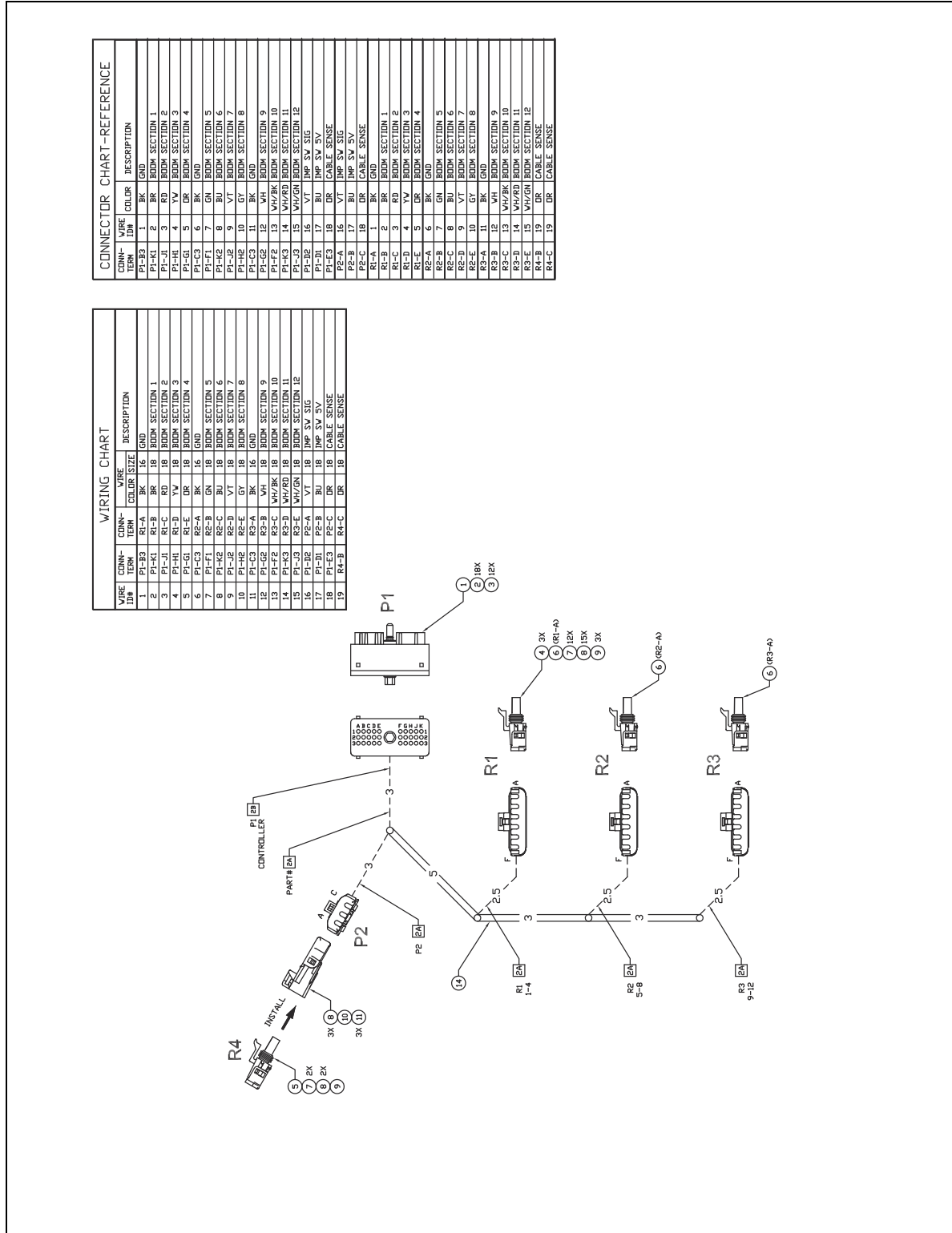
WIRING CHART

WIRE ID#	CONN-TERM	CONN-TERM	WIRE		DESCRIPTION
			COLOR	SIZE	
1	P1-1	R2-6	BU	18	ENG SIG
2	P1-2	R2-7	BK	18	GND
3	P1-3	R2-8	YV	18	+12V
4	P1-4	R2-9	VT	18	ENG PWR
5	P1-5	R2-10	WH	18	A PHASE
6	P1-6	R2-11	DR	18	B PHASE
7	P1-7	R2-12	GN	18	C PHASE
8	P1-8	R2-13	BR	18	D PHASE
9	P1-9	R2-14	RD	18	+12V

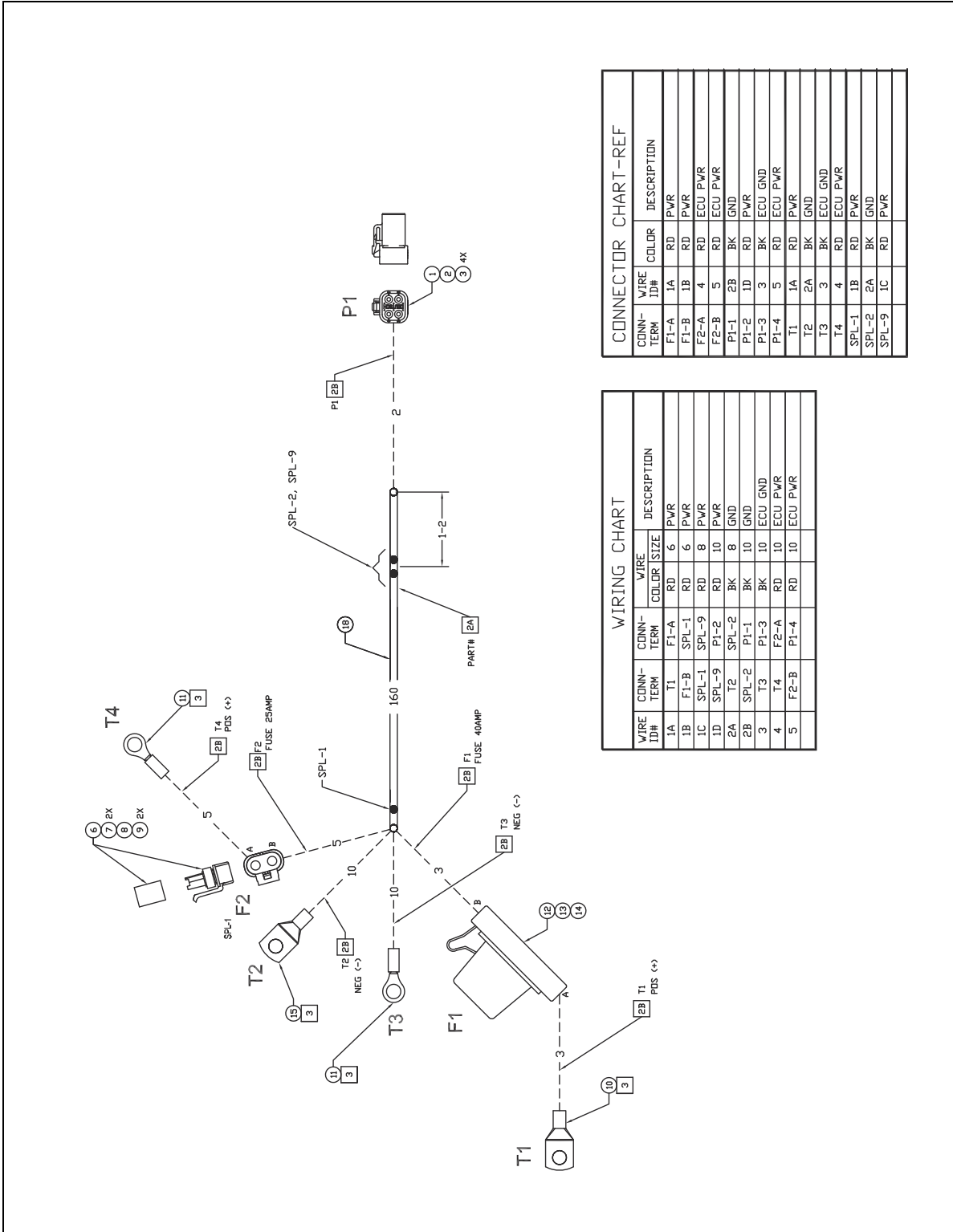
CONNECTOR CHART-REFERENCE

CONN-TERM	WIRE ID#	COLOR	DESCRIPTION
P1-1	1	BU	ENG SIG
P1-2	2	BK	GND
P1-3	3	YV	+12V
P1-4	4	VT	ENG PWR
P1-5	5	WH	A PHASE
P1-6	6	DR	B PHASE
P1-7	7	GN	C PHASE
P1-8	8	BR	D PHASE
P1-9	9	RD	+12V
R2-6	1	BU	ENG SIG
R2-7	2	BK	GND
R2-8	3	YV	+12V
R2-9	4	VT	ENG PWR
R2-10	5	WH	A PHASE
R2-11	6	DR	B PHASE
R2-12	7	GN	C PHASE
R2-13	8	BR	D PHASE
R2-14	9	RD	+12V

76859 Switching module to Tru Count Clutch Module



76941 Cable assembly, power to hitch connection



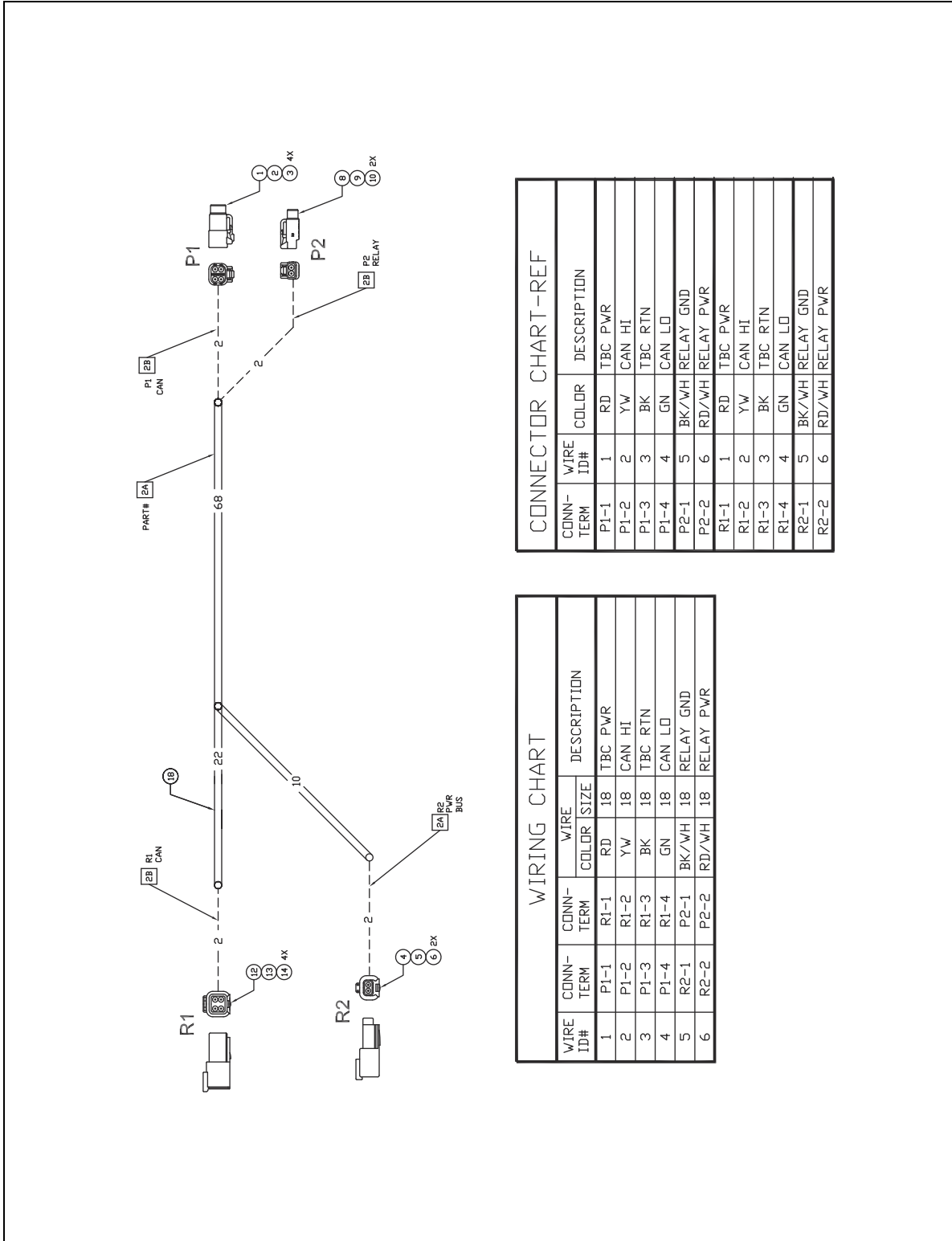
WIRING CHART

WIRE ID#	CONN-TERM	CONN-TERM	WIRE COLOR	WIRE SIZE	DESCRIPTION
1A	T1	F1-A	RD	6	PWR
1B	F1-B	SPL-1	RD	6	PWR
1C	SPL-1	SPL-9	RD	8	PWR
1D	SPL-9	P1-2	RD	10	PWR
2A	T2	SPL-2	BK	8	GND
2B	SPL-2	P1-1	BK	10	GND
3	T3	P1-3	BK	10	ECU GND
4	T4	F2-A	RD	10	ECU PWR
5	F2-B	P1-4	RD	10	ECU PWR

CONNECTOR CHART-REF

CONN-TERM	WIRE ID#	COLOR	DESCRIPTION
F1-A	1A	RD	PWR
F1-B	1B	RD	PWR
F2-A	4	RD	ECU PWR
F2-B	5	RD	ECU PWR
P1-1	2B	BK	GND
P1-2	1D	RD	PWR
P1-3	3	BK	ECU GND
P1-4	5	RD	ECU PWR
T1	1A	RD	PWR
T2	2A	BK	GND
T3	3	BK	ECU GND
T4	4	RD	ECU PWR
SPL-1	1B	RD	PWR
SPL-2	2A	BK	GND
SPL-9	1C	RD	PWR

77368 Cable assembly, CAN cab to hitch connection



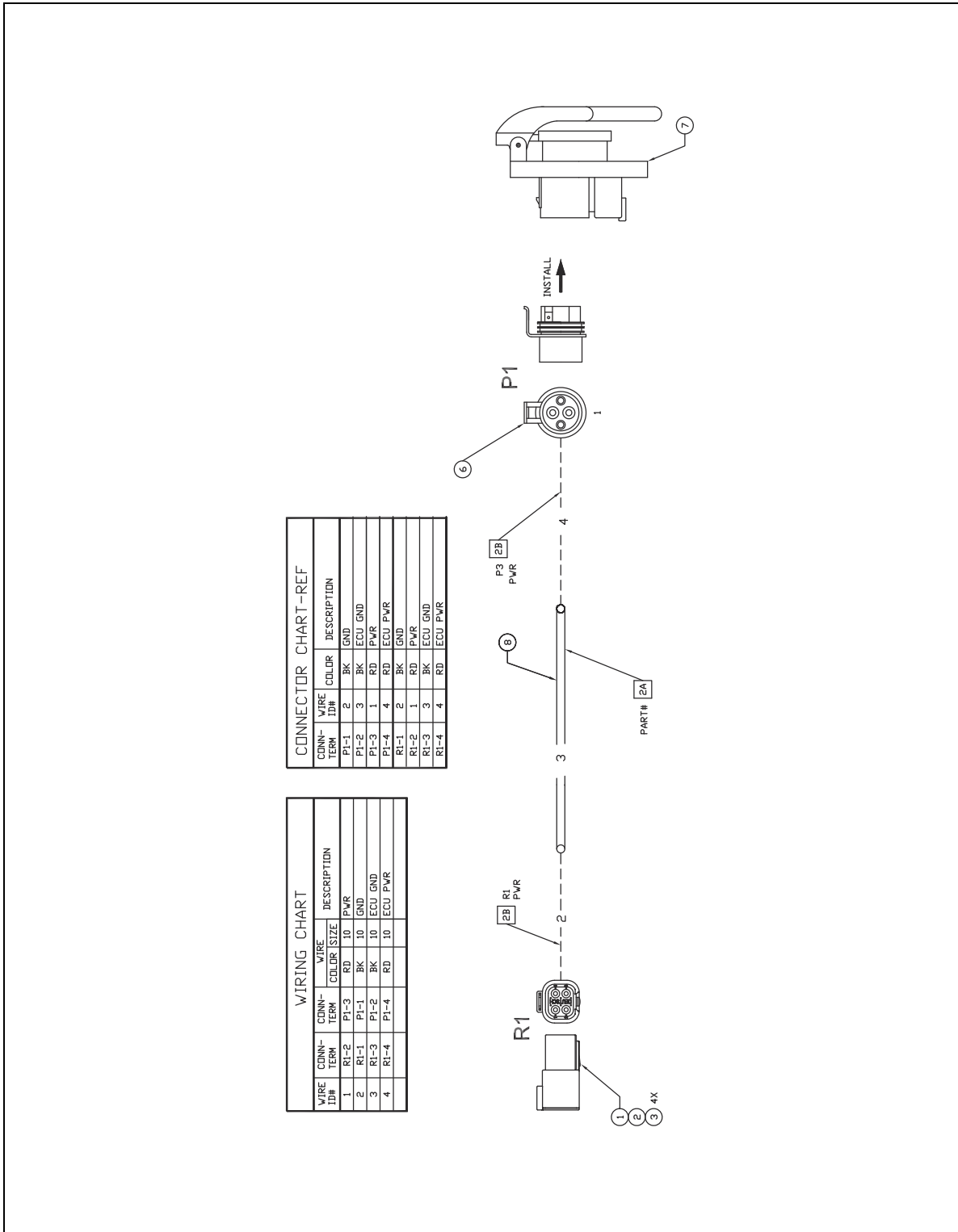
WIRING CHART

WIRE ID#	CONN-TERM	WIRE		DESCRIPTION
		COLOR	SIZE	
1	R1-1	RD	18	TBC PWR
2	P1-2	YW	18	CAN HI
3	P1-3	BK	18	TBC RTN
4	P1-4	GN	18	CAN LO
5	R2-1	BK/WH	18	RELAY GND
6	R2-2	RD/WH	18	RELAY PWR

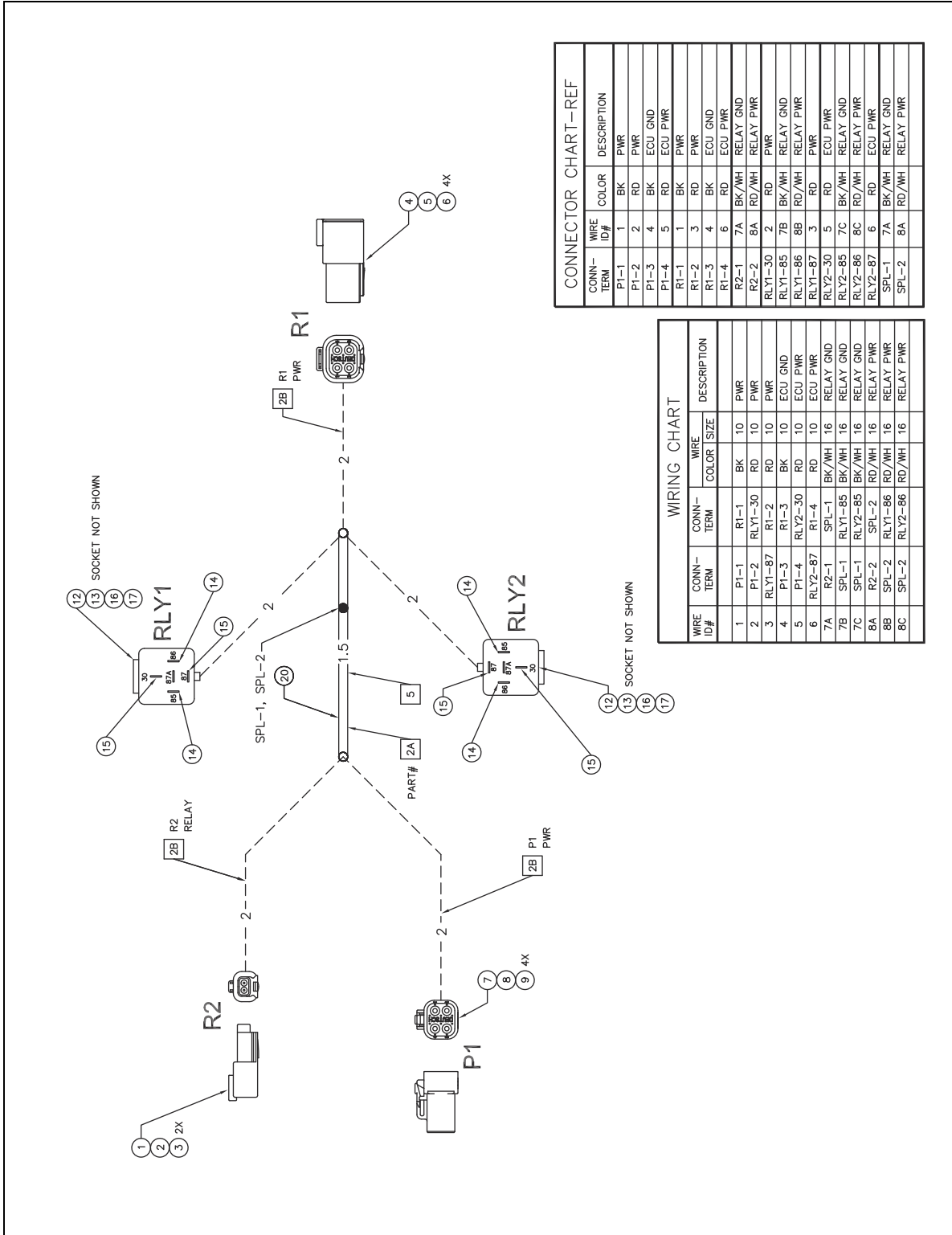
CONNECTOR CHART-REF

CONN-TERM	WIRE ID#	COLOR	DESCRIPTION
P1-1	1	RD	TBC PWR
P1-2	2	YW	CAN HI
P1-3	3	BK	TBC RTN
P1-4	4	GN	CAN LO
P2-1	5	BK/WH	RELAY GND
P2-2	6	RD/WH	RELAY PWR
R1-1	1	RD	TBC PWR
R1-2	2	YW	CAN HI
R1-3	3	BK	TBC RTN
R1-4	4	GN	CAN LO
R2-1	5	BK/WH	RELAY GND
R2-2	6	RD/WH	RELAY PWR

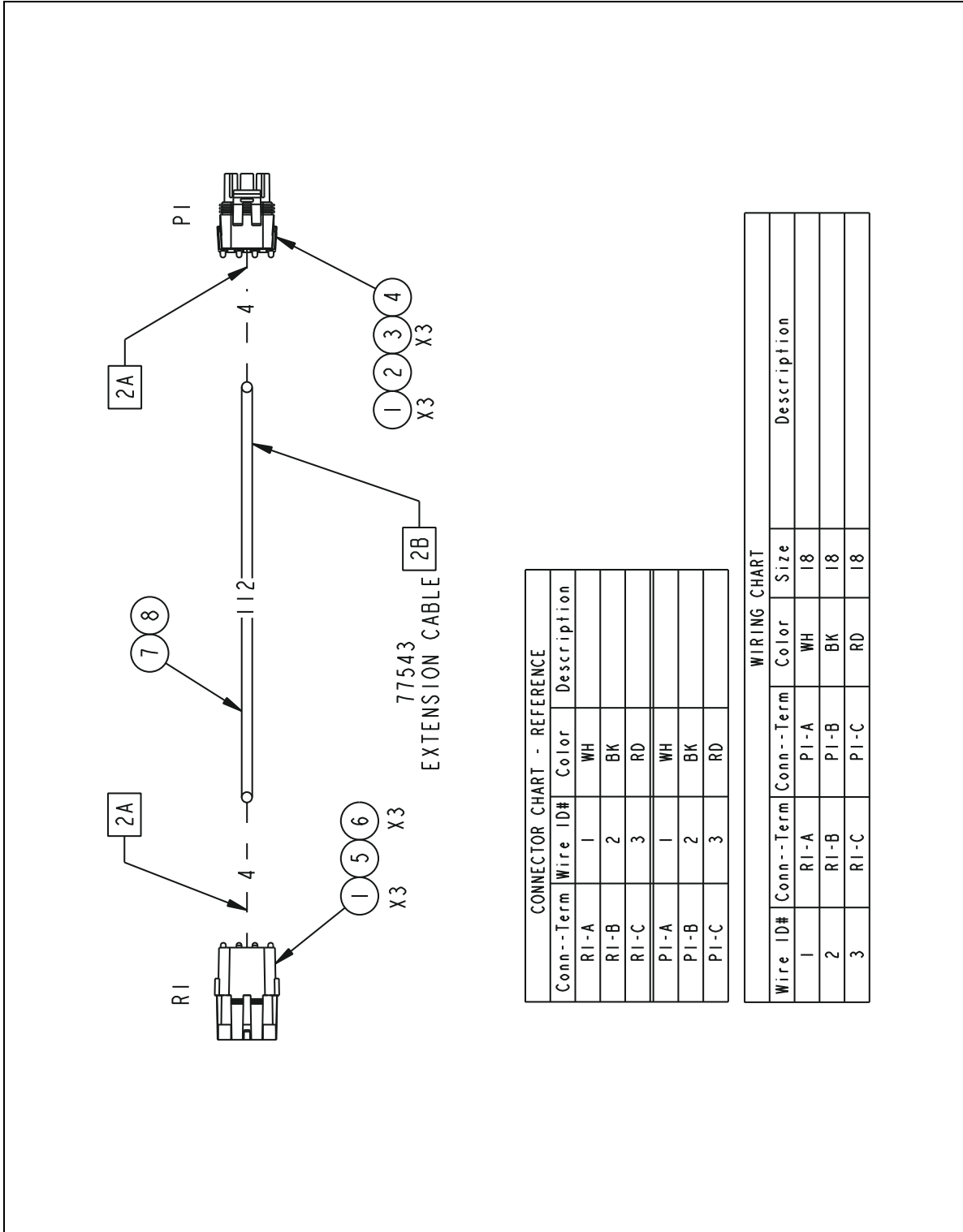
77413 Cable assembly IBRC to DTP adapter (optional Powell Connector)



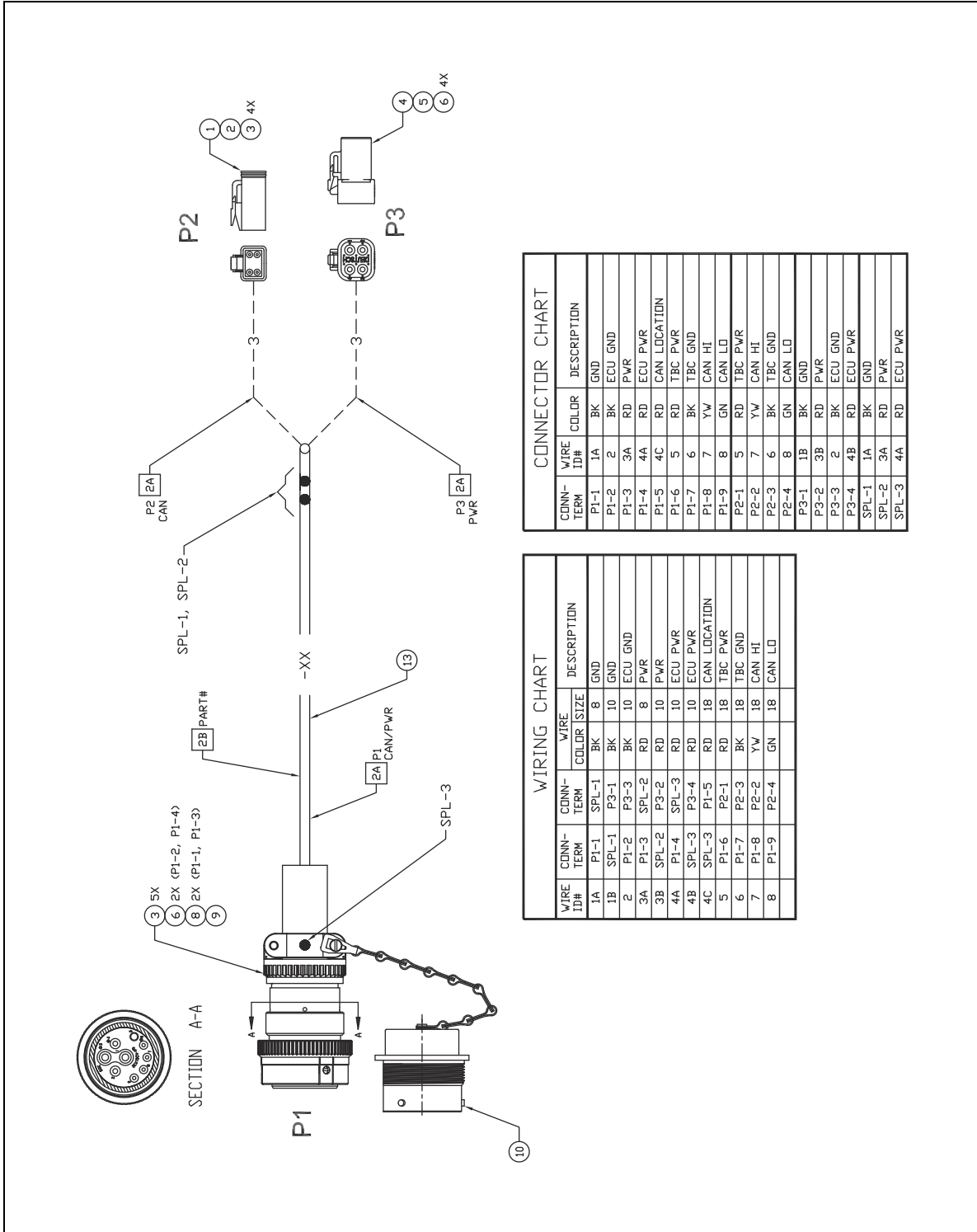
77533 Cable assembly, dual relay power cutoff



77543-xx Implement Status Switch Extension Cable



77611 Implement harness (Powell adaptor) - implement side



77636 Whisker switch

