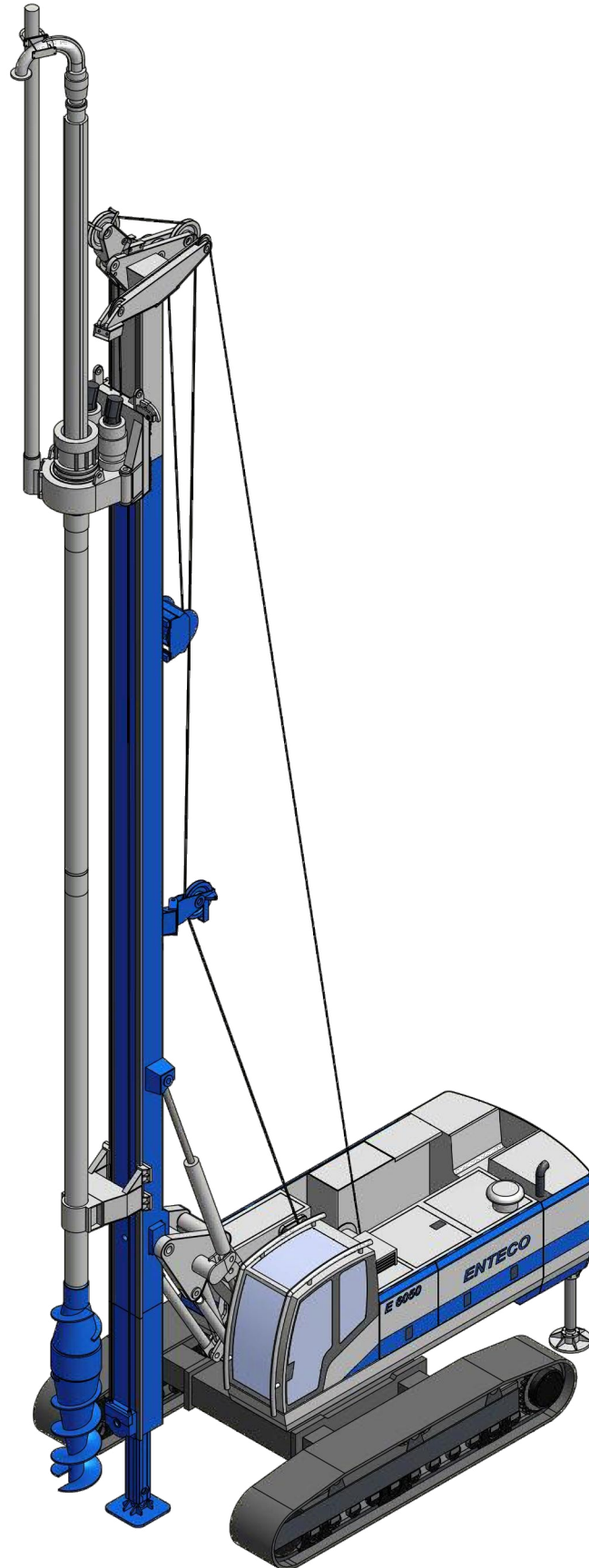


# E 6050

SP240

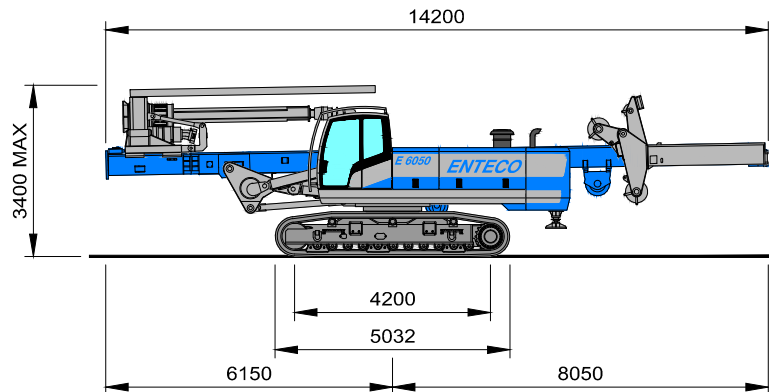
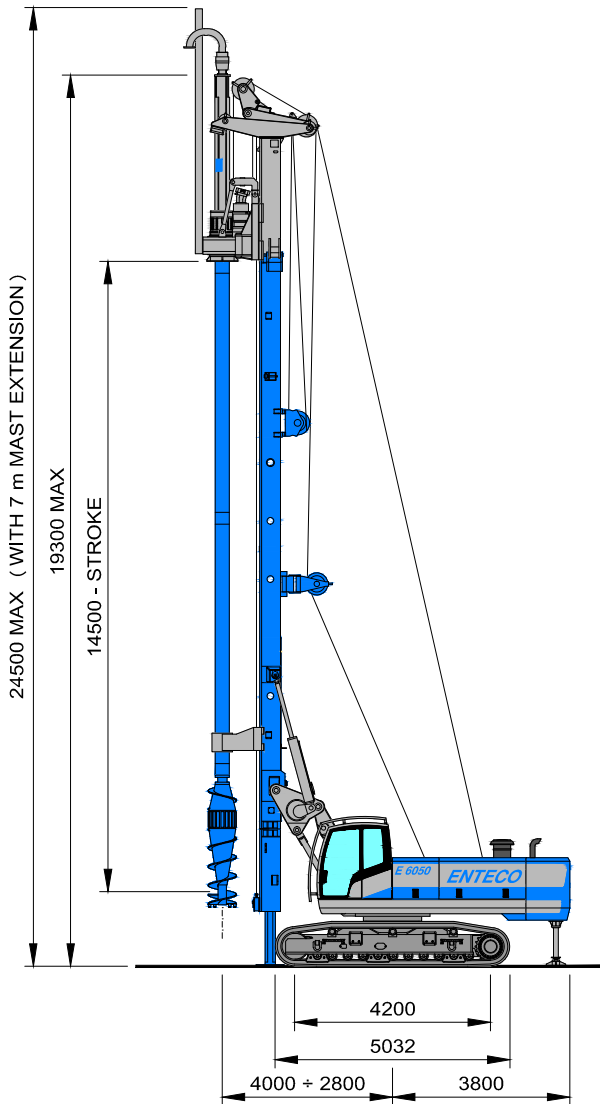
SOIL DISPLACEMENT KIT



# E 6050

## SP240

SOIL DISPLACEMENT KIT



### E 6050 - SP240 SOIL DISPLACEMENT KIT

OPERATING WEIGHT	mm	up to 56
Drilling diameter	mm	320+620
Max drilling depth	m	25

### MAST

Front/Rear inclination	+4°/-15°
Side inclination	±4°

### CROWD SYSTEM

WINCH

Rotary stroke	mm	14500
Crowd force	kN	200
Extraction force	kN	530

### ROTARY

Model	ENTECO RH41/2	
Max torque	kNm	245
Max drilling speed	rpm	39+60
Auger extension	m	3, 7, 12

### E 6050 - BASE MACHINE

CRAWLERS		STANDARD	OPTION
Overall width	mm	3000+4200	2550+3950
Track pads	mm	700	650
Crawler drive speed	km/h	2.1	2.1

### DIESEL ENGINE

Model	CATERPILLAR	C9 ACERT
Rated power	HP/kW	350/261
Fuel tank capacity	litres	400

### MAIN WINCH

Max line-pull 1st layer	kN	165
Free-fall device		option

### AUXILIARY WINCH

		STANDARD	OPTION
Max line-pull 1st layer	kN	50	70
Free-fall device		option	option



Via dell'Artigianato, 33 - Z.I. - 30020 Fossalta di Piave - VENEZIA - ITALIA  
 Tel +39 0421 67.99.77 - Fax +39 0421 67.99.93 - e-mail: info@entecodrill.com - www.entecodrill.com

E6050 - SP240 090Q-201 20120223