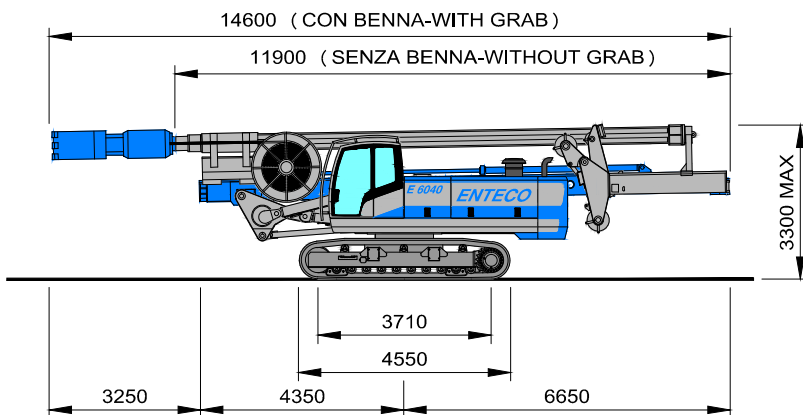
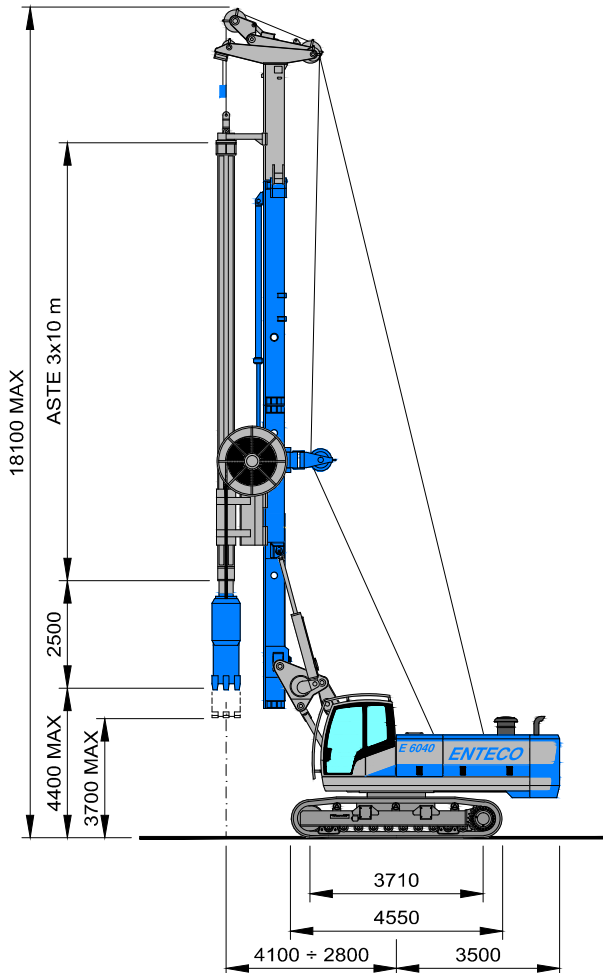


E 6040

HGT30

DIAPHRAGM WALL KIT



E 6040 - HGT30 DIAPHRAGM WALL KIT

OPERATING WEIGHT	ton	up to 42
Max depth	m	30

HYDRAULIC GRAB

Model		ENTECO HG3
Width of trench	mm	300+1200
Length of trench	mm	2000-2500

TELESCOPIC KELLY

Type - elements/length		3x11
Max depth	m	30
Interlocking 1st element		option
Kelly rotation		±45°

E 6040 - BASE MACHINE

CRAWLERS

Overall width	mm	2500+3700
Track pads	mm	600
Crawler drive speed	km/h	2.1

DIESEL ENGINE

Model	CATERPILLAR	C7 ACERT
Rated power	HP/kW	250/187
Fuel tank capacity	litres	350

MAIN WINCH

Max line-pull 1st layer	kN	150
Free-fall device		installed

AUXILIARY WINCH

Max line-pull 1st layer	kN	50
Free-fall device		option



Via dell'Artigianato, 33 - Z.I. - 30020 Fossalta di Piave - VENEZIA - ITALIA
 Tel +39 0421 67.99.77 - Fax +39 0421 67.99.93 - e-mail: info@entecodrill.com - www.entecodrill.com

E6040 - HGT30 089Q-357 20120223