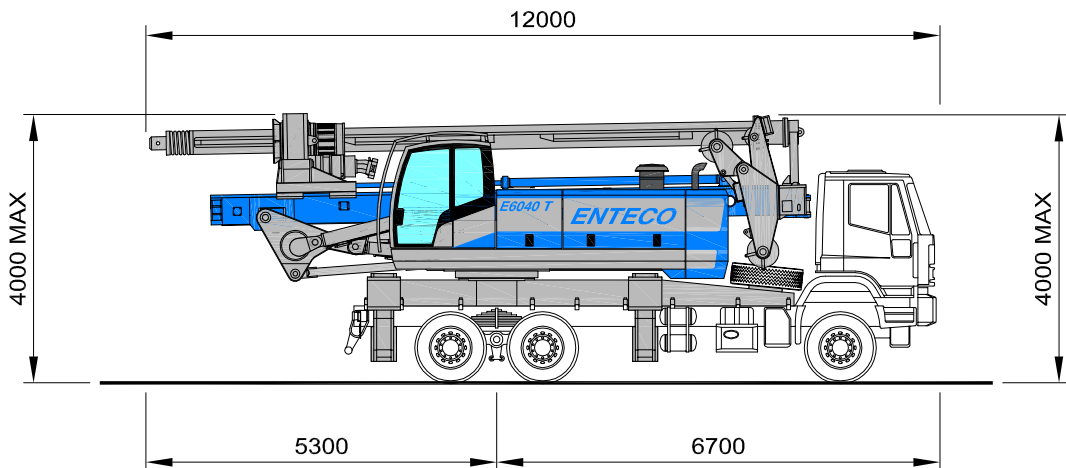
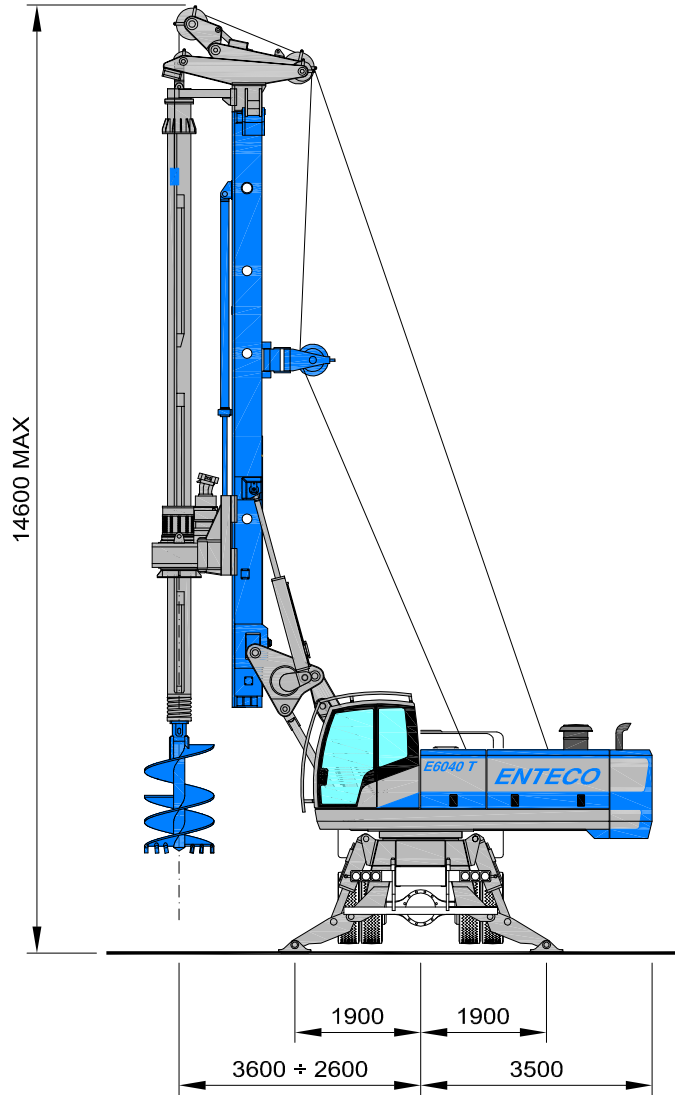


E 6040 T

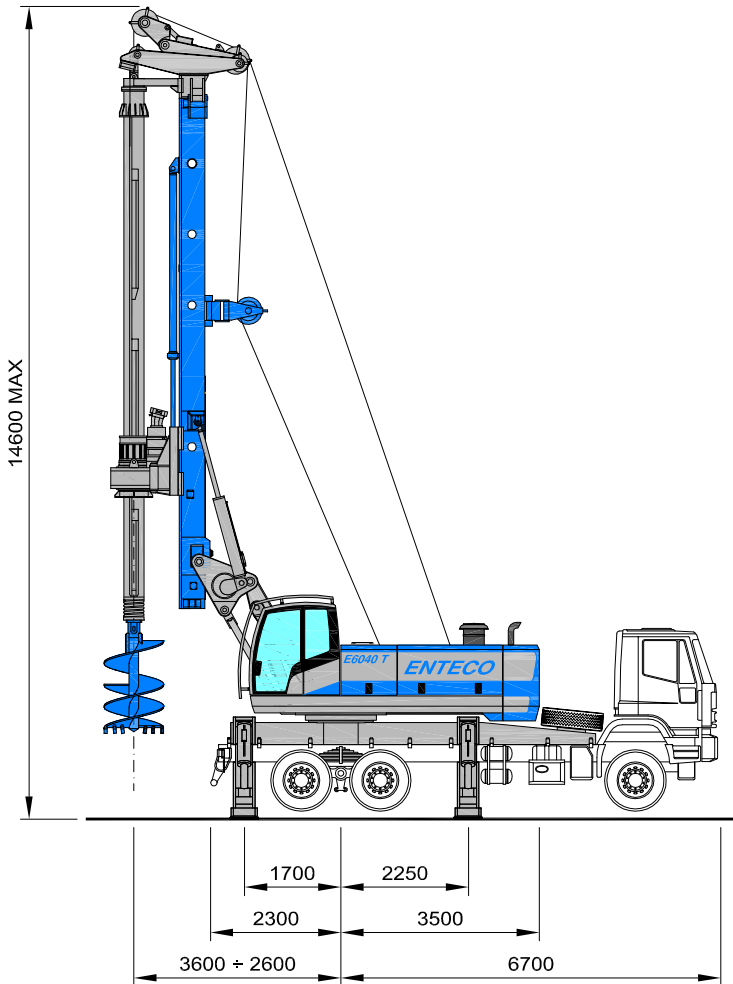
HYDRAULIC TRUCK MOUNTED
P I L I N G R I G



E 6040T

HYDRAULIC TRUCK MOUNTED

P I L I N G R I G



E 6040T - R150 PILING RIG

OPERATING WEIGHT		
	ton	~40
Drilling diameter Auger in front of the mast	mm	500+1500
Drilling diameter Auger beneath the mast	mm	2000
Max drilling depth	m	40
TRUCK		
Truck	IVECO	EUROTRAKKER 6x6
Different truck		upon request
DIESEL ENGINE		
Model	CATERPILLAR	C7 ACERT
Rated power	HP/kW	250/187
Fuel tank capacity	litres	350
MAIN WINCH		
Max line-pull 1st layer	kN	150
Free-fall device		option
AUXILIARY WINCH		
Max line-pull 1st layer	kN	50
Free-fall device		option
MAST		
Front/Rear inclination		+4°/-15°
Side inclination		±4°
CROWD SYSTEM		CYLINDER
Rotary stroke	mm	3800
Crowd force	kN	140
Extraction force	kN	150
ROTARY		
Model		ENTEKO RH41
Max torque	kNm	150
Max drilling speed	rpm	31+64
Spin-off speed	rpm	170
INTERLOCKING KELLY-BAR		
Type - elements/length		3x9 m 4x9 m
Max depth	m	24 32
Weight	kg	3800 4300
FRICTION KELLY-BAR		
Type - elements/length		5x9 m
Max depth	m	40
Weight	kg	4200

