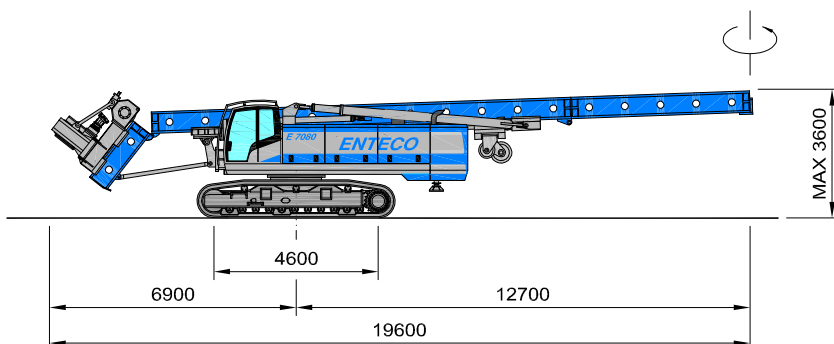
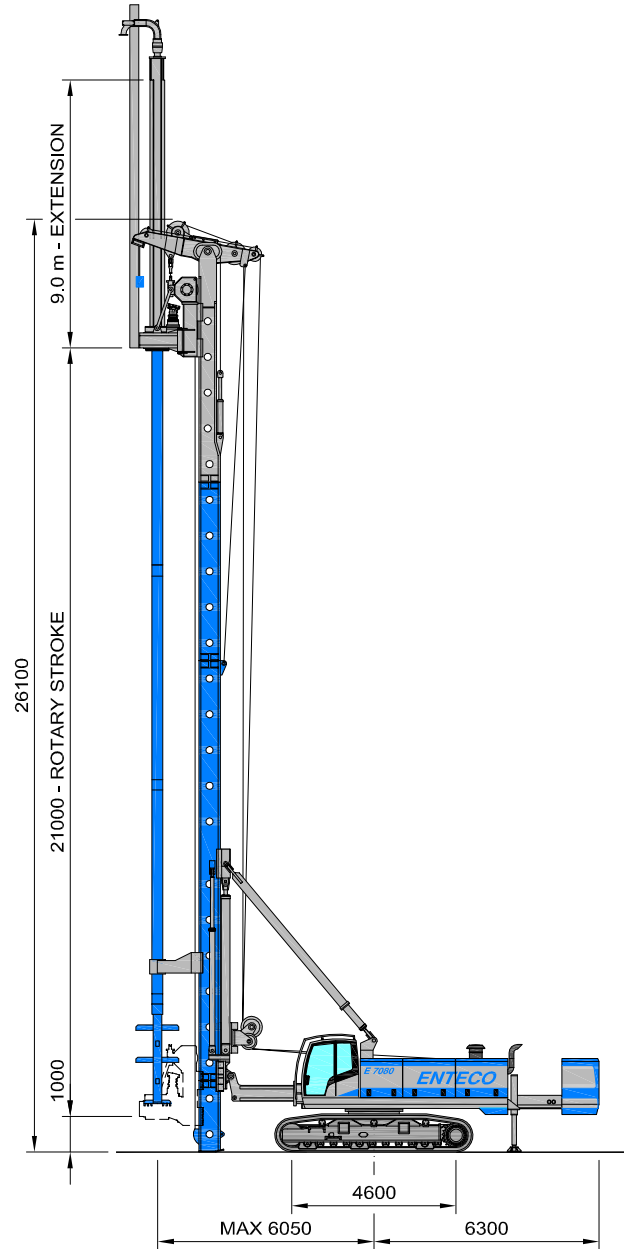
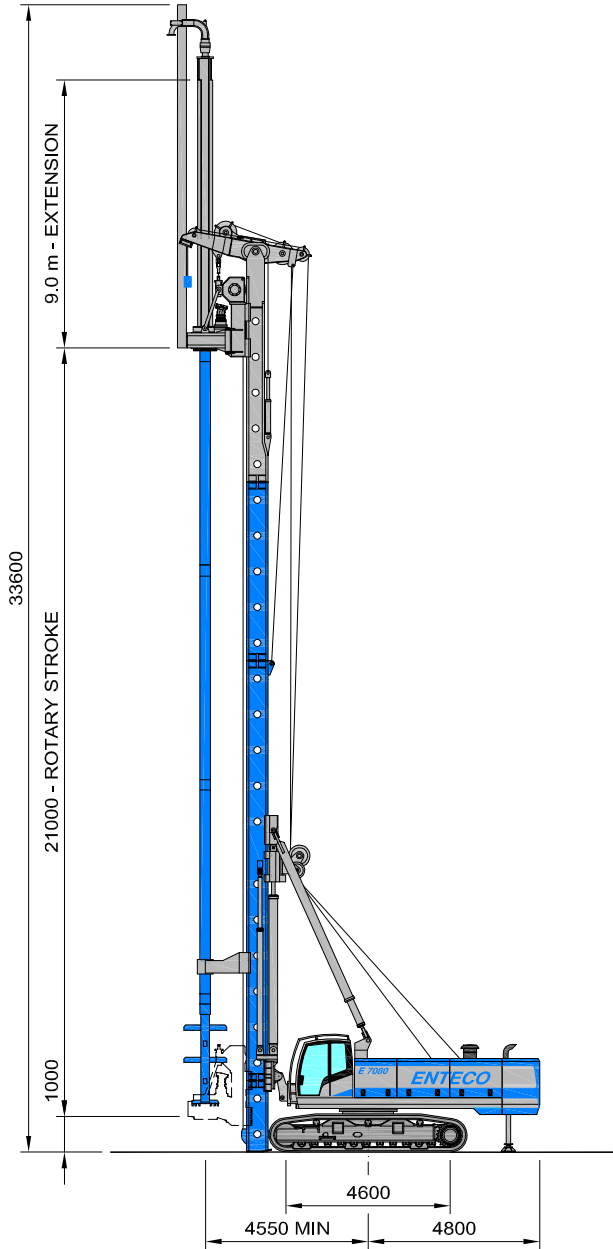


E 7080

SM300

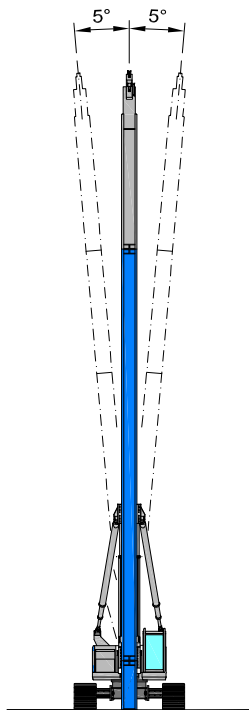
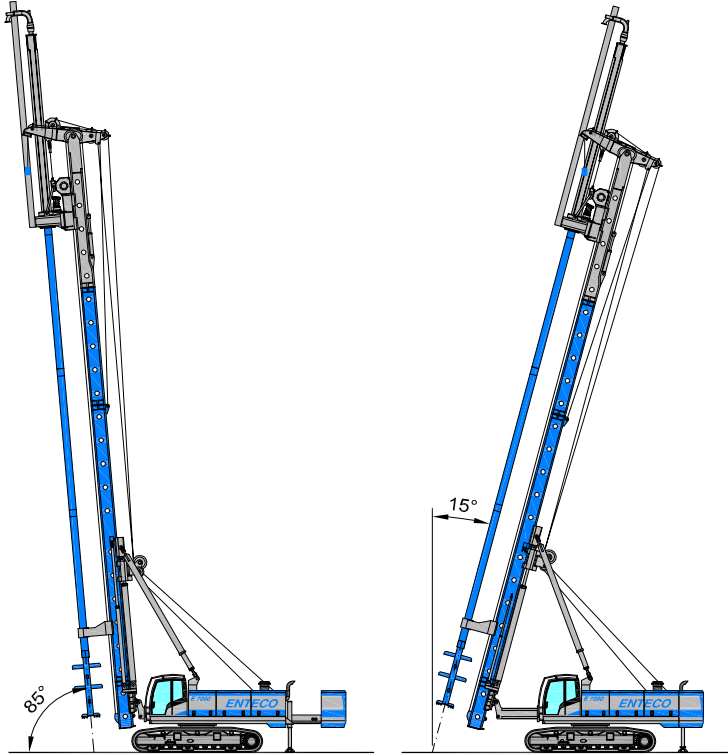
SOIL MIXING KIT



E 7080

SM300

SOIL MIXING KIT



E 7080 - SM300 SOIL MIXING KIT

OPERATING WEIGHT	ton	up to 90
-------------------------	-----	----------

Drilling diameter	mm	600+1500
-------------------	----	----------

Max drilling depth	m	36
--------------------	---	----

MAST

Mast vertical travel	mm	3000
----------------------	----	------

Mast forward stroke	mm	1500
---------------------	----	------

CROWD SYSTEM

WINCH

Rotary stroke	mm	21000
---------------	----	-------

Crowd force	kN	300
-------------	----	-----

Extraction force	kN	840
------------------	----	-----

ROTARY

Model		ENTECO RH51/2
-------	--	---------------

Max torque	kNm	300
------------	-----	-----

Max drilling speed	rpm	33+100
--------------------	-----	--------

Kelly extension	m	6, 9, 12, 15
-----------------	---	--------------

E 7080 - BASE MACHINE

CRAWLERS

Overall width	mm	3000+4500
---------------	----	-----------

Track pads	mm	900
------------	----	-----

Tramming speed	km/h	1.8
----------------	------	-----

DIESEL ENGINE

Model	CATERPILLAR	C13 ACERT	C15 ACERT
-------	-------------	-----------	-----------

Rated power	HP/kW	440/328	540/403
-------------	-------	---------	---------

Fuel tank capacity	litres	750
--------------------	--------	-----

MAIN WINCH

Max line-pull 1st layer	kN	270
-------------------------	----	-----

Free-fall device		option
------------------	--	--------

AUXILIARY WINCH

Max line-pull 1st layer	kN	150
-------------------------	----	-----

Free-fall device		option
------------------	--	--------

COUNTERWEIGHT

Total weight	kg	12000
--------------	----	-------

Counterweight stroke	mm	1500
----------------------	----	------



Via dell'Artigianato, 33 - Z.I. - 30020 Fossalta di Piave - VENEZIA - ITALIA
 Tel +39 0421 67.99.77 - Fax +39 0421 67.99.93 - e-mail: info@entecodrill.com - www.entecodrill.com

E7080 - SM300 1080-038 20120228