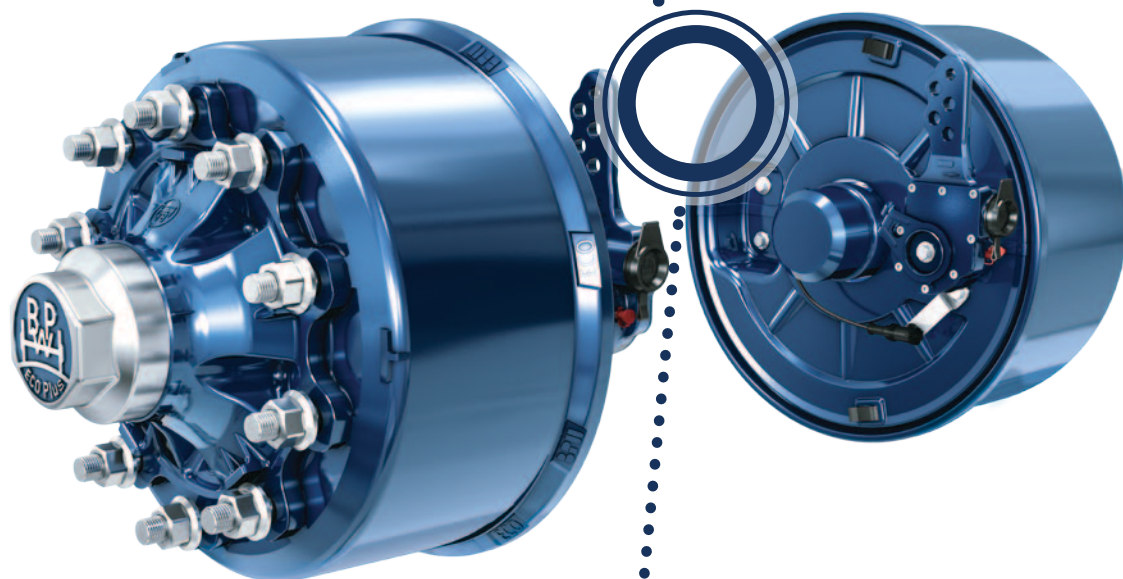
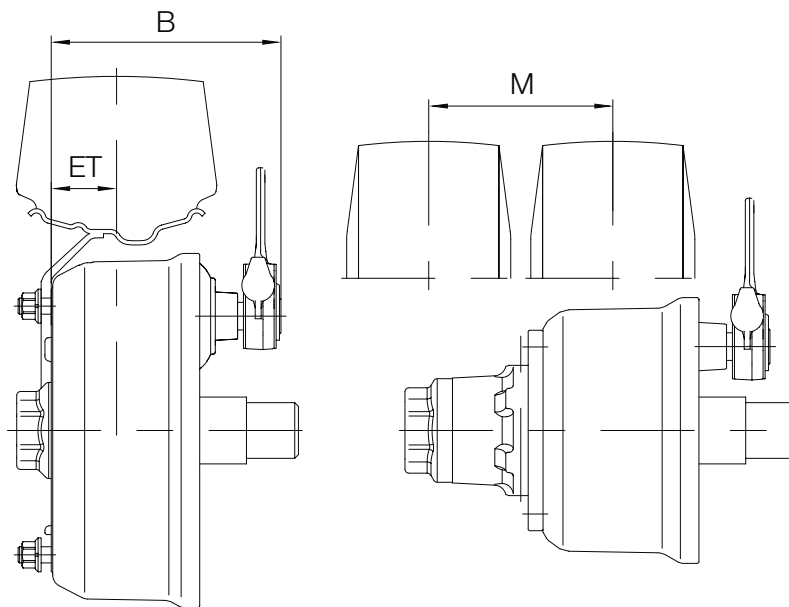


The solution
that always fits.



BPW
Stub axles



Product features

- Axle loads 6 – 60 t
- ABS
- ECO-Master
- ECO Plus hub system
- KTL_{Zn} coating
- Hubs with offset
- Proven BPW technology with high production volumes
- Articulated variants on request

Applications

- Inloader (glass/concrete)
- Double-decker inloader
- Cable transporter
- Bus (airport buses)
- Industrial vehicles

BPW stub axles for 15-inch to 19.5-inch low loader trailer tyres

| Axle type | Axle load | Wheel connection | Brake | Offset ET/M | Dimension B | Tyres |
|-----------|-----------|------------------------|---------|-------------|-------------|--------------|
| NRD ... | 6 t | 10xM22x1.5/Ø225/Ø175.8 | SN 3012 | ET=55 | 311 | 245/70 R17.5 |
| NRD ... | 12 t | 10xM22x1.5/Ø225/Ø175.8 | SN 3020 | M=290 | 382 | 235/75 R17.5 |

BPW stub axles for 20-inch to 24-inch tyres

| Axle type | Axle load | Wheel connection | Brake | Offset ET/M | Maß B | Tyres |
|-----------|-----------|------------------------|---------|-------------|-------|--------------|
| RDV ... | 7.1 t | 10xM22x1.5/Ø335/Ø280.8 | SN 4212 | ET=88 | 310 | 275/70 R22.5 |
| MVB ... | 10 t | 10xM22x1.5/Ø335/Ø280.8 | SN 4218 | ET=40/65 | 316 | 385/65 R22.5 |
| RDS ... | 10 t | 10xM22x1.5/Ø335/Ø280.8 | SN 4218 | ET=0 | 371 | 385/65 R22.5 |
| RDZ ... | 14 t | 10xM22x1.5/Ø335/Ø280.8 | SN 4220 | M=344 | | 12.00 R20 |
| RDZ ... | 16 t | 10xM22x1.5/Ø335/Ø280.8 | SN 4220 | M=432 | | 14.00 R20 |
| MZM ... | 20 t | 10xM24x1.5/Ø335/Ø280.8 | SN 4220 | M=360 | | 325/95 R24 |

The specified axle loads apply to pneumatic tyres up to 105 km/h. In vehicles with a slower permitted maximum speed, the following axle load increases are possible: V_{max} 40 km/h +10%, V_{max} 25 km/h +25%, V_{max} 10 km/h +40%.

BPW heavy duty axle stubs for industrial applications

| Axle type | Axle load | Wheel connection | Brake | Tyres |
|-----------|-----------------|------------------------|---------|--------------------------|
| NMZ ... | 28 t at 10 km/h | 10xM22x1.5/Ø225/Ø175.8 | SN 3020 | 15" pneumatic tyres |
| MZM ... | 60 t at 5 km/h | 24xM22x1.5/Ø425/Ø370.8 | SN 5020 | from 24" pneumatic tyres |

Additional designs on request, such as stub axles without brake.