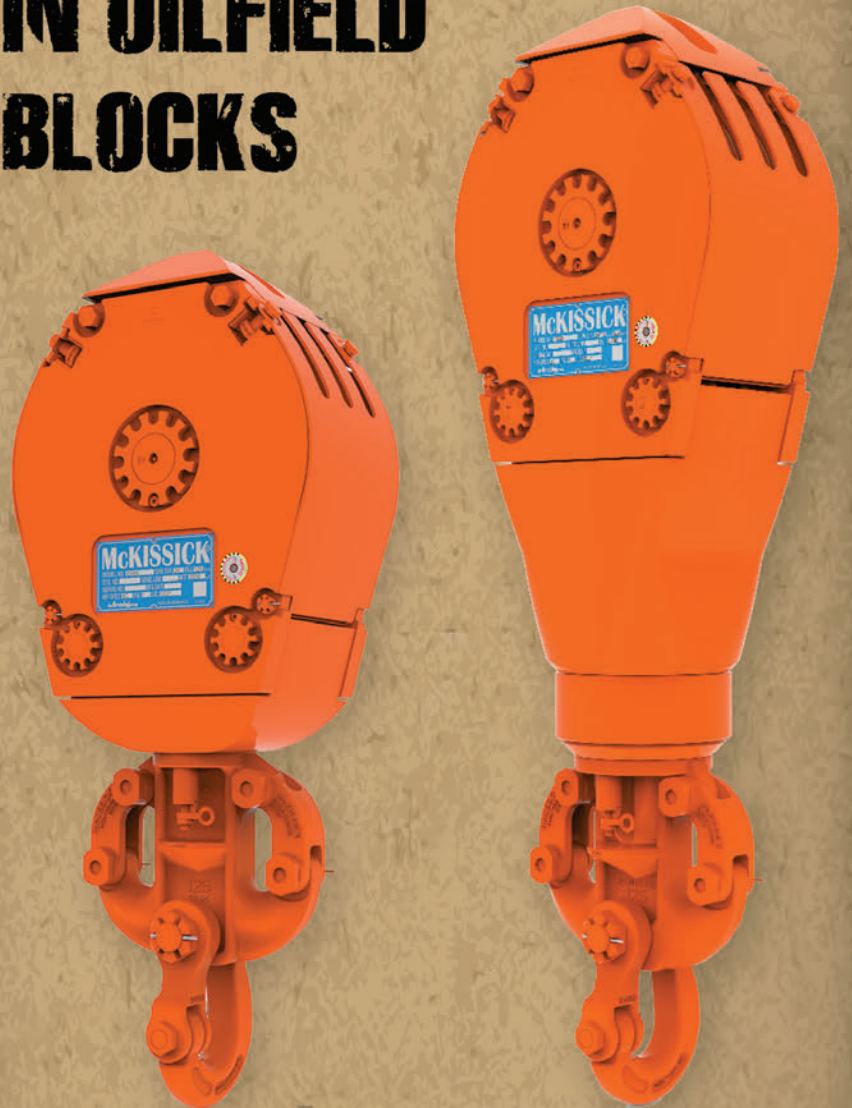


McKISSICK®
Your Total Block Company

THE STRONGEST NAME IN OILFIELD BLOCKS



McKissick® Oilfield Tubing Blocks utilizing new Split Nut Retention System. Revolutionary new retention system eliminates conventional threaded nut and potential problems associated with thread corrosion.

- McKissick Split-Nut® hook parts precision machined and individually fitted for maximum performance.
- Manufactured to API-8C specifications.
- Lock Arms with Self Retaining Bolts.
- All sizes are RFID EQUIPPED.



Licensed Under
API Spec BC-0021



Crosby®

www.thecrosbygroup.com



70 Series

70 Series Tubing Blocks

The 70 Series has a Spring loaded duplex hook assuring ample travel for efficient tubing operations.

Working Load Limit (Tons)	Block Config.*	Wire Line Size (in.)	With Clevis		With Clevis, Weighted		Rod Hook Clevis Working Load Limit (Tons)
			Stock No.	Approx. Weight Each (lbs.)	Stock No.	Approx. Weight Each (lbs.)	
75	20" 73	7/8	111897	2300	112052	2650	35
100	24" 73	1	12000	2800	120600	3375	35
125	24" 73	1	111922	2800	112084	3375	35
150	30" 73	1	120009	4250	120609	5125	35
150	30" 74	1	120027	4825	120627	5675	35
150	30" 74	1-1/8	120036	4825	120636	5675	35
175	30" 74	1	169058	4825	205768	5675	35
175	30" 74	1-1/8	112552	4825	128821	5675	35



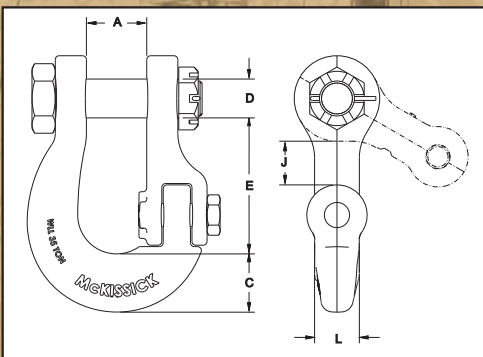
80 Series

80 Series Tubing Blocks

The 80 Series has a rugged duplex hook with a multi-positional locking mechanism.

Working Load Limit (Tons)	Block Config.*	Wire Line Size (in.)	With Clevis		With Clevis, Weighted		Rod Hook Clevis Working Load Limit (Tons)
			Stock No.	Approx. Weight Each (lbs.)	Stock No.	Approx. Weight Each (lbs.)	
50	20" 82	7/8	112252	1325	112448	1600	7.5
75	24" 82	1	112275	1650	112468	2225	35
100	24" 83	1	120209	2175	120809	2750	35
125	24" 83	1	112278	2175	121027	2750	35
150	30" 83	1	120227	3650	120827	4525	35
150	30" 83	1-1/8	120236	3650	120836	4525	35
150	30" 84	1	120409	4175	121009	5050	35
150	30" 84	1-1/8	120418	4175	121018	5050	35
175	30" 83	1-1/8	112290	3650	112502	4525	35
175	30" 84	1	206001	4175	206026	5050	35
175	30" 84	1-1/8	117516	4175	117552	5050	35

Note: Additional configurations available including different wire line options, and assemblies without clevis. Contact Customer Service for these and other customization options.



Tubing Block Rod Hook Clevis

Stock Number*	Clevis WLL (Tons)	Weight Each (lbs)	Block Capacity (Tons)	DIMENSIONS (in.)					
				A	C	D	E	J	L
2037175	35	91	75	3.88	3.75	2.00	9.00	2.81	2.88
2037055	35	98	100-125	3.88	3.75	2.50	8.75	2.81	2.88
2037060	35	117	150-175	5.75	3.75	3.00	10.00	4.06	2.88

* Only available on 75 Tons and larger blocks.



www.thecrosbygroup.com

Scan this QR Code to visit the product page.

