

**McKISSICK**<sup>®</sup>

PROVIDING A VARIETY OF  
CRANE ACCESSORIES TO MEET  
YOUR LIFTING NEEDS



***Your Total Block Company***



English Metric

# Table of Contents

790 Series Metric Crane Blocks ..... 1 - 3

Split-Nut Retention System. .... 4

Replacement Sheave for Crane Blocks. .... 5

Sheave Configurator ..... 6 - 7

Special Engineered Product Forms ..... 8

Top Swiveling Overhaul Balls. .... 9

S-421T TERMINATOR™ Wedge Sockets ..... 10

US-422T Utility Wedge Sockets ..... 11

SB-427 Button Spelter Sockets. .... 12

S-423T Super Terminator™ ..... 13

## Crosby® Block and Sheave Center

For more than seventy five years, Crosby®, through it’s McKissick® Products brand, has been committed to being the world leader in providing quality crane blocks and sheaves.

That commitment has been further strengthened by the recent decision to build a new product center in Belgium that will service EMEA markets with McKissick® sheaves and crane blocks.

We are excited to inform you that McKissick® Roll-Forged™ sheaves and McKissick® crane blocks are now manufactured and stocked in our Heist-op-den-Berg warehouse (just outside Antwerp).



The focus of the new facility will be on the production and sales of the various McKissick® products highlighted in this brochure.

Crosby® McKissick® designs and manufactures blocks for a wide variety of applications.

*Remember, “When buying Crosby, you’re buying more than product, you’re buying Quality”!*

# McKissick<sup>®</sup> Metric Easy Reeve<sup>®</sup> Crane Blocks

## 790 Series Metric Easy Reeve<sup>®</sup> Hook Blocks

- Wide range of product available.
  - Standard and Weighted versions
  - Capacity: 8 to 80 tonnes - Larger models available upon request.
  - Sheave Sizes: 300mm to 650mm
  - Wire Line Sizes: 12mm to 32mm
- Equipped with removable pull-pins to allow block reeving without removing the wedge sockets.
- Mechanism Group Classification according to DIN , FEM and ISO.
- All single point shank hooks meet DIN 15401 (DIN 15402 duplex hooks are available on most sizes).
- Design factor of 4 to 1 (unless otherwise noted).
- All Metric Easy Reeve<sup>®</sup> Blocks are furnished standard with full compliment cylinder roller bearings with seals.
- Reeving Guides Standard - All Models.
- Hooks are furnished with Crosby S-4055-DIN latch.
- Bearings sealed for life.
- Sheaves fully protected by side plates.
- Dual action hook (swings and rotates).
- Repair parts available through world wide distribution network.
- All Metric Easy Reeve<sup>®</sup> blocks, 400mm and larger, are furnished with McKissick<sup>®</sup> Roll-Forged<sup>™</sup> sheaves with flame hardened grooves.
- Manufactured by an ISO 9001 and API Q1 certified facility.
- "Look for the Orange Hook . . . the mark of genuine McKissick<sup>®</sup> quality".

## OPTIONS AVAILABLE

- DIN 15402 Hooks - "Rams Horn"
- Swivel Tee and Shackle Assemblies
- Sheave Shrouds
- Heavy Duty Latch
- Third party testing with Certification available upon request.
- McKissick<sup>®</sup> Split-Nut<sup>™</sup> retention system



**SEE APPLICATION AND WARNING INFORMATION**

See Crosby Catalog

Center "Dead End" to promote better block travel under various reeving configurations.



*Flat Bottom* side plate for self standing during reeving process.



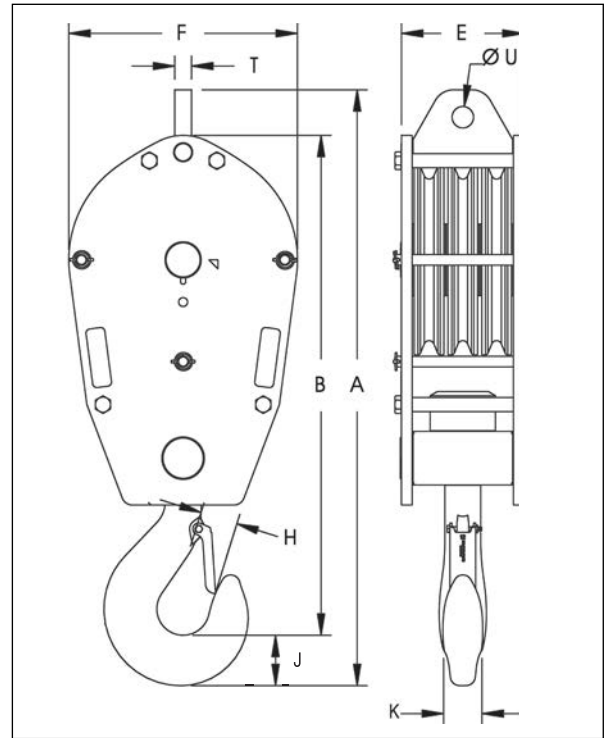


**Table - Standard Wire Line Sizes For McKissick® 790 Crane Blocks**

Sheave Diameter (mm)	Sheave Wire Line Size (mm)																															
	12	13	14	15	16	17	18	19	20	21	22	23	24	25	26	27	28	29	30	32												
300																																
350																																
400																																
450																																
500																																
550																																
600																																
650																																

**Key to McKissick® Metric Crane Block Model Numbers**

ME	10	S	35	S	1
McKissick® Metric Crane Block	Working Load Limit (t)	Number of Sheaves	Sheave Diameter (O.D.) (mm)	Block Weight	Hook Type 1=Din 15401 2=Din 15402
		S = 1 D = 2 T = 3 Q = 4 QN = 5		S = Standard W = Weighted	
		Multiply Value times 10 (i.e., 35 = 350mm)			



Model Number	Inquiry Stock Number	Working Load Limit (t)	A Overall Length (mm)	B Net Length (mm)	E Thickness (mm)	F Width (mm)	H Throat Opening (mm)	J Hook Thickness (mm)	K Hook Width (mm)	Standard Wireline Sizes Available (mm) (see table above)	Dead End		Weight Each (kg)
											T Thickness (mm)	U Pin Hole (mm)	
<b>8 Tonnes</b>													
ME8S30S1	2035000	8	1008	861	138	392	56	67	53	12,13,14,15	22	44	95
ME8S30W1	2035003	8	1008	861	240	392	56	67	53	12,13,14,15	22	44	168
<b>10 Tonnes</b>													
ME10S35S1	2035006	10	1058	911	138	442	56	67	53	14, 15, 16, 17	22	44	108
ME10S35W1	2035009	10	1058	911	240	442	56	67	53	14, 15, 16, 17	22	44	190
ME10S40S1	2035012	10	1158	1011	138	492	56	67	53	17, 18, 19, 20	22	44	132
ME10S40W1	2035015	10	1158	1011	240	492	56	67	53	17, 18, 19, 20	22	44	245
ME10D30S1	2035018	10	1008	861	138	392	56	67	53	12, 13, 14, 15, 16, 17	22	44	108
ME10D30W1	2035021	10	1008	861	240	392	56	67	53	12, 13, 14, 15, 16, 17	22	44	176
<b>15 Tonnes</b>													
ME15S35S1	2035024	15	1058	911	138	442	56	67	53	14, 15, 16, 17	22	44	109
ME15S35W1	2035027	15	1058	911	240	442	56	67	53	14, 15, 16, 17	22	44	191
ME15S40S1	2035030	15	1158	1011	138	492	56	67	53	17, 18, 19, 20	22	43	134
ME15S40W1	2035033	15	1158	1011	240	492	56	67	53	17, 18, 19, 20	22	43	258
ME15S45S1	2035036	15	1218	1071	138	542	56	67	53	19, 20, 21	22	43	148
ME15S45W1	2035039	15	1218	1071	240	542	56	67	53	19, 20, 21	22	43	279
ME15D35S1	2035042	15	1058	911	138	442	56	67	53	14, 15, 16, 17	22	43	108
ME15D35W1	2035045	15	1058	911	240	442	56	67	53	14, 15, 16, 17	22	43	205
<b>20 Tonnes</b>													
ME20S45S1	2035048	20	1291	1115	153	542	71	85	67	19, 20, 21	30	43	172
ME20S45W1	2035051	20	1291	1115	255	542	71	85	67	19, 20, 21	30	43	307
ME20S50S1	2035054	20	1369	1193	153	592	71	85	67	21, 22, 23	30	59	198
ME20S50W1	2035057	20	1369	1193	255	592	71	85	67	21, 22, 23	30	59	365
ME20D40S1	2035060	20	1236	1060	153	492	71	85	67	17, 18, 19, 20	30	59	174
ME20D40W1	2035063	20	1236	1060	255	492	71	85	67	17, 18, 19, 20	30	59	293
ME20T35S1	2035066	20	1137	985	176	442	71	85	67	14, 15, 16, 17	30	43	162
ME20T35W1	2035069	20	1137	985	278	442	71	85	67	14, 15, 16, 17	30	43	253
<b>25 Tonnes</b>													
ME25S55S1	2035072	25	1421	1245	153	642	71	85	67	23, 24, 25, 26, 27	30	43	222
ME25S55W1	2035075	25	1421	1245	255	642	71	85	67	23, 24, 25, 26, 27	30	43	410
ME25S60S1	2035078	25	1481	1305	153	692	71	85	67	27, 28, 29	30	59	247
ME25S60W1	2035081	25	1481	1305	255	692	71	85	67	27, 28, 29	30	59	461
ME25D45S1	2035084	25	1291	1115	153	542	71	85	67	19, 20, 21	30	43	187
ME25D45W1	2035087	25	1291	1115	255	542	71	85	67	19, 20, 21	30	43	323
ME25D50S1	2035090	25	1369	1193	153	592	71	85	67	21, 22, 23	30	43	224
ME25D50W1	2035093	25	1369	1193	255	592	71	85	67	21, 22, 23	30	43	389
ME25T35S1	2035096	25	1137	985	176	442	71	85	67	14, 15, 16, 17	30	43	162



Model Number	Inquiry Stock Number	Working Load Limit (t)	A Overall Length (mm)	B Net Length (mm)	E Thickness (mm)	F Width (mm)	H Throat Opening (mm)	J Hook Thickness	K Hook Width (mm)	Standard Wireline Sizes (mm) (see table above)	Dead End		Weight Each (kg)
											T Thickness (mm)	U Pin Hole (mm)	
ME25T35W1	2035099	25	1137	985	278	442	71	85	67	14, 15, 16, 17	30	43	253
<b>32 Tonnes</b>													
ME32S65S1	2035102	32	1678	1469	188	742	80	95	75	28, 29, 30, 32	38	65	314
ME32S65W1	2035105	32	1678	1469	290	742	80	95	75	28, 29, 30, 32	38	65	585
ME32D50S1	2035108	32	1442	1259	188	592	80	95	75	21, 22, 23	38	65	257
ME32D50W1	2035111	32	1442	1259	290	592	80	95	75	21, 22, 23	38	65	424
ME32D55S1	2035114	32	1492	1309	188	642	80	95	75	23, 24, 25, 26, 27	38	65	286
ME32D55W1	2035117	32	1492	1309	290	642	80	95	75	23, 24, 25, 26, 27	38	65	489
ME32T40S1	2035120	32	1303	1094	218	492	80	95	75	17, 18, 19, 20	30	43	230
ME32T40W1	2035123	32	1303	1094	320	492	80	95	75	17, 18, 19, 20	30	43	356
<b>35 Tonnes</b>													
ME35D50S1	2035126	35	1442	1259	188	592	80	95	75	21, 22, 23	38	65	257
ME35D50W1	2035129	35	1442	1259	290	592	80	95	75	21, 22, 23	38	65	424
ME35D55S1	2035132	35	1492	1309	188	642	80	95	75	23, 24, 25, 26, 27	38	65	286
ME35D55W1	2035135	35	1492	1309	290	642	80	95	75	23, 24, 25, 26, 27	38	65	489
ME35T45S1	2035138	35	1333	1094	218	542	80	95	75	19, 20, 21	38	65	230
ME35T45W1	2035141	35	1333	1094	320	542	80	95	75	19, 20, 21	38	65	356
<b>40 Tonnes</b>													
ME40T45S1	2035144	40	1325	1123	252	542	90	106	85	19, 20, 21	36	53	316
ME40T45W1	2035147	40	1325	1123	353	542	90	106	85	19, 20, 21	36	53	442
ME40T50S1	2035150	40	1375	1173	252	592	90	106	85	21, 22, 23	36	53	361
ME40T50W1	2035153	40	1375	1173	353	592	90	106	85	21, 22, 23	36	53	528
ME40Q40S1	2035156	40	1280	1078	319	542	90	106	85	17, 18, 19, 20	38	65	343
ME40Q40W1	2035159	40	1280	1078	420	542	90	106	85	17, 18, 19, 20	38	65	469
<b>45 Tonnes</b>													
ME45T45S1	2035162	45	1325	1123	252	542	90	106	85	19, 20, 21	36	53	316
ME45T45W1	2035165	45	1325	1123	353	542	90	106	85	19, 20, 21	36	53	442
ME45T50S1	2035168	45	1375	1173	252	592	90	106	85	21, 22, 23	36	53	361
ME45T50W1	2035171	45	1375	1173	353	592	90	106	85	21, 22, 23	36	53	528
ME45Q45S1	2035174	45	1310	1108	319	542	90	106	85	19, 20, 21	38	65	359
ME45Q45W1	2035177	45	1310	1108	420	542	90	106	85	19, 20, 21	38	65	488
<b>50 Tonnes</b>													
ME50T45S1	2035180	50	1412	1185	291	542	100	118	95	19, 20, 21	36	59	361
ME50T45W1	2035183	50	1412	1185	392	542	100	118	95	19, 20, 21	36	59	743
ME50T50S1	2035186	50	1462	1245	291	592	100	118	95	21, 22, 23	36	59	405
ME50T50W1	2035189	50	1462	1245	392	592	100	118	95	21, 22, 23	36	59	567
ME50Q45S1	2035192	50	1412	1185	319	542	100	118	95	19, 20, 21	38	65	390
ME50Q45W1	2035195	50	1412	1185	420	542	100	118	95	19, 20, 21	38	65	545
ME50QN45S1	2035198	50	1412	1185	532	542	100	118	95	19, 20, 21	38	65	578
ME50QN45W1	2035201	50	1412	1185	634	542	100	118	95	19, 20, 21	38	65	775
<b>55 Tonnes</b>													
ME55T55S1	2035204	55	1512	1295	291	642	100	118	95	23, 24, 25, 26, 27	36	59	461
ME55T55W1	2035207	55	1512	1295	392	642	100	118	95	23, 24, 25, 26, 27	36	59	651
ME55Q45S1	2035210	55	1412	1185	319	542	100	118	95	19, 20, 21	36	59	390
ME55Q45W1	2035213	55	1412	1185	420	542	100	118	95	19, 20, 21	36	59	545
ME55QN45S1	2035216	55	1412	1185	532	542	100	118	95	19, 20, 21	38	65	578
ME55QN45W1	2035219	55	1412	1185	634	542	100	118	95	19, 20, 21	38	65	775
<b>60 Tonnes</b>													
ME60T55S1	2035222	60	1512	1295	291	642	100	118	95	23, 24, 25, 26, 27	36	59	461
ME60T55W1	2035225	60	1512	1295	392	642	100	118	95	23, 24, 25, 26, 27	36	59	651
ME60Q45S1	2035228	60	1412	1185	319	542	100	118	95	19, 20, 21	38	65	390
ME60Q45W1	2035231	60	1412	1185	420	542	100	118	95	19, 20, 21	38	65	545
ME60QN45S1	2035234	60	1412	1185	532	542	100	118	95	19, 20, 21	38	65	578
ME60QN45W1	2035237	60	1412	1185	634	542	100	118	95	19, 20, 21	38	65	775
<b>70 Tonnes</b>													
ME70T65S1	2035240	70	1750	1518	291	742	112	132	106	28, 29, 30, 32	44	65	617
ME70T65W1	2035243	70	1750	1518	392	742	112	132	106	28, 29, 30, 32	44	65	895
ME70Q60S1	2035246	70	1700	1468	371	692	112	132	106	27, 28, 29, 30	44	65	694
ME70Q60W1	2035249	70	1700	1468	422	692	112	132	106	27, 28, 29, 30	44	65	950
ME70QN45S1	2035252	70	1470	1228	532	542	112	132	106	19, 20, 21	38	65	657
ME70QN45W1	2035255	70	1470	1228	634	542	112	132	106	19, 20, 21	38	65	882
<b>80 Tonnes</b>													
ME80T65S1	2035258	80	1750	1518	291	742	112	132	106	28, 29, 30, 32	44	65	617
ME80T65W1	2035261	80	1750	1518	392	742	112	132	106	28, 29, 30, 32	44	65	895
ME80QN45S1	2035270	80	1470	1228	532	542	112	132	106	19, 20, 21	38	65	657
ME80QN45W1	2035273	80	1470	1228	634	542	112	132	106	19, 20, 21	38	65	882
ME80QN50S1	2035264	80	1520	1288	532	592	112	132	106	21, 22, 23	38	65	723
ME80QN50W1	2035267	80	1520	1288	634	592	112	132	106	21, 22, 23	38	65	812

# McKissick® Split-Nut Retention System

## Crosby® - Real Life Solutions

Innovative McKissick® Split-Nut Retention System Makes Inspection Easier.

### Crane Block Hook Inspection in 4 Easy Steps

#### STEP 1

Remove protective vinyl cover



#### STEP 2

Remove retaining ring



#### STEP 3

Slide keeper ring off split nuts



#### STEP 4

Easily remove split nut halves to inspect shank hook



\* U.S. Patent 7,000,905 and 7,293,763

Shank hooks on crane blocks must be inspected in accordance with applicable ASME B30, CSA Z150 and other crane standards. These standards mandate the crane hook to be inspected for surface indications, damage and corrosion which could compromise the integrity of the crane block. Because of the type of environment in which these hooks are required to perform, the removal of corroded nuts from the threads can become a problem during inspections. The innovative patented\* Split-Nut Retention System featured on McKissick® crane blocks makes inspection easier. With 4 easy steps, the hook can be disassembled, inspected and put back into service in a fraction of the time of a conventional threaded nut.



*Fatigue Rated*

The Split-Nut is available upon request for McKissick® 790 Series Metric Easy Reeve® crane blocks.

- Allows for easy inspection as required by ASME B30, CSA Z150 and other crane standards
- Eliminates conventional threaded nut and problems associated with the nut removal for inspection.
- Allows repeated installation and removal without risk of damage to hook/nut interface.
- Zinc plated finish for corrosion resistance
- Replacement hook and trunnion assemblies available for selected McKissick® 380, Easy Reeve® and 790 blocks with threaded hooks.

The new patented\* Split-Nut can be purchased in a variety of configurations that can be used to retrofit the following McKissick® blocks in the field or in the shop.

- Over 80 tons and larger crane blocks, upon request
- Bridge crane blocks
- 80 Series tubing blocks

In addition, the Split-Nut can be used to replace existing hooks on existing crane blocks currently in the field (most manufacturers' makes and models) and on special designed lifting equipment.

**McKISSICK**®  
Your Total Block Company

**Crosby**®

www.thecrosbygroup.com

## McKissick<sup>®</sup> Roll-Forged<sup>™</sup> Sheaves

REPLACEMENT SHEAVES FOR MCKISSICK<sup>®</sup> 790 SERIES CRANE BLOCKS

When ordering a replacement sheave please provide the following information

1. Serial number of the block

OR

1. Sheave OD

2. Wire Line Size

3. Bearing Size

Call Crosby customer service for assistance to determine the correct sheave.

### Features and Options of McKissick<sup>®</sup> Roll Forged Sheaves



- Diameters range from 305 mm through 1829 mm
- Wire line sizes range from 9.5 mm through 76.2 mm
- Grooves are flame hardened to minimum Rockwell C35 on 355.6 mm and larger O.D. sheaves for extra wear resistance.
- Unique upset roll forging process provides:
  - A thicker groove section for extra strength
  - A perfectly balanced sheave
- Stepped hubs are precisely centered and mechanically locked in place
- All sheaves have solid steel webs with holes for ease of handling
- Sheaves contain groove angle of 45°
- McKissick Roll Forged sheaves can be manufactured to meet specifications such as A.P.I. (American Petroleum Institute) and A.I.S.E. (Association of Iron and Steel Engineers).
- Roll Forged sheaves come in a variety of sizes and bearing styles to better meet your application needs. See the Crosby General Catalog for additional information on sheaves.
- McKissick Roll Forged Sheaves can be custom designed and manufactured to meet your exact specifications.



Licensed Under  
API Spec 8C-0021

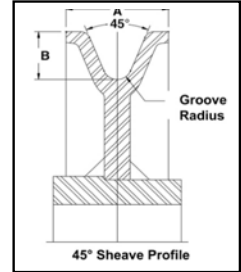
# Metric McKissick® Roll-Forged™ Sheaves

## Selecting your Sheave O.D. / Wire Line Size Combinations

To ease the effort in choosing the proper standard McKissick® Roll Forged™ sheave required for your application, we have simplified our product offering. The table below indicates the standard "Sheave O.D. / Wire Line Sizes that are available.

## How to Read the Table

- Cells outlined in **RED** represent the standard O.D. / Wire Line combinations available with the Sheave Configurator program.



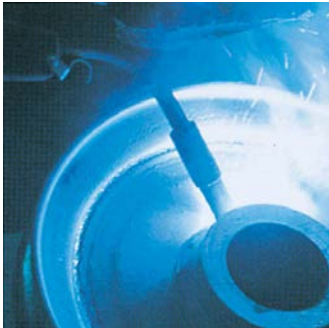
## SHEAVE O.D. / WIRE LINE INFORMATION

Wire Line Size (mm)	Nominal Dimensions (mm)		Groove Radius (mm)		Sheave O.D. (mm)													
	A	B	MIN	MAX	280	300	320	350	400	450	500	520	550	600	630	650	700	800
11	40	19	5.83	6.05	Red													
12	40	18	6.36	6.60	Red													
13	40	18	6.89	7.15														
11	40	19.5	5.38	6.05		Red												
12	40	20.5	6.36	6.60		Red												
13	40	19.5	6.89	7.15		Red												
14	40	21	7.42	7.70		Red												
15	40	21	7.95	8.25		Red												
16	45	25	8.48	8.80		Red												
17	45	25	9.01	9.35		Red												
13	40	23	6.89	7.15			Red											
14	40	22	7.42	7.70			Red											
15	40	22	7.95	8.25			Red											
15	45	25	7.95	8.25				Red										
16	45	24	8.48	8.80				Red										
17	45	24	9.01	9.35				Red										
15	45	26	7.95	8.25					Red									
16	45	25	8.48	8.80					Red									
17	50	28	9.01	9.35					Red									
18	50	27	9.54	9.90					Red									
19	55	28.5	10.07	10.45					Red									
20	55	25.5	10.60	11.00					Red									
21	60	34	11.13	11.55					Red									
22	60	33	11.66	12.10					Red									
23	60	33	12.19	12.65					Red									
19	55	31	10.07	10.45						Red								
20	55	30	10.60	11.00						Red								
21	55	30	11.13	11.55						Red								
21	60	34	11.13	11.55						Red								
22	60	33	11.66	12.10						Red								
23	60	33	12.19	12.65						Red								
21	60	34	11.13	11.55						Red								
22	60	33	11.66	12.10						Red								
23	60	33	12.19	12.65						Red								
23	65	37	12.19	12.65							Red							
24	65	36	12.72	13.20							Red							
25	65	36	13.25	13.75							Red							
26	70	39	13.78	14.30								Red						
27	70	39	14.31	14.85								Red						
23	65	37	12.19	12.65									Red					
24	65	36	12.72	13.20									Red					
25	65	36	13.25	13.75									Red					
26	70	39	13.78	14.30									Red					
27	75	43	14.31	14.85									Red					
28	75	42	14.84	15.40									Red					
29	75	42	15.37	15.95									Red					
27	75	43	14.31	14.85									Red					
28	75	43	14.84	15.40									Red					
29	75	42	15.37	15.95									Red					
28	80	47	14.84	15.40									Red					
29	80	46	15.37	15.95									Red					
30	80	45	15.90	16.50									Red					
32	80	45	16.96	17.60									Red					
30	90	50	15.90	16.50									Red					
32	90	48	16.96	17.60									Red					
34	90	48	18.02	18.70									Red					
34	100	56	18.02	18.70									Red					
36	100	54	19.08	19.80									Red					
38	100	54	20.14	20.90									Red					

Sheave configurator is available online at [www.eu.crosbyshvconfig.net](http://www.eu.crosbyshvconfig.net)



# McKissick<sup>®</sup> Metric Roll-Forged<sup>™</sup> Sheave Configurator



## What It Does For You

The McKissick<sup>®</sup> Roll-Forged<sup>™</sup> Sheave Configurator System has been developed to simplify the selection and ordering of McKissick<sup>®</sup> Roll-Forged<sup>™</sup> sheaves. Although McKissick<sup>®</sup> can custom manufacture any Roll Forged<sup>™</sup> sheave to your exact requirements, we have developed the Configurator System to allow quick and easy selection of the proper standard McKissick<sup>®</sup> Roll-Forged<sup>™</sup> sheave required to meet your application. Using standard sheaves will reduce the lead time in getting the sheave to you, thus saving time and money.

For additional information on the McKissick<sup>®</sup> Roll-Forged<sup>™</sup> Sheave Configurator system, contact your local authorized Crosby Dealer or Crosby Customer Service.

## USING THE CONFIGURATOR

Using the Configurator is as simple as following these 5 steps. The result is a sheave number representing the standard McKissick<sup>®</sup> Roll-Forged<sup>™</sup> sheave you desire.

**STEP 1**

Determine the standard O.D. of the sheave you desire in the *Sheave O.D. / Wire Line Information Table*.

**STEP 2**

Determine the Wire Line No. located in the *Sheave O.D. / Wire Line Information Table*.

280	12	P	T	07
-----	----	---	---	----

**STEP 3**

Determine if you want to receive the sheave with bearing assembled or simply machined for the bearing and / or thrust washer you provide.

**STEP 4**

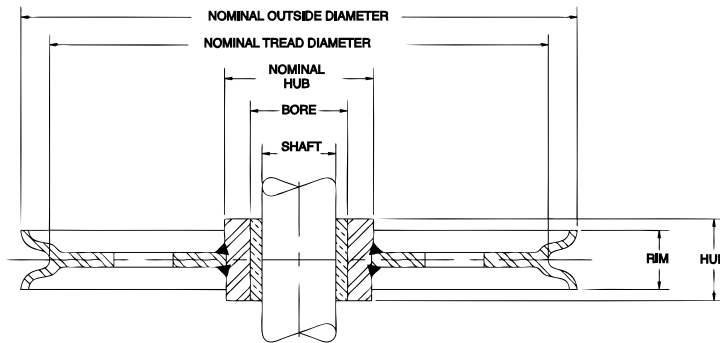
Determine the proper bearing or bushing you will require based on your application. (See Bearing Application Maintenance Summary Table page of the Crosby General Catalog.

**STEP 5**

Determine the proper Bearing No. for size bearing required. The hub of the sheave will be machined to those dimensions. Based on your answer to Step 3, we will either install the desired bearing into the sheave, or simply ship the sheave machined.

# McKissick® Custom Sheaves

Customer Name:		Date:
Address:	City:	State, Zip:
Phone:	Fax:	E-Mail:
Customer Contact Name:		Quantity:



**DIMENSIONAL INFORMATION**

Nominal Outside Diameter: \_\_\_\_\_ Wire Rope Size: \_\_\_\_\_ Rim Width: \_\_\_\_\_  
 + Shaft Size: \_\_\_\_\_ \* Hub Width: \_\_\_\_\_  
 Nominal Tread Diameter (Optional): \_\_\_\_\_ Nominal Hub Diameter (Optional): \_\_\_\_\_

+ Shaft size is bore size on Plain Bore Sheaves.  
 \* Hub width is measured over the cone of the Tapered Bearing Sheaves.

**BEARING TYPE**

<input type="checkbox"/> Bronze Bushing	<input type="checkbox"/> Ball Bearing
<input type="checkbox"/> Tapered Roller Bearing	<input type="checkbox"/> Finish / Plain Bore
<input type="checkbox"/> Roller Bearing (requires hardened and ground shaft)	<input type="checkbox"/> Underwater
<input type="checkbox"/> Full Complement Double-Row Cylindrical Roller Bearings with Seals	<input type="checkbox"/> Other

**MATERIAL TYPE**

<input type="checkbox"/> Roll Forged (Flame hardened 14" (356mm) and larger)	<input type="checkbox"/> Forged Steel
<input type="checkbox"/> Cast Steel	<input type="checkbox"/> Domed
<input type="checkbox"/> Fabricated	<input type="checkbox"/> Other

**APPLICATION INFORMATION**

Line Pull: \_\_\_\_\_ Fleet Angle: \_\_\_\_\_ Degree of Wrap: \_\_\_\_\_  
 Line Speed: \_\_\_\_\_ Environment: \_\_\_\_\_ Groove Angle: \_\_\_\_\_

**SPECIAL REQUIREMENTS**

Special Testing: \_\_\_\_\_  
 Finish: \_\_\_\_\_  
 Third Party Inspection / Approval: \_\_\_\_\_  
(If 3rd party inspection or approval is required, please contact Crosby Customer Service.)

**NOTE: Crosby manufactures sheaves in a wide array of styles and sizes. See Crosby General Catalogue.**

# McKissick® Overhaul Balls

## UB500 SERIES TOP SWIVELING OVERHAUL BALLS



DIN 75401  
Eye Hook



S1316A  
SHUR-LOC®  
Eye Hook



Both styles  
available with optional  
McKissick® Wedge Socket  
Assembly or S-421T  
TERMINATOR™ Wedge Socket



UWO 422T TERMINATOR™  
Wedge Only

- Sizes 4 tonnes through 10 tonnes available with Crosby's S1316A "Positive Locking" SHUR-LOC® hook which may be used for lifting personnel. Meets OSHA Rule 1926.1431(g)(i)(1)(A) and 1926.1501(g)(4)(iv)(B).
- Design Factor 4:1.
- The top swivel design on the UB500 assures the ball remains stationary if the wire line spins.
- The swivel incorporates a sealed roller thrust bearing together with a grease fitting for easy lubrication.
- Each ball can be equipped with the new McKissick® US-422T Wedge Socket which can be easily adjusted to fit various sizes of wire rope by changing the wedge (Ensure that correct wedge is used for selected wire rope size).
- All hooks are forged alloy steel, and come complete with latches.
- All sizes are equipped with DIN 75401 Class 8 hook with 4055 latch.
- DIN 75401 eye-hooks are available upon request.

Overhaul Ball Assembly					Optional US-422T Wedge Sockets						Optional S-421T TERMINATOR™ Wedge Socket Assembly	
McKissick® UB500 Model No.	UB500 "E" 320 Eye Hook Stock No.	UB500 "S" SHUR-LOC® Stock No.	Working Load Limit (t)	Weight Each (kg)	Wire Rope Size (mm)	Model No.	Wedge Socket Assy. Stock No.	Weight Each (kg)	Wedge Only Stock No.	Weight Each (kg)	Wire Rope Size (mm)	S-421T Stock No.
MB4T35	1036000	1036005	3.6	26.3	10	US4T	1044300	2.1	1047310	.27	13	1035009
MB4T85	1036009	1036018	3.6	46.3	11	US4T	1044309	2.1	1047301	.27	16	1035018
MB4T150	1036027	1036032	3.6	73.5	13	US4T	1044318	2.1	1047329	.27		
MB4T200	1036036	1036041	3.6	91.2	13	US5T	1044327	3.9	1047338	.45		
MB7T85	1036045	1036050	6.3	49.4	14	US5T	1044336	3.9	1047347	.45		
MB7T150	1036054	1036063	6.3	77.1	16	US5T	1044345	3.9	1047356	.45		
MB7T200	1036072	1036077	6.3	95.3	16	US6T	1044354	4.3	1047365	.64		
MB7T285	1036081	1036086	6.3	146	19	US6T	1044363	4.3	1047374	.64		
MB10T150	1036090	1036095	9.0	98	16	US6T	1044354	4.3	1047365	.64	19	1035027
MB10T200	1036099	1036108	9.0	118	19	US6T	1044363	4.3	1047374	.64	22	1035036
MB10T285	1036117	1036122	9.0	166	22	US8T	1044404	9.4	1047425	3.4		
MB10T350	1036126	1036131	9.0	183	25	US8T	1044417	9.4	1047431	3.9		
MB10T650	1036135	1036140	9.0	326	28	US10T	1044426	21.1	1047440	5.7		
MB12T150	1036144	1036520	10.8	98	32	US10T	1044435	21.1	1047459	6.8		
MB12T200	1036153	1036529	10.8	117								
MB12T285	1039171	1036538	10.8	166								
MB12T350	1036180	1036547	10.8	183								
MB12T650	1036189	1036556	10.8	326								
MB15T200	1036198	1036565	13.5	135	16	US8AT	1044372	7.9	1047383	2.0	19	1035027
MB15T350	1036207	1036574	13.5	207	19	US8AT	1044381	7.9	1047392	2.2	22	1035036
MB15T650	1036216	1036583	13.5	342	22	US8T	1044404	9.4	1047425	3.4		
MB15T1150	1036225	1036592	13.5	595	25	US8T	1044417	9.4	1047431	3.9		
MB20T200	1036234	1036611	18.0	135	28	US10T	1044426	21.1	1047440	5.7		
MB20T350	1036243	1036620	18.0	207	32	US10T	1044435	21.1	1047459	6.8		
MB20T650	1036252	1036629	18.0	342								
MB20T1150	1036261	1036638	18.0	595								
MB25T350	1036270	1036647	22.5	242								
MB25T650	1036279	1036656	22.5	392								
MB25T1150	1036288	1036665	22.5	645								
MB30T650	1036297	1036674	27.0	392								
MB30T1150	1036306	1036683	27.0	645								

Standard Crosby S-5 Thrust style swivels can not be used with UB500 Overhaul Balls. For replacement swivels, contact Crosby customer service.

# S-421T Wedge Sockets

QUIC-CHECK®



Scan this QR code with your smart device to view our Terminator video.



**SEE APPLICATION AND WARNING INFORMATION**

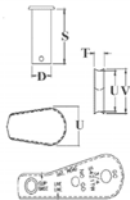
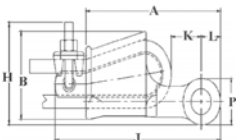
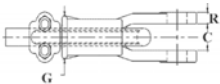
See Crosby Catalog

## S-421T



Wedge sockets meet the performance requirements of Federal Specification RR-S-550E, Type C, except those provisions required of the contractor.

- Wedge socket terminations have an efficiency rating of 80% based on the catalog strength of XXIP wire rope.
- Meets or exceeds all requirements of ASME B30.26 including identification, ductility, design factor, proof load and temperature requirements. Importantly, these sockets meet other critical performance requirements including fatigue life, impact properties and material traceability, not addressed by ASME B30.26.
- Type Approval and certification in accordance with ABS 2007 Steel Vessel Rules 1-1-17.7, and ABS Guide for Certification of Cranes.
- Basket is cast steel and individually magnetic particle inspected.
- Pin diameter and jaw opening allows wedge and socket to be used in conjunction with closed swage and spelter sockets.
- Secures the tail or "dead end" of the wire rope to the wedge, thus eliminates loss or "Punch out" of the wedge.
- Eliminates the need for an extra piece of rope, and is easily installed.
- The TERMINATOR™ wedge eliminates the potential breaking off of the tail due to fatigue.
- The tail, which is secured by the base of the clip and the wedge, is left undeformed and available for reuse.
- Incorporates Crosby's patented QUIC-CHECK® "Go" and "No-Go" feature cast into the wedge. The proper size rope is determined when the following criteria are met:
  - 1) The wire rope should pass thru the "Go" hole in the wedge.
  - 2) The wire rope should NOT pass thru the "No-Go" hole in the wedge.
- Utilizes standard Crosby Red-U-Bolt® wire rope clip.
- The 9-10mm thru 28mm standard S-421 wedge socket can be retrofitted with the new style TERMINATOR™ wedge.
- Available with Bolt, Nut, and Cotter Pin.
- U.S. patent 5,553,360, Canada patent 2,217,004 and foreign equivalents.
- Meets the performance requirements of EN13411-6:2003.



## S-421T Wedge Sockets

### Assembly includes Socket, Wedge, Pin and Wire Rope Clip

Wire Rope Dia.		S-421T Stock No.	Weight Each (kg.)	S-421TW Stock No. Wedge Only	Wedge Only Weight Each (kg)	Optional G-4082 Bolt, Nut & Cotter	
(mm)	(in.)					G-4082 Stock No.	G-4082 Weight Each (kg.)
9-10	3/8	1035000	1.44	1035555	.23	1092227	.17
11-13	1/2	1035009	2.79	1035564	.48	1092236	.31
14-16	5/8	1035018	4.40	1035573	.81	1092254	.52
18-19	3/4	1035027	6.58	1035582	1.18	1092281	.86
20-22	7/8	1035036	9.75	1035591	1.82	1092307	1.46
24-26	1	1035045	13.9	1035600	2.44	1092325	2.44
28	1-1/8	1035054	20.5	1035609	3.56	1092343	3.40
30-32	1-1/4	1035063	29.4	1035618	4.80	1092372	4.70

Wire Rope Dia.		S-421T Stock No.	Dimensions (mm)														
(mm)	(in.)		A	B	C +/- 2.29	D	G	H	J*	K*	L	P	R	S	T	U	V
9-10	3/8	1035000	145	69.1	20.6	20.6	35.1	77.7	198	47.8	22.4	39.6	11.2	54.1	11.2	31.8	35.1
11-13	1/2	1035009	175	88.1	25.4	25.4	41.1	95.5	226	32.0	26.9	49.3	12.7	65.0	13.5	44.5	47.8
14-16	5/8	1035018	210	109	31.8	30.2	53.8	114	273	50.5	31.0	57.2	14.2	82.6	17.5	51.0	55.5
18-19	3/4	1035027	251	130	38.1	35.1	62.0	134	314	61.2	35.6	66.8	16.8	92.2	19.8	59.5	65.0
20-22	7/8	1035036	286	149	44.5	41.4	68.5	156	365	63.0	42.4	79.5	19.1	109	22.4	68.5	74.5
24-26	1	1035045	325	161	51.0	51.0	74.7	177	414	77.2	51.0	95.5	22.4	119	26.2	73.0	83.5
28	1-1/8	1035054	365	176	57.0	57.0	84.0	194	466	65.0	57.0	108	25.4	138	27.9	82.6	90.5
30-32	1-1/4	1035063	415	222	66.5	63.5	90.5	239	520	74.7	59.5	114	26.9	156	30.2	117	125

\* Nominal

NOTE: For intermediate wire rope sizes, use next larger size socket.

The S-423T Super TERMINATOR™ wedge is designed to be assembled only into the Crosby S-421T TERMINATOR™ socket body.

IMPORTANT: The S-423TW for sizes 14mm through 28mm will fit respective size standard Crosby S-421T basket. The 30-32mm S-423TW will only fit the Crosby

S-421T 30-32mm basket marked with "TERMINATOR™"

# US-422T Utility Wedge Sockets

QUIC-CHECK®



Scan this QR code with your smart device to view our Wedge and Button Sockets video.



**SEE APPLICATION AND WARNING INFORMATION**

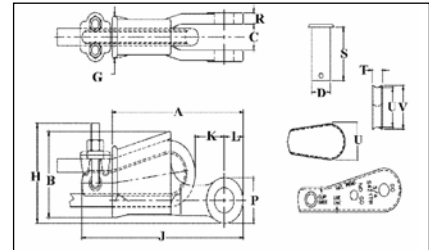
See Crosby Catalog

### US-422T



Most sizes now incorporate the "TERMINATOR™" design and may vary in shape from above product shown.

- Basket is cast steel and individually magnetic particle inspected.
- Wedge socket terminations have an efficiency rating of 80% based on the catalog strength of XXIP wire rope.
- Wedges are color coded for easy identification.
  - Blue - largest wire line size for socket.
  - Black - mid size wire line for socket.
  - 11 mm on US4
  - 14 mm on US5
  - Orange - smallest wire line size for socket.
- Cast into each socket is the name "McKissick", "Crosby" or "CG", its model number and its wire line range.
- By simply changing out the wedge, each socket can be utilized for various wire line sizes (Ensure correct wedge is used for wire rope size).
- Cast into each wedge is the model number of the socket and the wire line size for which the wedge is to be used.
- Load pin is forged and headed on one end.
- US-422T wedge sockets contain a hammer pad (lip) to assist in proper securement of termination.
- Meets or exceeds all requirements of ASME B30.26 including identification, ductility, design factor, proof load and temperature requirements. Importantly, these sockets meet other critical performance requirements including fatigue life, impact properties and material traceability, not addressed by ASME B30.26.
- UWO-422T Wedges are to be used only with the US-422T Wedge Socket Assemblies.



### US-422T Utility Wedge Socket

Model No.	Wire Rope Size		US-422T Stock No.	Weight Each (kg)	Wedge Only Stock No.	Weight Each (kg)	Dimensions (mm)														
	(mm)	(in.)					A	B	C +/- 2.29	D	G	H	J	K	L	P	R	S	T	U	V
US4T	10	3/8	1044300	2.09	1047310	.27	173	90.2	25.4	25.4	41.4	71.4	214	35.1	26.9	49.3	12.7	64.3	11.2	48.5	54.4
US4T	11	7/16	1044309	2.09	1047301	.27	173	90.2	25.4	25.4	41.4	71.4	222	27.4	26.9	49.3	12.7	64.3	13.5	44.7	47.8
US4T	13	1/2	1044318	2.09	1047329	.27	173	90.2	25.4	25.4	41.4	71.4	222	25.9	26.9	49.3	12.7	64.3	13.5	44.7	47.8
US5T	13	1/2	1044327	3.86	1047338	.45	233	107	35.8	31.8	54.1	84.1	284	46.7	38.1	76.2	16.0	82.6	19.1	48.8	54.9
US5T	14	9/16	1044336	3.86	1047347	.45	233	107	35.8	31.8	54.1	84.1	291	61.0	38.1	76.2	16.0	82.6	17.5	50.8	55.4
US5T	16	5/8	1044345	3.86	1047356	.45	233	107	35.8	31.8	54.1	84.1	291	59.4	38.1	76.2	16.0	82.6	17.5	50.8	55.4
US6T	16	5/8	1044354	4.26	1047365	.64	240	119	38.1	31.8	56.9	92.2	303	63.0	38.1	76.2	14.2	82.6	22.4	60.5	69.9
US6T	19	3/4	1044363	4.26	1047374	.64	240	119	38.1	31.8	56.9	92.2	300	51.6	38.1	76.2	14.2	82.6	22.4	54.1	66.8
US8AT	16	5/8	1044372	9.0	1047383	1.9	269	144	46.0	41.4	60.5	140	335	48.5	38.9	73.2	19.1	105	17.5	82.8	88.9
US8AT	19	3/4	1044381	9.3	1047392	2.2	269	144	46.0	41.4	60.5	148	344	60.5	38.9	73.2	19.1	105	19.8	79.2	85.9
US7*	22	7/8	1038580	7.48	1046674	1.18	286	130	33.3	31.8	68.3	-	-	65.0	41.4	82.8	16.8	82.6	26.9	53.8	65.0
US7*	25	1	1038589	7.48	1046683	1.18	286	130	33.3	31.8	68.3	-	-	65.0	41.4	82.8	16.8	82.6	26.9	47.8	60.5
US8T	22	7/8	1044404	14.3	1047425	3.4	324	177	46.0	41.4	77.7	183	407	72.9	41.9	79.2	19.1	105	22.4	98.6	106
US8T	25	1	1044417	14.7	1047431	3.9	324	177	46.0	41.4	77.7	186	417	58.9	41.9	79.2	19.1	105	26.2	95.5	103
US10T	28	1-1/8	1044426	25.1	1047440	5.7	405	219	46.0	41.4	90.7	232	501	82.8	55.6	111	19.1	105	27.7	121	129
US10T	32	1-1/4	1044435	26.3	1047459	6.8	405	219	46.0	41.4	90.7	239	514	71.9	55.6	111	19.1	105	30.2	117	125
US11T	28	1-1/8	1044444	27.5	1047468	5.7	415	222	66.5	63.5	90.4	232	507	85.6	59.4	114	26.9	156	27.7	121	129
US11T	32	1-1/4	1044453	29.4	1047477	6.8	415	222	66.5	63.5	90.4	239	520	74.7	59.4	114	26.9	156	30.2	117	125

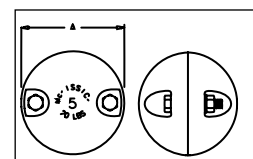
\* Non-"TERMINATOR™" Style

### SPLIT OVERHAUL BALL



### Split Overhaul Ball

- Attached easily to Wire Rope



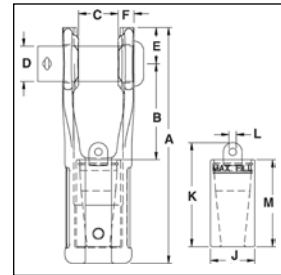
Catalog No.	Stock No.	Wire Rope Size (mm)	Weight Each (kg)	Ball Diameter A (mm)
SHB - 15	2003822	6-8	6.80	129
SHB - 20	2003830	10	9.07	137
SHB - 50	2003831	13 - 16	22.7	181
SHB - 100	2003832	16 - 19 - 22	45.4	233

# SB-427 Button Spelter Sockets

SB-427



- Available in six sizes from 13mm to 38mm.
- Button Spelter terminations have a 100% efficiency rating, based on the catalog strength of the wire rope.
- Designed for use with mobile cranes. Can be used to terminate high performance, rotation resistant ropes, and standard 6 strand ropes.
- Easy to install assembly utilizes Crosby® WIRELOCK® socketing compound.
- Sockets and buttons are re-usable.
- Replacement buttons and sockets are available.
- Locking feature available to prevent rotation of rope.
- Button contains cap with eye that can be attached to, and used to pull, rope during reeving process.



Scan this QR code with your smart device to view our Wedge and Button Sockets video.

## Button Spelter Sockets

Wire Rope Size		SB-427 Stock No.	Weight Each (kg)	Socket Only Stock No.	Button Only Stock No.	Dimensions (mm)									
(mm)	(in.)					A	B	C	D	E	F	J	K	L	M
13-16	1/2 - 5/8	1052005	2.76	1052107	1052309	202	82	33	30	31	14	38	89	6	74
16-19	5/8 - 3/4	1052014	4.67	1052116	1052318	240	99	39	35	37	17	44	109	10	87
19-22	3/4 - 7/8	1052023	7.75	1052125	1052327	275	112	45	41	43	19	52	121	10	101
22-26	7/8 - 1	1052032	13.24	1052134	1052336	327	139	52	51	51	23	62	143	16	115
28-32	1-1/8 - 1-1/4	1052041	20.86	1052143	1052345	378	144	64	57	64	28	75	180	19	145
35-38	1-3/8 - 1-1/2	1052050	35.38	1052152	1052354	459	182	77	70	70	31	92	205	19	172

## Wirelock® Requirements

Wire Rope Size		WIRELOCK® Required	WIRELOCK® Stock No.	WIRELOCK® Kit Size
(mm)	(in.)	(cc)		(cc)
13-16	1/2 - 5/8	35	1039602	100
16-19	5/8 - 3/4	60	1039602	100
19-22	3/4 - 7/8	100	1039602	100
22-26	7/8 - 1	140	1039602*	100
28-32	1-1/8 - 1-1/4	250	1039604	250
35-38	1-3/8 - 1-1/2	420	1039606	500

\* 2 kits required

**APPLICATION INSTRUCTIONS**  
SEE THE GENERAL CATALOG

# S-423T SUPER TERMINATOR<sup>™</sup>

## S-423T



Wedge sockets meet the performance requirements of Federal Specification RR-S-550E, Type C, except those provisions required of the contractor. Meets the performance requirements of EN13411-6:2003. For additional information, see Crosby General Catalog.

- The S-423T wedge socket terminations have a minimum efficiency rating on most high performance, high strength, compacted strand, rotation resistant wire ropes of 80% based on the catalog breaking strength of the various ropes.\*\*
- Design eliminates the difficulty of installing high performance wire rope into a wedge socket termination.
- Proper application of the Super TERMINATOR<sup>™</sup> eliminates the "first load" requirement of conventional wedge socket terminations.
- S-423TW Wedge Kit can be retrofitted onto existing Crosby S-421T TERMINATOR<sup>™</sup> wedge sockets.
- Wedge and accessories provided with a zinc finish.
- Meets the performance requirements of EN13411-6:2003.
- Meets or exceeds all requirements of ASME B30.26 including identification, ductility, design factor, proof load and temperature requirements. Importantly, these sockets meet other critical performance requirements including fatigue life, impact properties and material traceability, not addressed by ASME B30.26.
- Basket is cast steel and individually magnetic particle inspected.
- Pin diameter and jaw opening allows wedge and socket to be used in conjunction with closed swage and spelter sockets.
- Secures the tail or "dead end" of the wire rope to the wedge, thus eliminates loss or "punch out" of the wedge.
- Eliminates the need for an extra piece of rope, and is easily installed.
- The TERMINATOR<sup>™</sup> wedge eliminates the potential breaking off of the tail due to fatigue.
- the tail, which is secured by the base of the clip and the tension device, is left undeformed and available for reuse.
- Available with Bolt, Nut, and Cotter Pin.
- US Patent 8,375,527 B1.



**SEE APPLICATION AND WARNING INFORMATION**

See Crosby Catalog

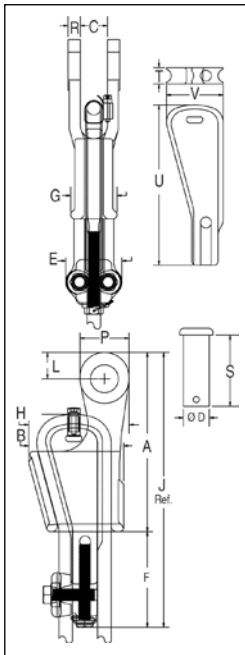
**\*\* NOTICE: Due to the unique construction of various ropes, Crosby cannot make a broad general statement that all current and future design of ropes, when properly assembled with the Super TERMINATOR<sup>™</sup>, will achieve a minimum 80% termination efficiency. Contact wire rope manufacturer or Crosby engineering (918-834-4611) to determine efficiency rating for a specific rope.**

## S-423T Wedge Sockets

Assembly includes Socket, Wedge, Pin, Wire Rope Clip, Tensioner, Bolts and Secondary Retention Wire.

Wire Rope Dia.		S-423T Assembly with Round Pin and Cotter Pin			S-423TB Assembly with Bolt, Nut and Cotter Pin			S-423TW** Wedge Kit		
(in.)	(mm)	S-423T Stock No.	S-423T Weight Each		S-423TB Stock No.	S-423TB Weight Each		S-423TW Stock No.	S423TW Weight Each	
			(lbs.)	(kg)		(lbs.)	(kg)		(lbs.)	(kg)
5/8	14-16	1035123	12.7	5.8	1035218	13.1	5.9	1034018	5.2	2.4
3/4	18-19	1035132	19.4	8.8	1035227	19.1	8.7	1034027	7.2	3.3
7/8	20-22	1035141	28.8	13.1	1035236	27.8	12.6	1034036	10.3	4.7
1	24-26	1035150	39.2	17.8	1035245	37.3	16.9	1034045	11.9	5.4
1-1/8	28	1035169	57.1	25.9	1035254	57.9	25.9	1034054	19.9	9.0
1-1/4	30-32	1035178	88.6	40.2	1035272	88.1	39.9	1034063	33.8	15.3

\*\*Kit contains Wedge, Wire Rope Clip and Bolts, Tensioner, Tensioner Bolt and Secondary Retention Wire.



Wire Rope Dia.	S-423T Stock No.	Dimensions (in.)																
(in.)	(mm)	A	B	C	D	E	F	G	H	J*	L	P	R	S	T	U	V	
5/8	14-16	1035123	8.25	4.50	1.25	1.19	3.00	4.06	2.13	4.61	12.31	1.22	2.25	.56	3.25	.75	6.88	2.60
3/4	18-19	1035132	9.88	5.20	1.50	1.38	3.25	4.81	2.44	5.37	14.69	1.40	2.62	.66	3.63	.88	7.65	3.02
7/8	20-22	1035141	11.25	5.88	1.75	1.63	3.81	5.73	2.69	6.16	16.98	1.67	3.13	.75	4.31	1.00	9.47	3.47
1	24-26	1035150	12.81	6.56	2.00	2.00	3.81	5.73	2.94	7.05	18.54	2.01	3.75	.88	4.70	1.13	10.41	3.82
1-1/8	28	1035169	14.38	6.94	2.25	2.25	4.00	6.85	3.38	7.81	21.23	2.26	4.25	1.00	5.44	1.25	11.83	4.22
1-1/4	30-32	1035178	16.34	8.63	2.62	2.50	4.50	7.76	3.57	9.38	24.10	2.34	4.50	1.06	6.62	1.38	13.87	5.82

Wire Rope Dia.	S-423T Stock No.	Dimensions (mm)																
(mm)	(in.)	A	B	C	D	E	F	G	H	J*	L	P	R	S	T	U	V	
14-16	5/8	1035123	210	114	31.8	30.2	76.2	103	54.1	117	313	31.0	57.2	14.2	82.6	19.1	175	66.0
18-19	3/4	1035132	251	132	38.1	35.1	82.6	122	62.0	136	373	35.6	66.5	16.8	92.2	22.4	194	76.7
20-22	7/8	1035141	286	149	44.5	41.4	96.8	146	68.3	156	431	42.4	79.5	19.1	109	25.4	241	88.1
24-26	1	1035150	325	167	50.8	50.8	96.8	146	74.7	179	471	51.1	95.3	22.4	119	28.7	264	97.0
28	1-1/8	1035169	365	176	57.2	57.2	102	174	85.9	198	539	57.4	108	25.4	138	31.8	300	107
30-32	1-1/4	1035178	415	219	66.5	63.5	114	197	90.7	238	612	59.4	114	26.9	168	35.1	352	148

\* Nominal

NOTE: For intermediate wire rope sizes, use next larger size socket.

The S-423T Super TERMINATOR<sup>™</sup> wedge is designed to be assembled only into the Crosby S-421T TERMINATOR<sup>™</sup> socket body.

IMPORTANT: The S-423TW for sizes 14mm through 28mm will fit respective size standard Crosby S-421T basket. The 30-32mm S-423TW will only fit the Crosby S-421T 30-32mm basket marked with "TERMINATOR<sup>™</sup>".



Scan this QR code with your smart device to view our Super Terminator video.

**McKISSICK**<sup>®</sup>

*Your Total Block Company*



*“When buying Crosby you’re buying more than product, you’re buying **Quality**.”*

**Crosby Products Distributed By:**

**Crosby Europe**

**BELGIUM**

Industriepark Zone B nr 26  
B-2220 Heist-op-den-Berg  
P: (+32) (0)15 75 71 25  
F: (+32) (0)15 75 37 64  
sales@crosbyeurope.com

**FRANCE**

21, Rue du Petit Albi  
Parc d’Affaires Silic  
95800 Cergy – St. Christophe  
P: (+33) (0)1 34 201 180  
F: (+33) (0)1 34 201 188  
sales@crosbyeurope.fr

**UNITED KINGDOM**

Station Street  
Cradley Heath  
West Midlands B64 6AJ  
P: (+44) (0)1226 290 516  
F: (+44) (0)1226 240 118  
sales@crosbyeurope.co.uk

**[www.thecrosbygroup.com](http://www.thecrosbygroup.com)**