

CONE CRUSHER



www.apollo.co.in

Innovative Design, Technology & Service

APOLLO

Quality Mining Equipment

CONE CRUSHER

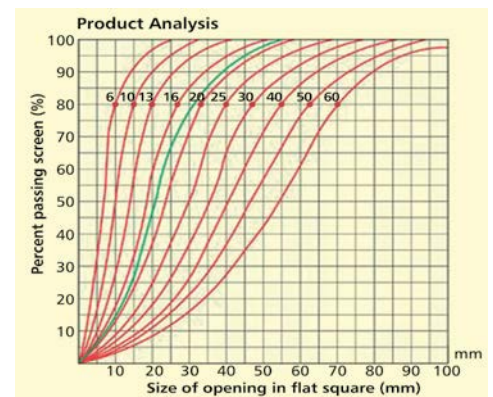


Main Features :

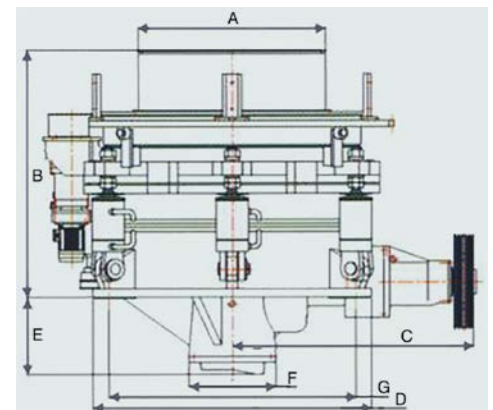
Apollo Hydro Cone Crusher is the best machine for high productivity, low operating cost, long service life and high product yield with desired fines. It is best suited to aggregate and mining applications. The field proven cone crusher combines the state-of-the art technologies to provide highest capacity, best product shape, highest on-spec yield, easy automation and great reliability. All to help you achieve is the highest possible level of profitability.

Features at Glance :

- ◆ Completely automatic tramp release system.
- ◆ Automatic "Push Button" hydraulic setting system.
- ◆ PLC controlled automatic hydraulic clamping.
- ◆ Automatic "Low Lube Oil Flow" cutout.
- ◆ Automatic PLC controlled "High Oil Temperature" cutout.
- ◆ Extra large oil-cooler with fan and water spraying system for high ambient temperature operation.
- ◆ High capacity with application flexibility.
- ◆ High operational reliability.
- ◆ Easy replacement of wear and spare parts.
- ◆ Low operating and maintenance cost.
- ◆ Built as mobile and semi-mobile or stationary installation.



Product Gradation Curve



Cone Dimensions

Technical Specifications

Model	Setting Range (mm)	Capacity (tph)	Max. Feed Size (mm)	Max. Revolution (rpm)	Required Power (kW)	Weight (MT)
AC 900	12 - 38	72 - 135	150	650	75 - 100	12
AC 1200	12 - 48	154 - 350	225	650	110 - 150	18
AC 1300	16 - 51	176 - 458	260	650	150 - 185	25

With Apollo's policy of constant upgradation of products, specifications are subject to change without prior notice. Accessories shown are optional and not a part of standard supply. Technical data are approximate and should be used as a guide only. Capacity and power requirements depend on the type and characteristics of the feed materials.

Corporate Office :
GUJARAT APOLLO INDUSTRIES LIMITED
 "Parishram" 5-B, Rashmi Society, Near Mithakhali Circle,
 Navrangpura, Ahmedabad - 380009, India.
 Phone : +91-79-2644 4597 / 2656 4705
 Email : info@apollo.co.in
 Website : www.apollo.co.in

German Subsidiary :
APOLLO MASCHINENBAU GmbH
 Grünauer Fenn 44, D-14712 Rathenow, Deutschland.
 Phone : +49(0)3385 510200 • Fax : +49(0)3385 510203
 Email : info@apollo-maschinenbau.de
 Website : www.apollo-maschinenbau.de

Delhi Office :
 C-479, Flat No. 3, 1st Floor, Vikas Puri,
 New Delhi - 110018, India.
 Phone : +91-11-4704 1339

APOLLO

Quality Mining Equipment

Your Dependable Partner