

GT-3600

TRIMMER / SLIPFORM PAVER



GOMACO[®]

The Worldwide Leader in Concrete Paving Technology

Optional Xtreme Package for GT-3600

- **Xtreme Steering Capabilities** – The Xtreme GT-3600 is equipped with rotary-sensored slew drives, on each of the three tracks for extreme steering ability.
 - The Xtreme GT-3600's sensed All-Track Steering and sensed All-Track Positioning, make it the ultimate, intelligent slipform paver.
 - The intelligent All-Track Positioning on the Xtreme GT-3600 includes a smart hydraulic cylinder on all three legs. The smart cylinders allow G+® to know the position of all three tracks and can make steering adjustments as needed.
- **Xtreme Intelligence** – Smart cylinder sideshifting of the mold for repeatable mold offset.
 - Intelligent offset is accomplished with a smart hydraulic cylinder for telescoping the mold mounting system. This provides G+ the ability for repeatable mold offset. The trimmerhead and mold have independent vertical adjustments for raising and lowering.
- **Xtreme Hydraulic Package** – Independent hydraulic travel control to each track allow G+ to control each individual track speed through a radius.
- **Xtreme Radius** – The Xtreme GT-3600 can pour a 24 inch (610 mm) radius.
 - The Xtreme GT-3600's G+ control system easily interfaces with stringline or a 3D guidance system for curb and gutter and tight radius applications.
 - The Xtreme GT-3600 features the GOMACO three-sensor radius system for stringline. When paving with stringline, the lead steering wand is allowed to leave the stringline and reference is switched to sensor number two for traveling around the tight radius.
 - Individual track speed control provides smooth machine travel around a radius.
- **G+ Radius Software** – Pick your radius and G+ calibrates and manages all aspects of traveling around it on stringline, including track angles and individual variable track speeds.
 - The G+ radius software for the control system allows the operator to program the size of the radius into the controller. As the Xtreme GT-3600 approaches the radius, with the values already dialed in, the operator activates the radius program, and the curb and gutter machine slipforms around the radius. It's now easy for any operator to pour a radius.
- The operator's platform is isolated to reduce vibration for a comfortable day of paving.
- Excellent fuel efficiency combined with an increased fuel capacity allows for an uninterrupted day of paving on the project.
- An optimized cooling package with a hydraulic fan controlled by G+ adapts the cooling needs to job-site conditions for both a quiet and efficient operation.
- The G+ wireless remote control is an option available for the Xtreme GT-3600. The G+ remote control allows the operator to work from the operator's platform or the ability to move around the machine with hands-on control at all times.
- The GOMACO Xtreme GT-3600 is also available with the optional GOMACO Remote Diagnostics (GRD) for machine troubleshooting, diagnostic reviews, software updates, and more.
- Designed for high-volume curb and gutter.



The GOMACO Xtreme GT-3600 is slipforming an 18 inch (457 mm) stand-up curb and is equipped with the GOMACO Remote Diagnostics (GRD) allowing for remote upgrades and fleet management from a cell phone or laptop computer.



The powerful trimmerhead features a direct drive radial piston hydraulic motor that provides maximum torque for tough trimming applications.

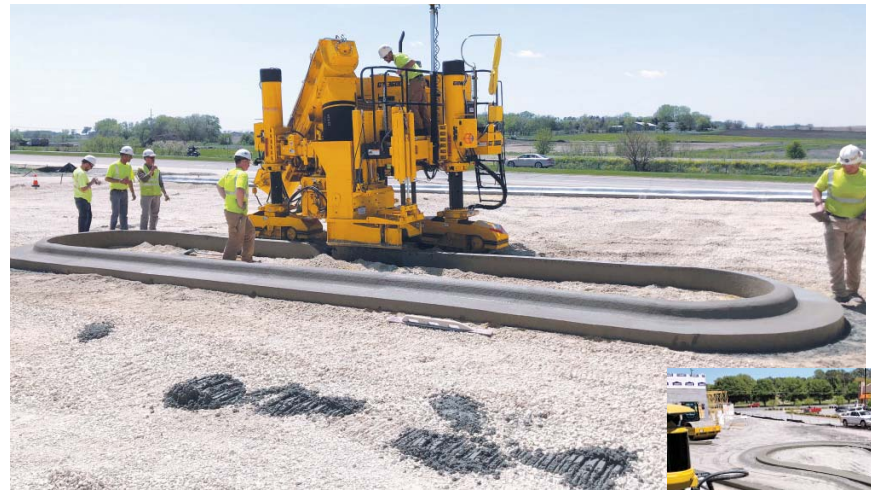


An 18 inch (457 mm) curb and gutter is slipformed using 3D machine guidance by the Xtreme GT-3600 in a new residential development.



A GOMACO Xtreme GT-3600 slipforms curb and gutter for a new subdivision using 3D machine guidance.

CG-062003-D7



Parking lot island radii are a breeze with the Xtreme GT-3600's steering capabilities and 3D machine guidance. Combining the sensed All-Track Steering and sensed All-Track Positioning has made the Xtreme GT-3600 the ultimate, intelligent slipform curb and gutter machine.

CG-051914-D1



CG-041912-D1



The Xtreme GT-3600 slipforms a stand-up curb with tight radii using 3D machine guidance.

CG-112018-D18



Designed for easy transportation, the Xtreme GT-3600 curb and gutter machine can be driven straight onto the truck bed after a day of slipforming.

CG-102149-D10



The Xtreme GT-3600 slipforms roll-over curb in a new developmental area.

Xtreme GT-3600 Curb and Gutter Machine

- On-board water system. Designed with safety in mind, the water tank is bottom filling and does not require a ladder.

- Smart telescoping right leg.

- Hydraulically powered charging conveyor with hydraulic positioning for slide and tilt. Belt wiper provides better cleaning and longer wiper lifespan.

- GOMACO G+® control system.

- Vibrator controls with four hydraulic circuits and two vibrators are standard.

- Operator's platform provides easy access and ultimate operator visibility.

- Smart power-swing front leg.

- Smart power-slide rear leg.

- Each leg has 36 inches (914 mm) of hydraulic leg height adjustment and an additional manual adjustment of 8 inches (203 mm).

- Tool box.

- Three hydraulically powered, gear-driven crawler tracks, 6 feet (1.83 m) long.

- GBox on every leg to accommodate improved steering and grade with G+ controls.

- Sideshifting trimmerhead with 48 inches (1219 mm) of hydraulic sideshift, 16 inches (406 mm) of hydraulic vertical adjustment.

- Rotary-sensored slew drives.

- Vertical-lifting mold.

- Telescoping operator's platform provides easy access and ultimate operator visibility.

- Smart sideshifting mold.

- GOMACO's Hook-and-Go system.

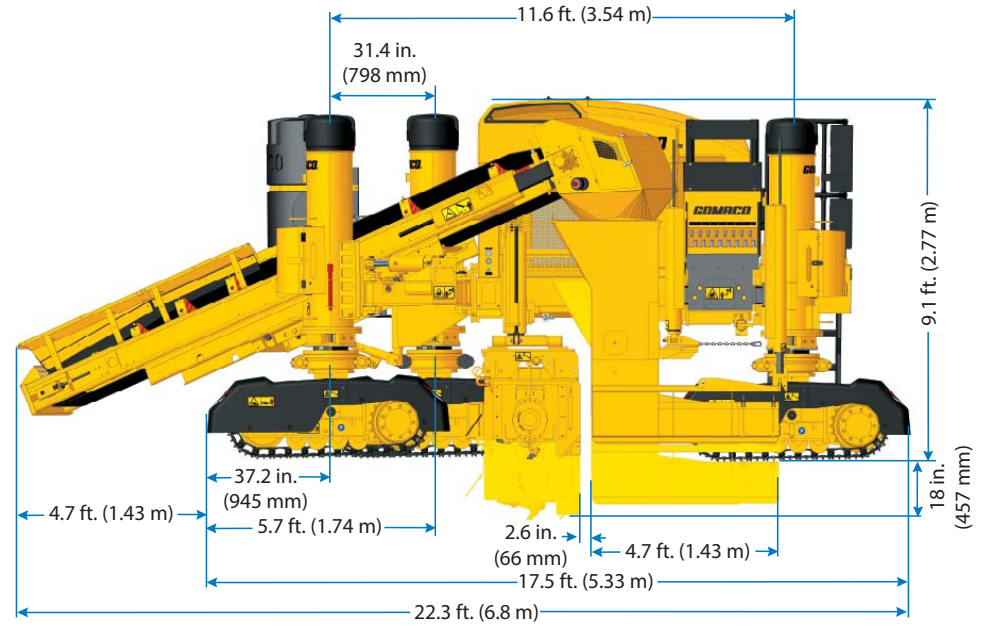
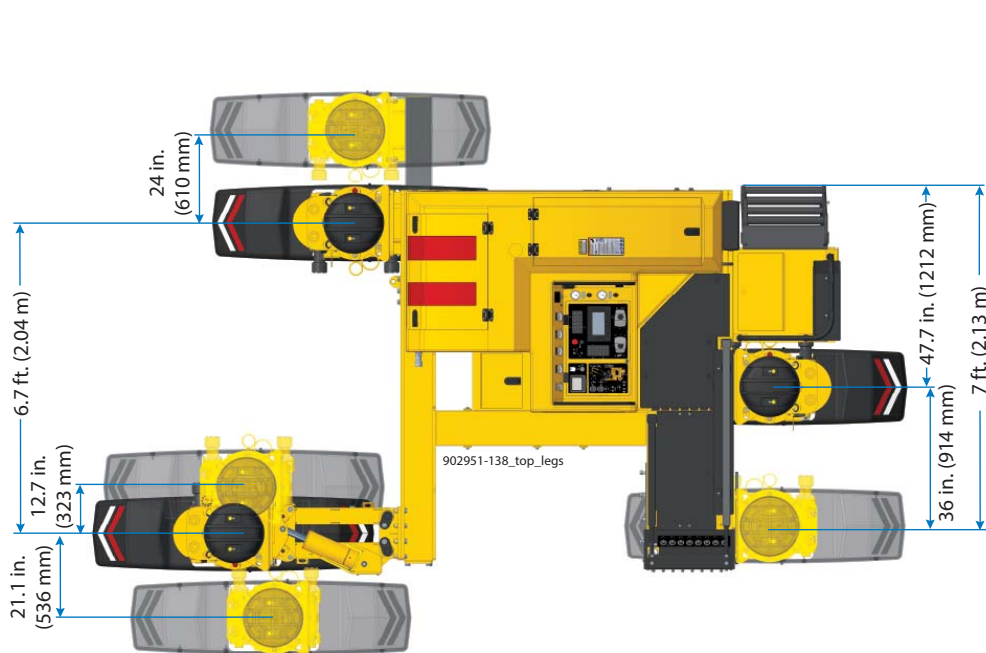
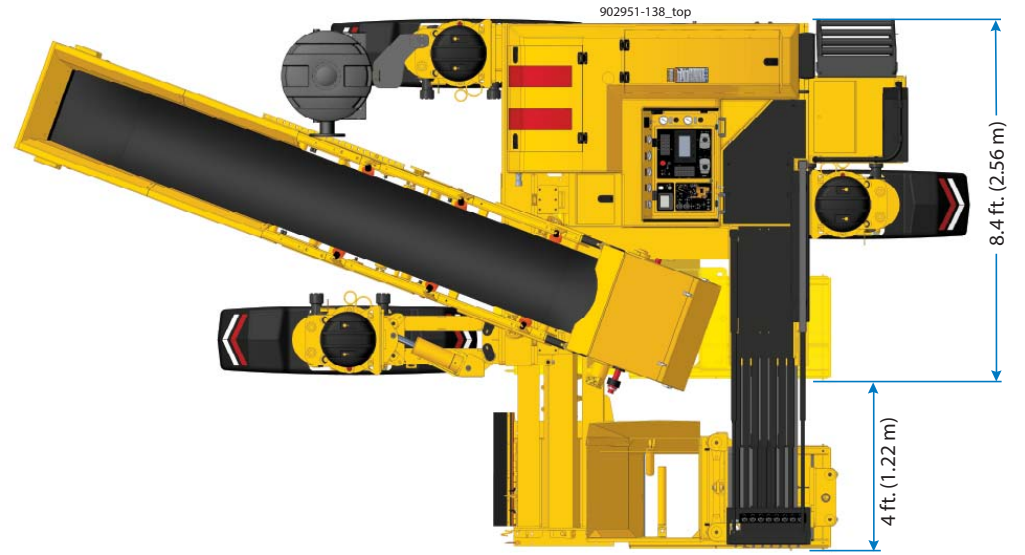
- Exclusive independent adjustable stainless steel troweling section seals and provides a superior GOMACO finish.

- Emergency stop buttons are located at strategic areas around the machine.

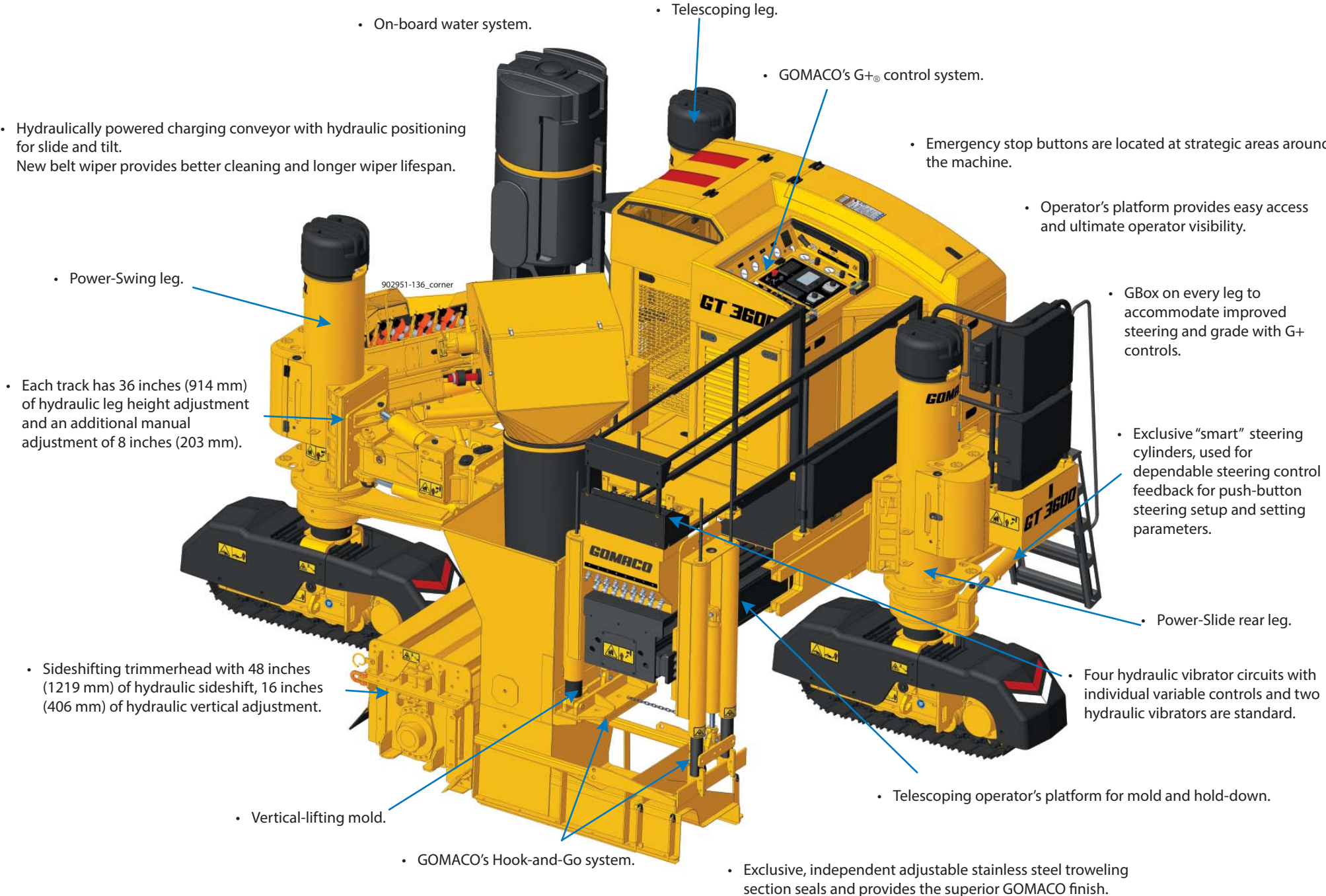


CG-111823-D2

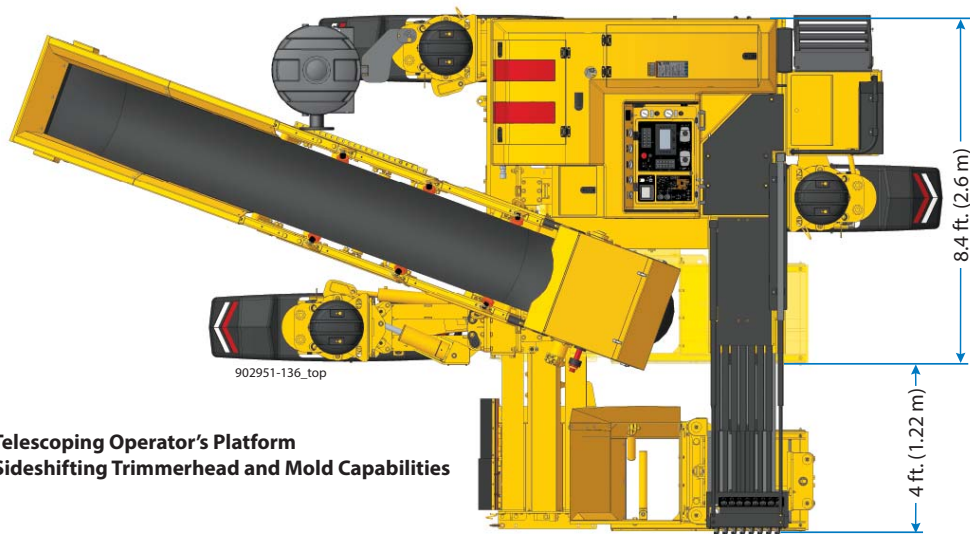
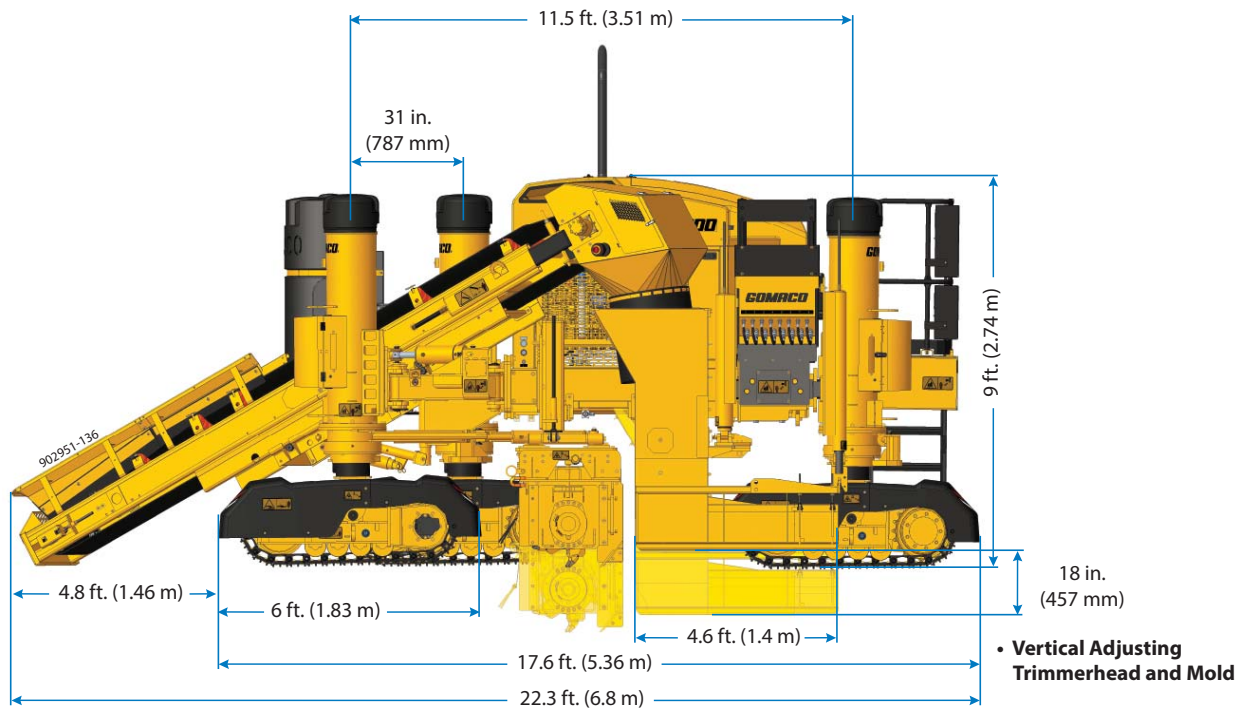
The Xtreme GT-3600's tracks can rotate farther than ever before. The rotary-sensored slew drives allow the tracks to rotate 90 degrees and more for quick side travel and job-site mobility.



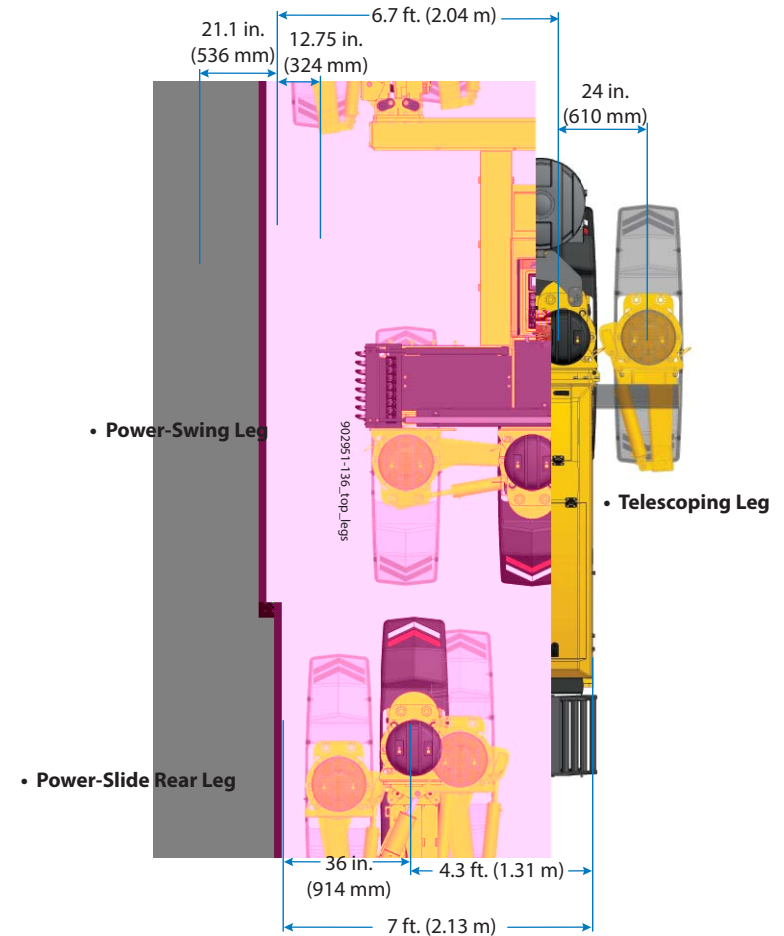
GT-3600 Trimmer/Slipform Paver



- On-board water system.
- Telescoping leg.
- GOMACO's G+® control system.
- Emergency stop buttons are located at strategic areas around the machine.
- Operator's platform provides easy access and ultimate operator visibility.
- GBox on every leg to accommodate improved steering and grade with G+ controls.
- Exclusive "smart" steering cylinders, used for dependable steering control feedback for push-button steering setup and setting parameters.
- Power-Slide rear leg.
- Four hydraulic vibrator circuits with individual variable controls and two hydraulic vibrators are standard.
- Telescoping operator's platform for mold and hold-down.
- Exclusive, independent adjustable stainless steel troweling section seals and provides the superior GOMACO finish.
- GOMACO's Hook-and-Go system.
- Vertical-lifting mold.
- Sideshifting trimmerhead with 48 inches (1219 mm) of hydraulic sideshift, 16 inches (406 mm) of hydraulic vertical adjustment.
- Power-Swing leg.
- Each track has 36 inches (914 mm) of hydraulic leg height adjustment and an additional manual adjustment of 8 inches (203 mm).
- Hydromatically powered charging conveyor with hydraulic positioning for slide and tilt. New belt wiper provides better cleaning and longer wiper lifespan.



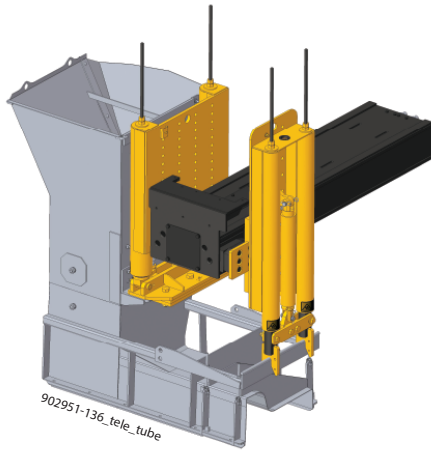
- Telescoping Operator's Platform
- Sideshifting Trimmerhead and Mold Capabilities



All-Track Positioning (ATP) provides the versatility in our slipform pavers. GOMACO's left-front track features a pivoting power-swing, the right-front track hydraulically extends/retracts, and the rear track hydraulically sideshifts. Each leg has a reinforced steel attachment plate that allows extra leg height adjustment. ATP provides the capability of performing various applications and working with differences in grade elevations and unique job-site logistics.

Provides High-Production and Easy Operation

GOMACO's Hook-and-Go System is Quick and Easy



GOMACO's Hook-and-Go mold mount system has no pins or latches and makes it quick and easy to change molds. Simply drive the GT-3600 up to the mold and hook the mount to a special attachment plate. The mold is then hydraulically lifted up and can go to work slipforming the project... just hook and go. GT-3600 molds are built for this system and existing molds can easily be retrofitted in the field.

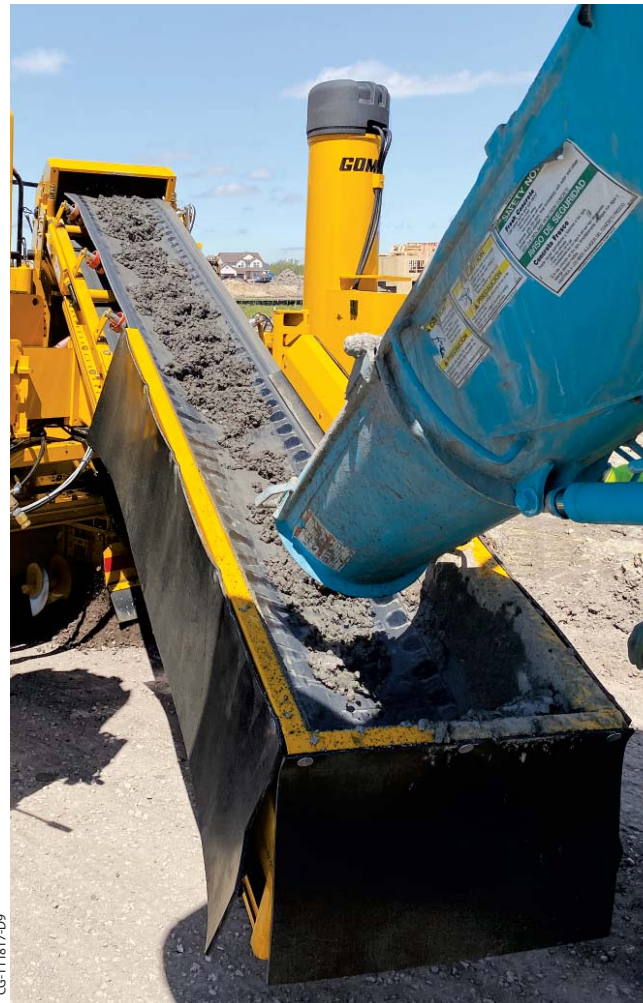


Tight-clearance paving is accomplished with the sideshifting capability of the mold.

Fast Concrete Loading Provides Increased Production

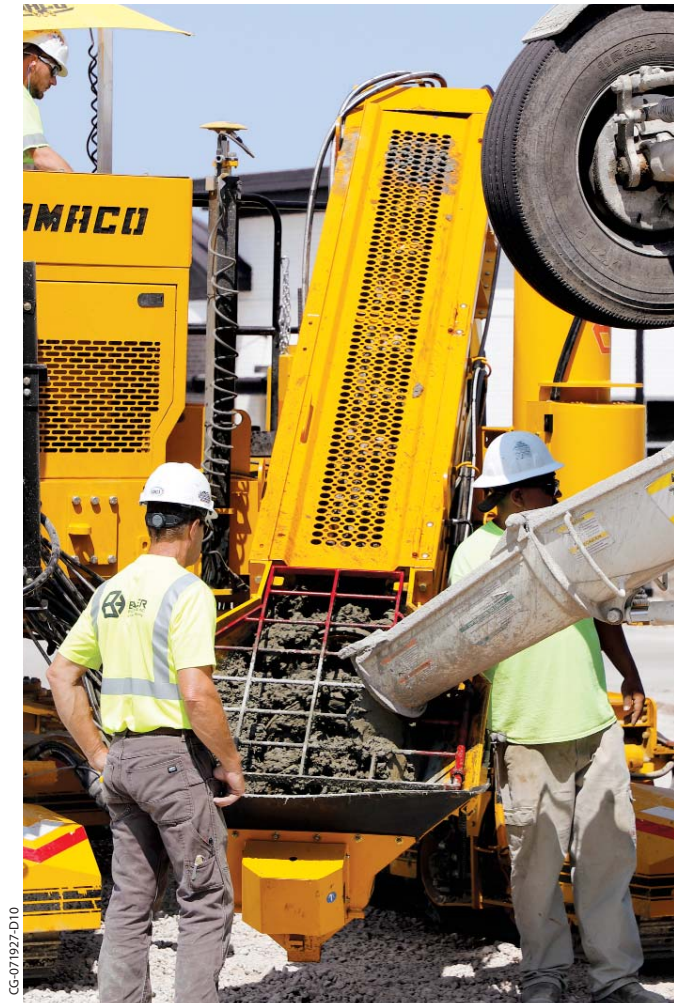
Fast concrete loading provides high-production results. There are two conveyor systems to choose from with the GOMACO GT-3600, the standard belt conveyor and the auger. The standard conveyor for the GT-3600 is 16 feet (4.88 m) long, 24 inches (610 mm) wide, and has a belt speed variable up to 284 feet per minute (86.6 mpm). It is hydraulically powered and reversible with a charging hopper. The belt conveyor is pivot mounted with hydraulic lift and positioning. The mold is designed with extra concrete capacity, to allow slipforming through a tight radius without waiting for concrete delivery.

An auger is also available that provides fast and efficient concrete flow. It features a 16 inch (406 mm) diameter auger with full pitch, for efficient handling of concrete.



CG-111817-D9

The 16 foot (4.88 m) long, 24 inch (610 mm) wide conveyor can move the concrete into the hopper at a speed of up to 284 feet per minute (86.6 mpm).



CG-071927-D10

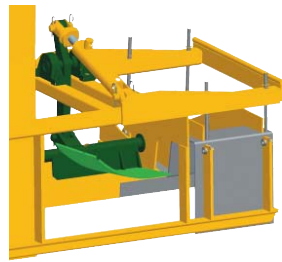
The optional 17 foot (5.18 m) long hydraulically driven auger is equipped with vibration to release concrete build up from the safety guard at the end of the hopper. The auger safety guards are hinged to allow for cleaning.



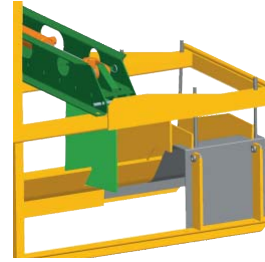
Conveyor Belt Wiper

The conveyor belt wiper is a standard bolt-on attachment for the GT-3600 and features a single solid polyurethane blade and steel frame spanning across the belt. This allows the cleaning tip to maintain continuous contact without the need for constant adjustment. The quick tension design allows for easy adjustments or to release tension on the polyurethane blade for replacement and clean-out. Unique single pin blade retention system permits blade replacement without the use of additional tools.

Guillotine-Style and California-Style Curb Depressors
The optional hydraulic-powered driveway depressors are available for curb and gutter molds. They allow the GT-3600 to eliminate wasted material while slipforming through driveways.



Curved Blade: California-style curb depressor has a curved blade that enters the face of the curb, providing a smooth finish.



Straight Blade: Guillotine-style curb depressor has a straight blade that enters the face of the curb while slipforming through driveways.



Sectionalized Trimmerhead

The standard 24 inch (610 mm) wide trimmerhead with insert sections provides up to a 66 inch (1676 mm) wide sectionalized trimmerhead with right-hand or left-hand discharge available. The insert sections are available in 12 inch (305 mm), 18 inch (457 mm), and 24 inch (610 mm) widths.



Hydraulic Vertical Adjustment...

The ability to raise and lower the trimmerhead and mold makes the GT-3600 ideal for rehabilitation work and going over driveways, manholes, and other obstacles. The GT-3600 can pave right up to the driveway. Then the operator raises the mold, allowing the machine to travel across the distance of the driveway, without leaving the stringline. The mold is then lowered to grade and slipforming continues.



Sideshifting Trimmerhead

The trimmerhead can be raised 16 inches (406 mm) and sideshifted up to 48 inches (1219 mm) for clearance of obstacles and to allow the GT-3600 to pave right up to the obstacle. The mold can then be hydraulically lifted off the curb and over obstacles.

Tight Radii Slipform Paving

First in the Industry to Design a Three-Track Machine to Slipform A 24 inch (610 mm) Radius Curb

- Unique design allows automatic adjustment of trajectory in and out of a tight radius.
- Multiple sensors and mold positioning assures accurate placement of concrete through a tight radius.

The mold on the GT-3600 is positioned to assure accurate placement of the concrete through a radius. Also important for a tight radius is travel speed, mix design, slump of concrete, and grade preparation.

The hopper on the GT-3600 is designed for extra concrete capacity. Loading the hopper and the 16 foot (4.88 m) long, 24 inch (610 mm) wide charging conveyor full prior to going into the radius allows for continuous travel through the radius without having to wait for another concrete delivery.



CG-061423-D15

The GT-3600 with 3D machine guidance slipformed radii as tight as 2.5 feet (0.8 m) on this parking lot project. The GT-3600's All-Track Steering, combined with the 3D system's steering algorithms, allow smooth entrances and exits and tighter cornering for tight radii work.

CG-061441-D13



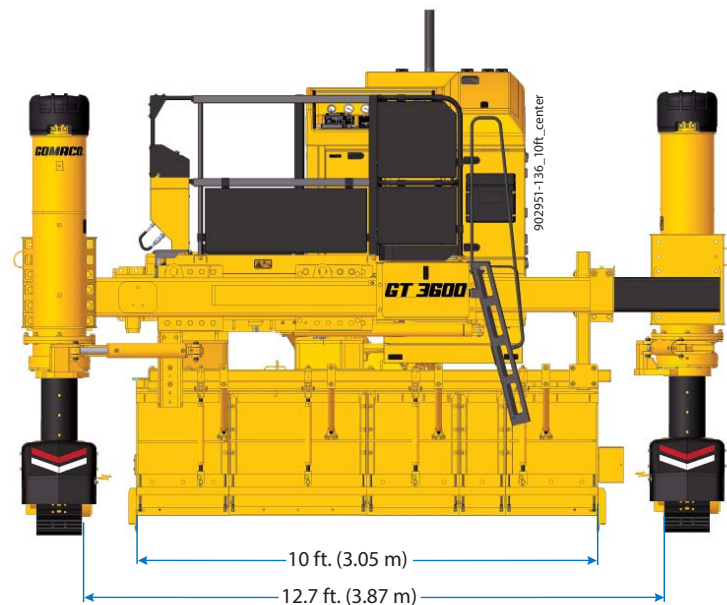
A GT-3600 slipforms variable ranging in height between 34.8 to 50 inches (885 to 1270 mm) on a project in Perth, Australia.

Centermounted Mold

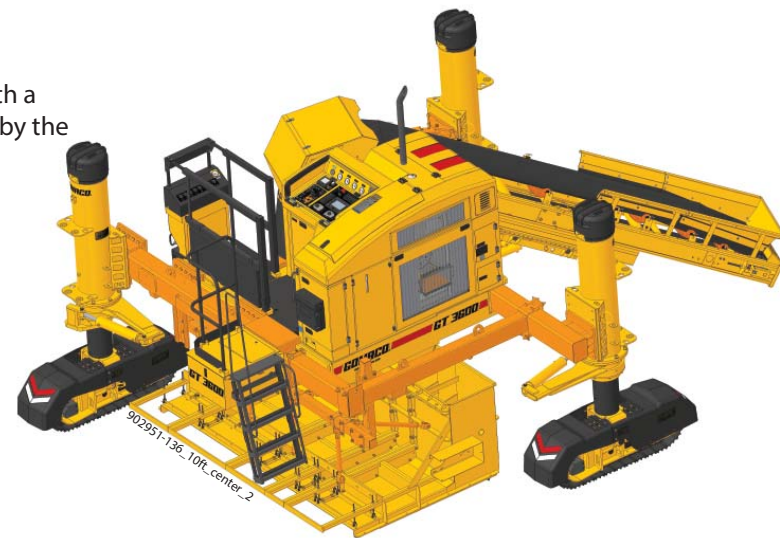


CG-091402-D4

The GT-3600 can be retrofitted with a 10 foot (3.05 m) wide undermounted sidewalk mold for paving larger pathways and access roads.



The centermounted mold on the GT-3600 is built with a "frame around a frame" concept, which is illustrated by the orange sections of framework in these drawings.





CG-041612-D13

An operational speed of up to 42 feet per minute (12.8 mpm) allows for high production curb and gutter slipforming with the GT-3600.



CG-061906-D7

Slipforming curb and gutter in an existing residential area is done efficiently with the GT-3600 equipped with 3D machine guidance. The ability to block out existing driveways on-the-go allows for less follow up work.



CG-062004-D6

The GT-3600 trimmer features a maximum hydraulic sideshift distance of 48 inches (1219 mm), allowing the operator to slipform curb and gutter within inches of obstacles within residential areas.



CG-061627-D6

Using the telescoping mold and hold-down, the GT-3600 is able to achieve minimum clearance when slipforming curb and gutter below the existing grade in a residential area.

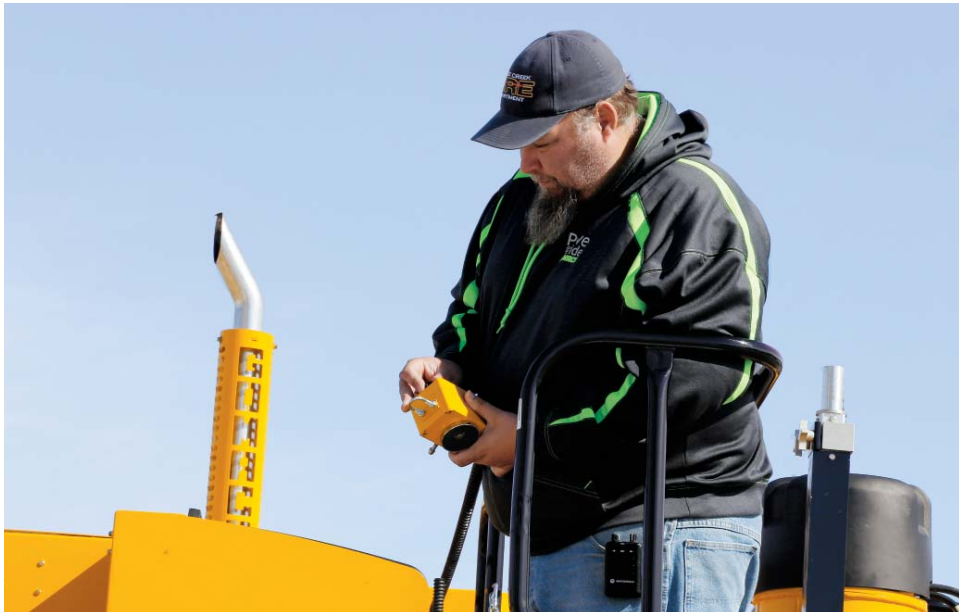


3D machine guidance helps achieve minimum clearance eliminating the need to set stringline on projects where existing utilities create challenges.



CG-041505-D4

This GT-3600 uses the simultaneous trim/pour process for maximum concrete utilization.



CV-031810-D5

The tethered remote allows the operator to control speed and steering while moving around the operator's platform. The travel control dial dictates the travel speed of the machine in either forward or reverse. The manual steer knob turns the tracks when the steer select knob is in any of the four manual positions.



CG-072102-D6

The exclusive, independent adjustable stainless steel troweling section seals and provides the superior GOMACO finish.

Versatility In One Machine



CG-111606-D6

GOMACO's GT-3600 slipforms a 44 inch (1118 mm) median barrier.



CG-062108-D9

The operator's platform and safety railing telescope out with the sidemounted mold to give the operator visibility over the entire operation. This GT-3600 is slipforming a five foot (1.52 m) wide sidewalk.



CG-012105-D3

The 16 foot (4.88 m) long conveyor aids the Xtreme GT-3600 as it slipforms 21 inch (533 mm) tall stand-up curb by feeding the hopper at a maximum belt speed of 284 feet per minute (86.6 mpm).



CG-051302-D13

A flood defense barrier is being slipformed by the GT-3600 for a small village in Belgium.



CG-0011503-D1

The optional sidemounted barrier and parapet attachment allows the GT-3600 to pave a maximum height of 50 inches (1270 mm).



CG-061410-D2

The GT-3600 slipforms stand-up curb.



CG-079503-#10A

The versatile GOMACO GT-3600 slipforms a drainage channel in France. The sidemounted design allows minimum-clearance on the left side of the mold.



CG-070116-#16

A project for 10 rows of stair-stepped risers within a new football stadium is completed in five passes around the facility with the GT-3600.



Repeatable mold offset is accomplished through G+ and a smart hydraulic cylinder for telescoping the mold mounting system.

GT-3600 Specifications

ENGINE

Consult for options available.

SERVICE CAPACITIES

Fuel reservoir: 41 gal. (155 L).

Hydraulic oil reservoir: 104 gal. (394 L).

AUTOMATIC CONTROL SYSTEM

Type: Electronic-over-hydraulic.

Controls: GOMACO's exclusive G+® control system for paving accuracy and ease of operation. It features multi-language, metric or imperial settings, and a 6.5 in. (165 mm) anti-glare display screen.

Control indicators: Color graphical performance indicators allow operator to monitor control signals for machine guidance on stringline or 3D.

Reverse auto control: Single switch sets controls for automated control with machine traveling in reverse.

Remote control: Tethered remote control handset included for operator convenience.

WATER SYSTEM

Type: On-board water system.

Capacity: 100 gal. (378.5 L) water tank with hydraulically driven pump, hose, and nozzle.

SLIPFORM MOLD

Curb and gutter mold: Optional molds available for curb and gutter, monolithic sidewalk and curb and gutter, barrier, parapet, irrigation canal, and more.

VIBRATORS

Type: Hydraulically powered, motor-in-head, variable speed, independently controlled, and synchronized with machine movement.

Quantity: Four hydraulic circuits and two hydraulic vibrators with mounts included with each machine, up to eight total.

MOLD DRAWBAR & HOLD-DOWN ASSEMBLY

Hydraulic lift: 18 in. (457 mm) pressure-compensated hydraulic vertical adjustment with 16 in. (406 mm) manual vertical adjustment, allowing up to 34 in. (864 mm) of vertical adjustment.

Sideshift distance: 48 in. (1219 mm) maximum hydraulic sideshift.

SUBGRADE TRIMMER (sectionalized)

Direct-drive trimmer: Trimmerhead is directly driven with a radial piston hydraulic motor which provides maximum torque for trimming capacity. 24 in. (610 mm) diameter trimming wheel.

Trimmer wheel rotation: Upward cut.

Width: 24 in. (610 mm) to 66 in. (1676 mm) sectionalized trimmerhead with hydraulic sideshift capability. Right-hand discharge standard.

Sideshift distance: 48 in. (1219 mm) maximum hydraulic sideshift.

Hydraulic lift trimmer: 16 in. (406 mm) hydraulic vertical adjustment.

CHARGING CONVEYOR

Type: Hydraulically powered, reversible with charging hopper. Pivot mount conveyor with hydraulic lift and positioning.

Length: 16 ft. (4.88 m).

Width: 24 in. (610 mm).

Belt speed: Variable up to 284 fpm (86.6 mpm).

Conveyor mount: 42 in. (1067 mm) hydraulic slide adjustment with hydraulic tilt cylinder and manual pivoting mount (slide and tilt) for negotiating discharge from the ready-mix truck and negotiating grade variations. Allows truck positioning to front or side of machine. Hydraulically powered mount controls conveyor angle.

Belt wiper: Features a solid polyurethane blade and torsional spring for quick maintenance and superior cleaning results.

Hopper: Designed for more concrete capacity to allow slipforming a complete radius without waiting for concrete delivery.

TRACK SYSTEM

Type: Three hydraulically powered, gear-driven crawler tracks.

Track length: 6 ft. (1.83 m) fender to fender.

Track pad width: 11.8 in. (300 mm).

Track speed: Variable up to 42 fpm (12.8 mpm) paving, and variable up to 125 fpm (38 mpm) auxiliary.

Track tension: Fully automatic, hydraulically locks in on machine start-up, maintaining a steady tension of the track chain.

Leg height adjustment: Each leg has 36 in. (914 mm) hydraulic adjustment and an additional manual adjustment of 8 in. (203 mm).

Telescoping leg for positioning right-front track: Hydraulically controlled, allows 24 in. (610 mm) lateral track adjustment range.

Power-slide leg for positioning rear track: Hydraulically controlled, allows up to 36 in. (914 mm) lateral track movement.

Power-swing pivoting left-front track mount: Hydraulically positions left-front track up to 21 in. (533 mm) to the left or up to 12.25 in. (311 mm) to the right of the straight-ahead position.

DIMENSIONS

Transport length: 22.3 ft. (6.8 m) with conveyor. 17.5 ft. (5.33 m) without conveyor.

Transport height: 9.1 ft. (2.77 m) with trimmerhead.

Transport width: 8.4 ft. (2.56 m) with trimmerhead. 8.3 ft. (2.5 m) without trimmerhead.

WEIGHT (approximate)

25,720 lbs. (11,666 kg). Weight can vary depending on size of mold and options.

Note: Transport and operational weights and dimensions are variable, depending on machine options.

OPTIONS

Xtreme Package.

Barrier/parapet sidemount attachment. Maximum slipforming height of 50 in. (1270 mm).

Auger provides fast and efficient concrete delivery.

Guillotine-style curb depressor has a straight blade that enters the face of the curb. Hydraulically powered, for use on curb and gutter molds while slipforming through driveways. Can be changed to other molds if they are slotted and clamped to accept the driveway cutout.

California-style curb depressor has a curved blade that enters the face of the curb. Hydraulically powered, for use on curb and gutter molds while slipforming through driveways.

Hydraulic pressure-compensated sideplates.

Additional vibrators and mounts.

Up to four additional vibrator circuits and controls.

Left-hand discharge trimmerhead.

Trimmerhead insert sections of 12 in. (305 mm), 18 in. (457 mm), 24 in. (610 mm), and 30 in. (762 mm) widths are available for trimmerhead width to 66 in. (1676 mm) maximum.

Curb and gutter molds will be built to customer specifications. Various mold options are available.

Mold centermount kit, includes drawbar to mount in place of trimmerhead and extension for the rear leg.

High-pressure water system, includes trigger gun control and adjustable pressure unloader for up to 2000 psi.

Polyurethane track pads, 81 pads required.

Radius wheels for use on radius work, saving time on stringline set-up.

3D package for stringless guidance.

Other options are available to customize the machine to accommodate applications and customer needs.



CG-041411-D7

All-Track Positioning (ATP) provides easy setup for slipforming sidewalks. This GT-3600 is slipforming a five foot (1.52 m) wide sidewalk with a side-mounted mold.



CG-061519-D8

The GT-3600 slipforms curb and gutter around a cul-de-sac in a new residential development.

Cover Image: CG-012226-D6

Manufactured under one or more of the following U.S. or foreign patents: 7,044,680; 7,284,472; 7,517,171; 7,845,878; 7,850,395; 8,682,622; 8,855,967; 9,051,696; 9,180,909; 9,200,414; 9,404,228; 9,428,869; 9,458,581; 9,464,716; 9,541,195; 9,567,715; 9,624,626; 9,637,872; 9,644,328; 9,633,162; 9,670,627; 9,739,019; 9,764,762; 9,869,063; 9,963,836; 9,982,399; 10,005,489; 10,206,016; 10,501,913; 10,822,029; 10,829,898; 10,940,883; 11,060,245; 11,149,388; 11,254,329; CA2591177; CA2864902; CA2899768; CA2984201; AU2018100400; AU2018211060; AU2019100743; AU2020201238; RU2757433; RU2760718; EP3294955; JP6768709; KR10-2256018; IDP000068640; and patents pending.

GOMACO and G+ are registered trademarks of GOMACO Corporation.

GOMACO Corporation reserves the right to make improvements in design, material, and/or changes in specifications at any time without notice and without incurring any obligation related to such changes. Performance data is based on averages and may vary from machine to machine.

Printed in U.S.A. © 2022 (05Anderson500)
GOMACO Corporation Order #0400-0A10328

The GOMACO GT-3600 is carefully designed to give years of dependable and safe service. The emergency stop buttons are on the operator's console, and on corners of the machine, which are easily accessible from the ground level. Another safety feature is a backup alarm, which is designed to alert personnel around the machine when the tracks are set to operate in reverse. Machine decals are shown as internationally recognized symbols. Other safety features include track guards, warning decals, an operator's manual, and a safety manual.

-- DESIGNED FOR SAFETY --

Worldwide Headquarters
GOMACO Corporation
PO Box 151
Ida Grove, IA USA 51445
Ph: 1-712-364-3347
www.gomaco.com
E-mail: info@gomaco.com

European Headquarters
GOMACO International Ltd.
Units 14 & 15
Avenue One, Station Lane
Witney, Oxon, OX28 4XZ, United Kingdom
Ph: 44-1993-705100
E-mail: pavinguk@gomaco.com



The Worldwide Leader in Concrete Paving Technology



GOMACO Corporation's Quality Management System is ISO 9001 Certified By The American Systems Registrar.

Quality Policy: We Shall Meet Or Exceed Our Customers' Expectations.

