



CE4939 PLASTIC LID

FOR 1100 LTR. TRADE WASTE CONTAINERS.

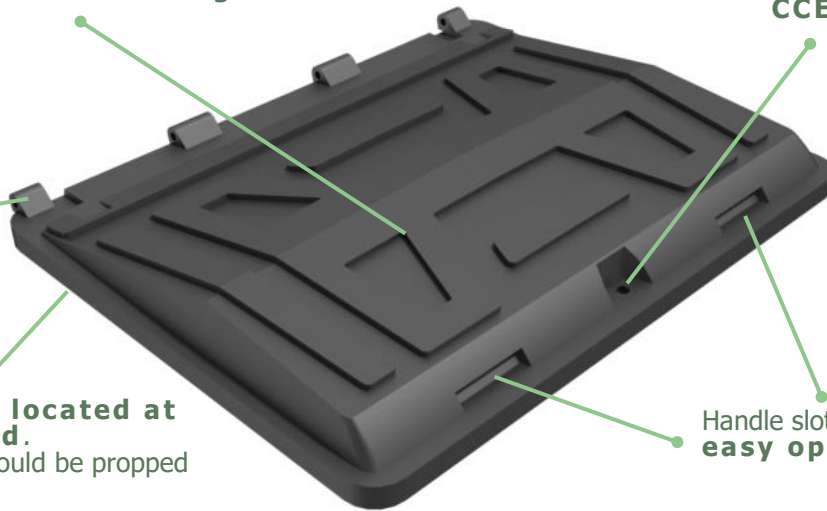
LIGHTWEIGHT - ROBUST - USER FRIENDLY - COST EFFICIENT

Nestable design for **cost-effective freight.**

Equipped to accept **patented CCE lock for security.**

4 hinge lugs designed for **extra strength.**

Prop sockets are located at the rear of the lid.
This is where the lid should be propped open.



Handle slots for **easy opening and closing.**

Suitable for roll-top conversion.

TECHNICAL DIMENSIONS

AVAILABLE ACCESSORIES

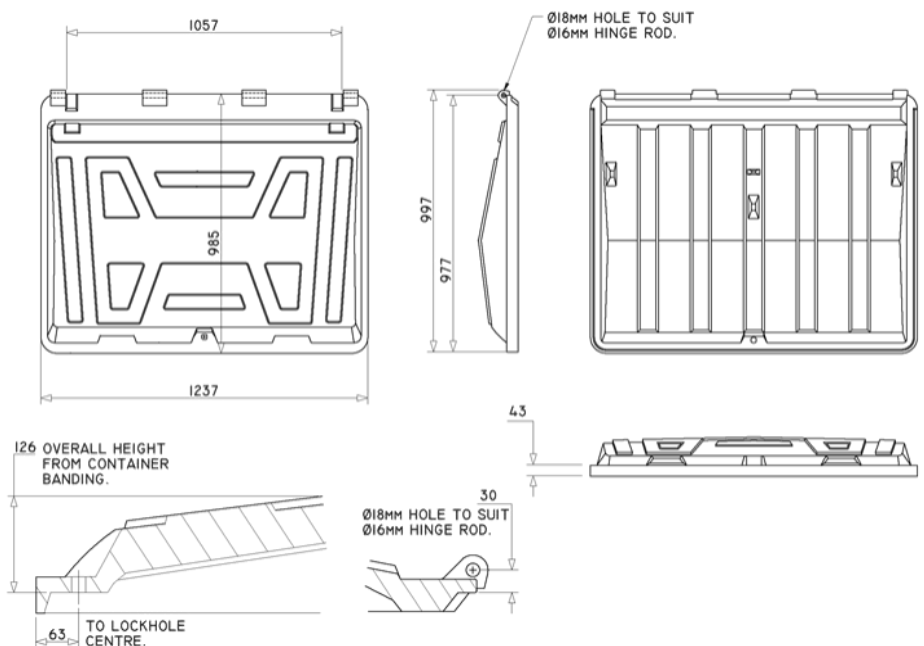
> hinge bar, brackets & locks

MATERIAL

> Rotationally moulded from **UV - stabilized LMDPE; double-walled; oil, chemical and frost resistant; 100% recyclable.**

COLOURS

> Available in **black** and a **wide variety of colours.**



enq@duraflexlids.co.uk — 0044 1246 853696

www.duraflexlids.co.uk



ISO 9001 : 2015
ISO 14001 : 2015

Cert No. 8998