

**HABA-BETON**

MONOLITHIC IDEAS [WWW.HABA-BETON.EU](http://WWW.HABA-BETON.EU)

# Manhole system Middle East



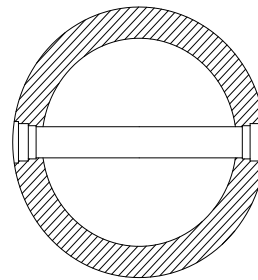
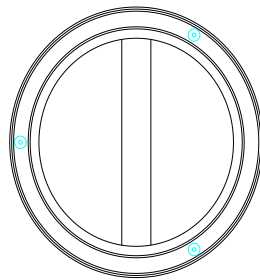
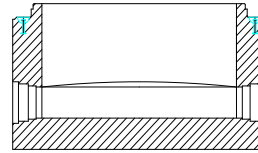
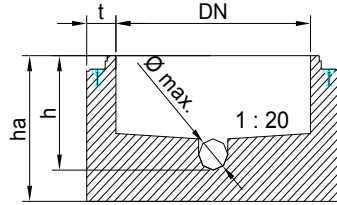
# Manhole base SU-M

DIN EN 1917 - DIN V 4034-1

HABA-PERFECT

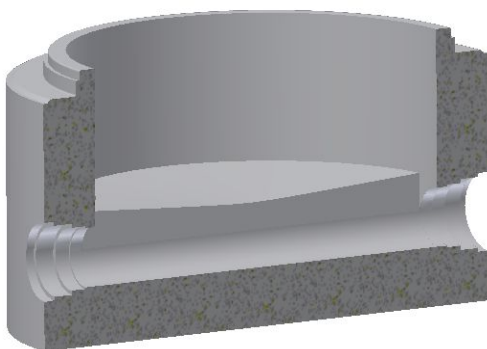
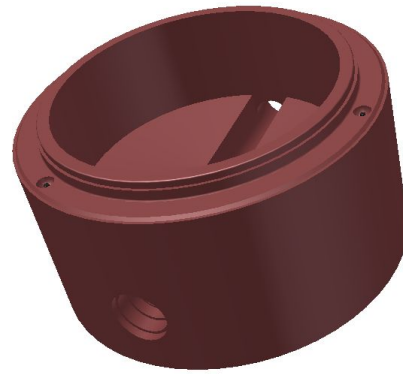
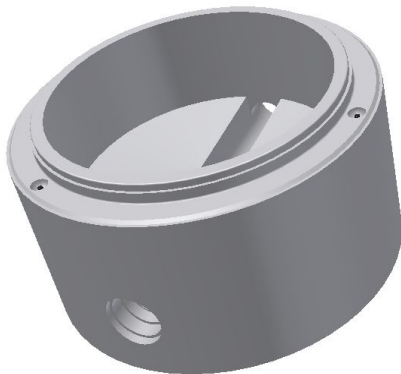
Monolithic base, channel and benching (casted in one single pour)

DN 1000 - 1500



**PERFECT - Standard (grey)**  
 Concrete C 40/50  
 Water penetration depth < 20 mm

**PERFECT - High performance concrete (red colour)**  
 Concrete C 60/75  
 Water penetration depth < 10 mm



**Monolithic base, channel and benching (casted in one single pour).**

**Manhole base SU-M**

DIN EN 1917 - DIN V 4034-1

HABA-PERFECT

Monolithic base, channel and benching (casted in one single pour)

**DN 1000**

Diameter	External height	Approximate Channel depth	Wall thickness	maximum pipe diameter	Weight approx	Load class of lifting anchor
DN	ha	h	t	DN	kg/unit	t
mm	mm	mm	mm	mm		
<b>1000</b>	700	550	150	150	1400	3 x 1,5 - 2,5
<b>1000</b>	750	600	150	200	1460	3 x 1,5 - 2,5
<b>1000</b>	800	650	150	250	1500	3 x 1,5 - 2,5
<b>1000</b>	850	700	150	300	1700	3 x 1,5 - 2,5
<b>1000</b>	950	800	190	400	2050	3 x 1,5 - 2,5
<b>1000</b>	1100	900	190	500	2330	3 x 1,5 - 2,5
<b>1000</b>	1200	1000	230	600	2550	3 x 1,5 - 2,5

**Secondary inlets are made level to crown by default.**

1) Concrete, PVC, GRP; Further connection types on request.

**Manhole base SU-M**

DIN EN 1917 - DIN V 4034-1

HABA-PERFECT

Monolithic base, channel and benching (casted in one single pour)

**DN 1200**

Diameter	External height	Approximate Channel depth	Wall thickness	maximum pipe diameter	Weight approx	Load class of lifting anchor
DN	ha	h	t	DN		
mm	mm	mm	mm	mm	kg/unit	t
1200	750	550	150	150	2100	3 x 1,5 - 2,5
1200	800	600	150	200	2300	3 x 1,5 - 2,5
1200	850	650	150	250	2400	3 x 1,5 - 2,5
1200	900	700	150	300	2500	3 x 1,5 - 2,5
1200	750	550	190	150	2512	3 x 3 - 5
1200	800	600	190	200	2667	3 x 3 - 5
1200	850	650	190	250	2802	3 x 3 - 5
1200	900	700	190	300	2918	3 x 3 - 5
1200	1000	800	190	400	3089	3 x 3 - 5
1200	1100	900	190	500	3179	3 x 3 - 5
1200	850	650	230	150	3097	3 x 3 - 5
1200	900	700	230	200	3274	3 x 3 - 5
1200	950	750	230	250	3429	3 x 3 - 5
1200	1000	800	230	300	3564	3 x 3 - 5
1200	1100	900	230	400	3771	3 x 3 - 5
1200	1200	1000	230	500	3896	3 x 3 - 5
1200	1200	1000	230	600	3439	3 x 3 - 5
1200	850	650	260	150	3150	3 x 3 - 5
1200	900	700	260	200	3350	3 x 3 - 5
1200	950	750	260	250	3500	3 x 3 - 5
1200	1000	800	260	300	3650	3 x 3 - 5
1200	1100	900	260	400	3890	3 x 3 - 5
1200	1200	1000	260	500	4300	3 x 3 - 5
1200	1200	1000	260	600	3850	3 x 3 - 5
1200	1400	1200	380	700	3450	3 x 3 - 5
1200	1400	1200	380	800	3500	3 x 3 - 5

**Secondary inlets are made level to crown by default.**

1) Concrete, PVC, GRP; Further connection types on request.

**Manhole base SU-M**

DIN EN 1917 - DIN V 4034-1

HABA-PERFECT

Monolithic base, channel and benching (casted in one single pour)

**DN 1500**

Diameter	External height	Approximate Channel depth	Wall thickness	maximum pipe diameter	Weight approx	Load class of lifting anchor
DN	ha	h	t	DN	kg/unit	t
mm	mm	mm	mm	mm		
1500	850	650	230	150	3800	3 x 3 - 5
1500	900	700	230	200	4100	3 x 3 - 5
1500	950	750	230	250	4350	3 x 3 - 5
1500	1000	800	230	300	4550	3 x 3 - 5
1500	1100	900	230	400	4900	3 x 3 - 5
1500	1200	1000	230	500	5550	3 x 3 - 5
1500	1200	1000	230	600	5000	3 x 3 - 5
1500	1600	1400	380	700	6130	3 x 3 - 5
1500	1600	1400	380	800	5860	3 x 3 - 5
1500	1600	1400	380	900	5600	3 x 3 - 5
1500	1600	1400	380	1000	5350	3 x 3 - 5

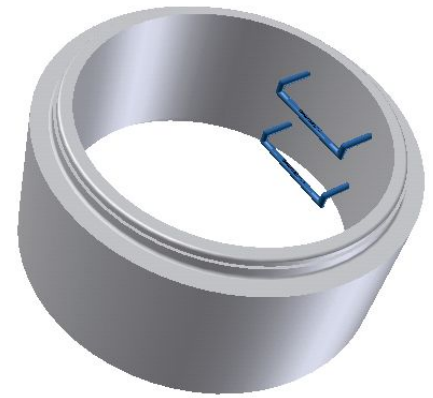
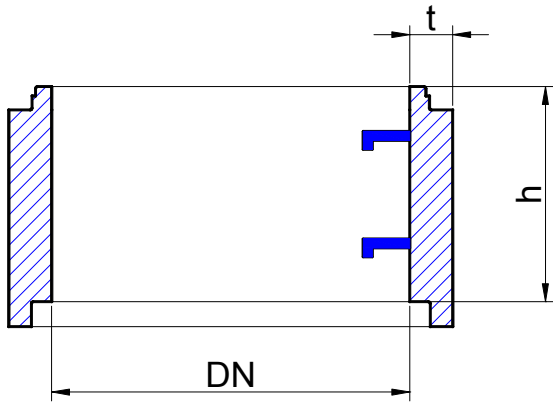
**Secondary inlets are made level to crown by default.**

1.) Concrete, PVC, GRP; Further connection types on request.

# Manhole Chamber Units SR-M

with steps of type A  
**DN 1000 - 1500**

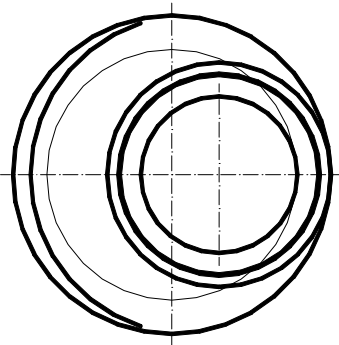
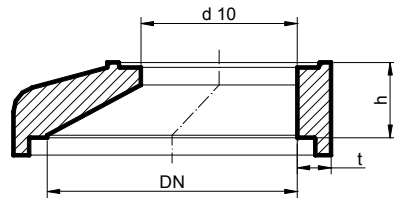
DIN EN 1917 - DIN V 4034-1



Diameter	Approximate Channel depth	Wall thickness	Weight approx	Load class of lifting anchor
DN	h	t		
mm	mm	mm	kg/unit	t
<b>1000</b>	250	120	264	---
<b>1000</b>	500	120	528	---
<b>1000</b>	750	120	792	---
<b>1000</b>	1000	120	1056	---
<b>1200</b>	250	135	354	---
<b>1200</b>	500	135	708	---
<b>1200</b>	750	135	1062	---
<b>1200</b>	1000	135	1415	---
<b>1500</b>	250	150	486	---
<b>1500</b>	500	150	972	---
<b>1500</b>	750	150	1458	---
<b>1500</b>	1000	150	1944	---

# Manhole Taper (eccentric cones) SH-M<sub>DIN EN 1917 - DIN V 4034-1</sub>

DN 1000 - 1500



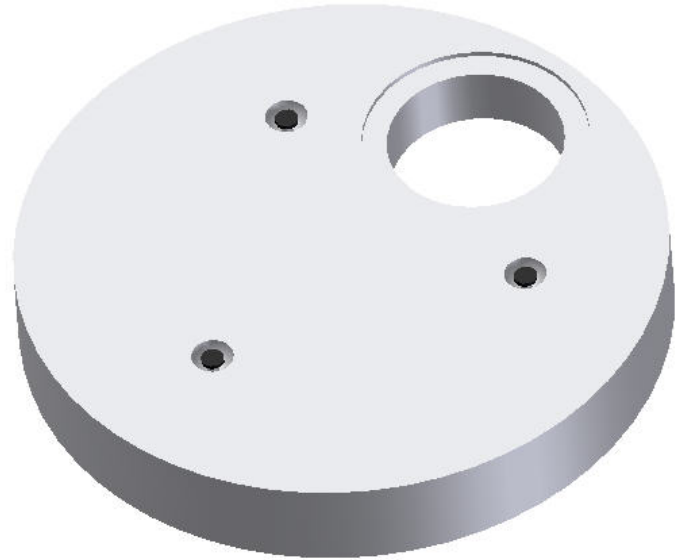
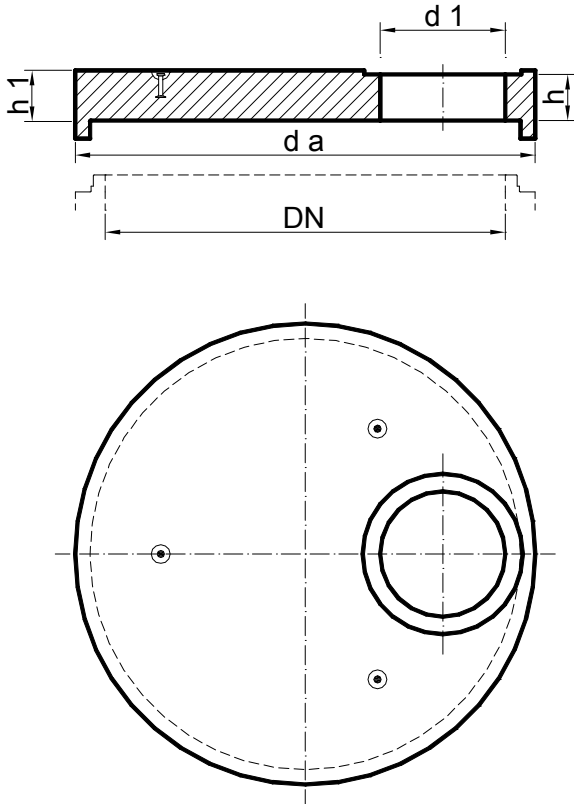
Diameter	Opening	Approximate Channel depth	Wall thickness	Weight approx	Load class of lifting anchor
DN	d 10	h	t		
mm	mm	mm	mm	kg/unit	t
<b>1000</b>	625	300	120	500	---
<b>1000</b>	625	600	120	600	---
<b>1000</b>	625	850	120	830	---
<b>1200</b>	625	600	135	760	---
<b>1200</b>	625	850	135	1114	---
<b>1500</b>	625	600	150	1350	---
<b>1500</b>	625	850	150	2250	---

# Cover Slabs (eccentric) AP-M-S

DIN EN 1917 - DIN V 4034-1

DN 1000 - 1500

EN 124 Class E600 (test load 600 kN, applicable for areas imposing high wheel loads)



Diameter	Outside diameter	Opening	Slab thickness	Effective height	Weight approx	Load class of lifting anchor
DN	$d_a$	$d_1$	$h_1$	$h$		
mm	mm	mm	mm	mm	kg/unit	t
<b>1000</b>	1240	625	220	200	495	Rope loops
<b>1200</b>	1470	625	220	200	765	Rope loops
<b>1500</b>	1800	625	220	200	1231	3 x 3 - 5

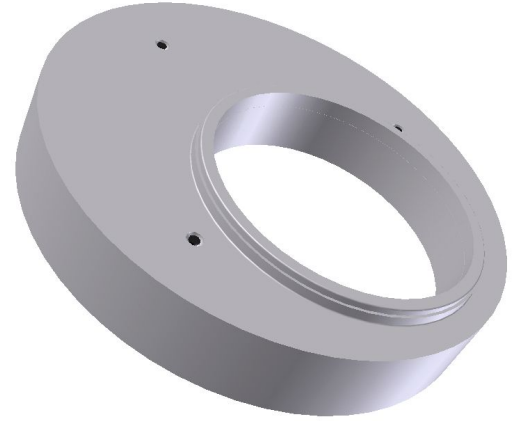
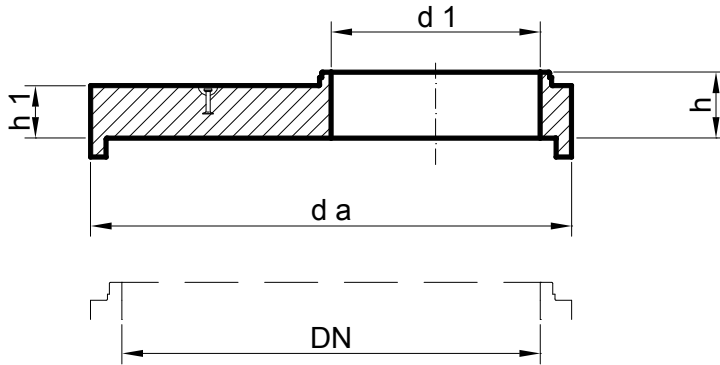


# Reducing slabs, eccentric UEP-M-S

DIN EN 1917 - DIN V 4034-1

**DN 1200 - 1500**

**EN 124 Class E600 (test load 600 kN, applicable for areas imposing high wheel loads)**



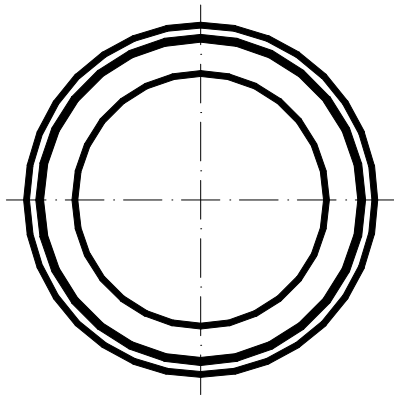
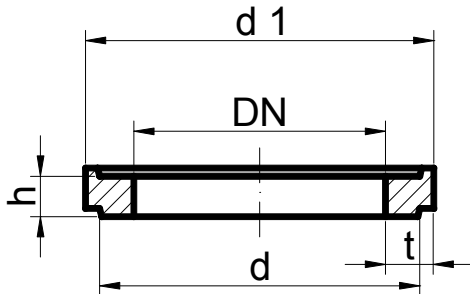
Diameter	Outside diameter	Opening	Slab thickness	Effective height	Weight approx	Load class of lifting anchor
DN	$d_a$	$d_1$	$h_1$	$h$		
mm	mm	mm	mm	mm	kg/unit	t
<b>1200</b>	1470	1000	200	265	456	Rope loops
<b>1500</b>	1800	1000	200	265	880	Rope loops
<b>1500</b>	1800	1200	200	275	707	Rope loops

# Adjusting units AR-V

DIN EN 1917 - DIN V 4034-1


No displacement by means of spigot and socket joint

DN 625



Diameter	Approximate Channel depth	Outside diameter	Diameter of support	Wall thickness	Weight approx	Piece per bundle
DN	h	d <sub>1</sub>	d	t		
mm	mm	mm	mm	mm	kg/unit	
625	60	865	795	120	42	16
625	80	865	795	120	56	13
625	100	865	795	120	70	10

## Seals with integrated load transfer

DS SDVseal	DN 1000 DN 1200 DN 1500																								Pre-lubricated seal
																									

## Manhole accessories

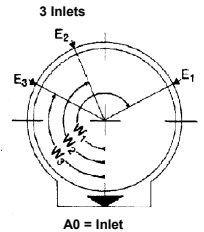
<p>Polypropylene (black) encapsulated steps with steel core</p> <p><b>A400</b></p>		
--	---	--

Building site: \_\_\_\_\_ desired date of delivery: \_\_\_\_\_

Partner: \_\_\_\_\_ telephone.: \_\_\_\_\_

**Diameter:**       DN 1000       DN 1200       DN 1500

**Execution:**       Perfect-Standard       Perfect-Hochleistung



Connection + intake heights	Manhole-Nr.								
	Manhole height up to ground level								
	Connection of								
	A0 nom. size (mm)								
	Slope of pipe (%)								
	<b>Inlet E1 (Material)</b>								
	Nominal size (mm)								
	Angle W1 (gon)								
	Slope of pipe (%)								
	Intake height E1 (mm)								
	<b>Inlet E2 (Material)</b>								
	Nominal size (mm)								
	Angle W2 (gon)								
	Slope of pipe (%)								
	Intake height E2 (mm)								
	<b>Inlet E3 (Material)</b>								
	Nominal size (mm)								
	Angle W3 (gon)								
	Slope of pipe (%)								
	Intake height E3 (mm)								
<b>Inlet E4 (Material)</b>									
Nominal size (mm)									
Angle W4 (gon)									
Slope of pipe (%)									
Intake height E4 (mm)									
Other									



- ① D-84518 Garching a. d. Alz +49/86 34 / 62 40-0
- ② D-88317 Aichstetten +49/75 65/94 14-0
- ③ D-04668 Großsteinberg +49/3 42 93/440-0
- ④ D-84576 Teising +49/86 33 / 509 64-0
- ⑤ D-86842 Türkheim +49/82 45/96 01-0
- ⑥ A-5431 Kuchl +43/6245/82 400
- ⑦ A-3134 Nußdorf +43/27 83/41 38
- ⑧ PL-47-143 Ujazd +48/77 / 405 69-00
- ⑨ D-84577 TöBling (Paving production plant) +49/86 33/5077-0

