

SEMI-UNDERGROUND WASTE SYSTEMS

# SEMIO

## STEEL

VERSION



# SMALL SPACE LARGE VOLUME

## GETTING TO THE BOTTOM OF THINGS

Perfect for all locations with high amounts of waste: the semi-underground container offers a large fill volume, reduces emptying frequency and lowers maintenance costs. Only one third of the product is visible. The SEMIO with its new straight design and all its finish options can be integrated into many different public spaces.



Round insert



Rectangular insert

## COMPREHENSIVE STANDARD

- Large fill volume, yet small space required
- Perfect construction: straight shape and wide bottom-openings to ensure smooth flow of waste from the container
- Mobile body of galvanised steel
- Hoisting system and doors are protected from corrosion by hot-dip galvanised steel
- Reduced odours and noise
- Can be emptied by a single operator
- Fixed body made of concrete with steel reinforcement
- Individual cladding available
- Constructed from materials suitable for recycling
- Absolutely watertight against ground and rain water
- Safety ensured for both user and waste collection personnel
- Low maintenance

## FUNCTIONAL AND CONFORMING TO STANDARDS

ESE always considers the entire logistic and application chain when designing products, including requirements for filling, emptying, handling, health and safety. SEMIO fulfils all current European and national standards and is certified in accordance with the European standard EN 13071.



## STANDARD COLOURS

Colour		Dome lid*		Cover lid
		steel	plastic	plastic
Bronze	RAL 7013	X		X
Green	RAL 6004	X		X
Bordeaux	RAL 3005	X		X
Blue	RAL 5005			X
Yellow	RAL 1023			X
Grey	RAL 7015			X

\* also available without lacquering

## WEIGHTS

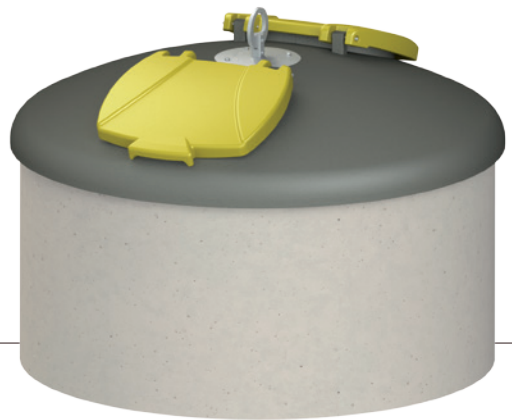
	mobile body 5m <sup>3</sup>	mobile body 5m <sup>3</sup>
	empty weight	max. permissible weight
SEMIO single hook (kg)	450	2450
SEMIO double hook (kg)	490	2490
SEMIO mushroom system (kg)	488	2488

The weight of the fixed concrete body is approx. 3900 kg.

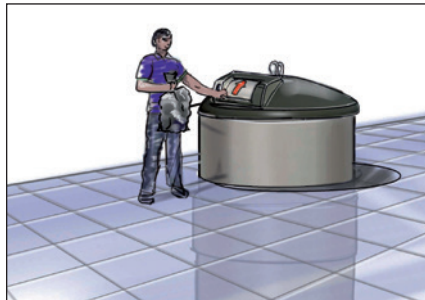
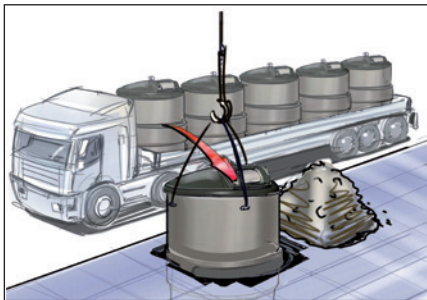
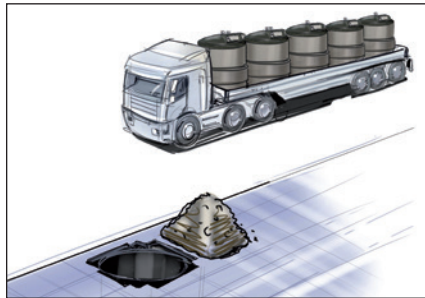
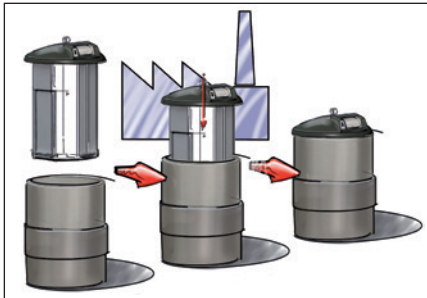
## OPTIONS

- Recycling inserts
- Different hoisting systems
- Different locking versions
- Inserts reducing volume to 3 or 4 m<sup>3</sup>
- Decoration of the concrete: wood panels
- Double drum / Access control
- Fill level monitoring system

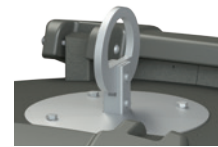
Double drum with access control



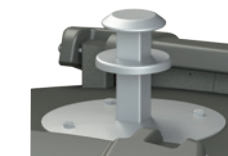
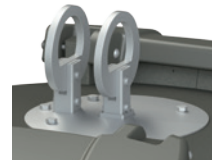
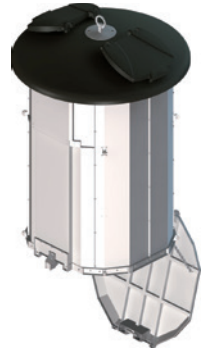
PRE-INSTALLED FOR QUICK INSTALLATION



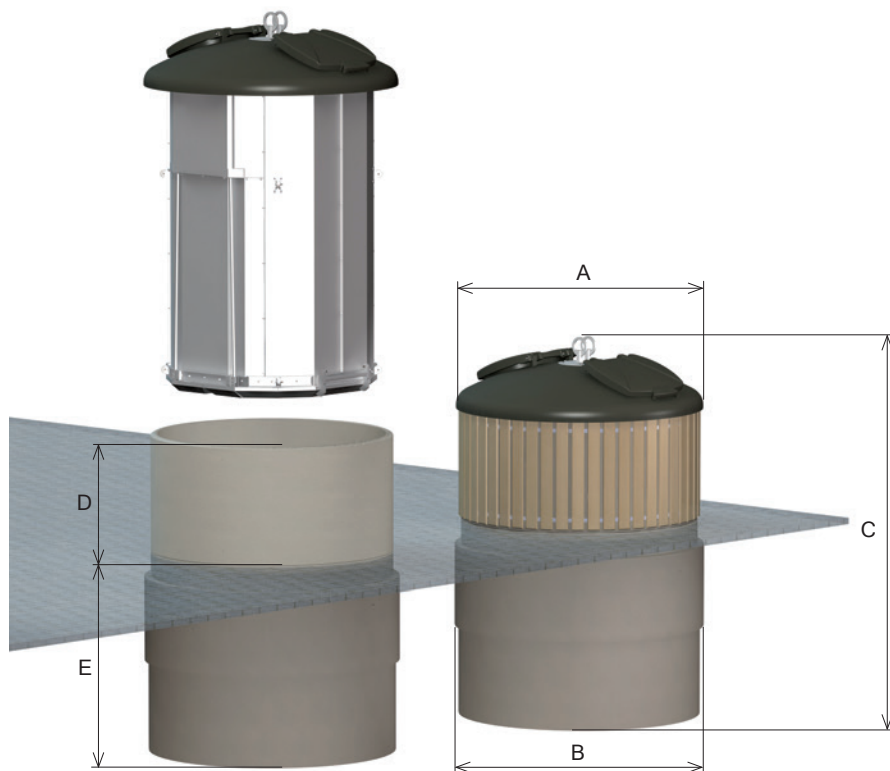
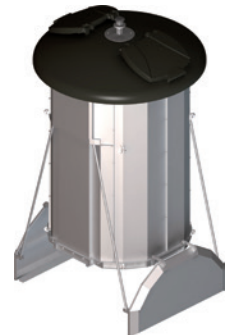
CRANE ATTACHEMENTS AND BOTTOM FLAPS



Single hook system for one-piece bottom flap



Double hook system and mushroom system for two-piece bottom flap



DIMENSIONS

Nominal volume (m <sup>3</sup> )	5
A Mobile body (mm)	ø 1940
B Fixed body (mm)	ø 1960
C Overall height (mm)	2980
D Aboveground concrete part (mm)	min. 900
E Underground concrete part (mm)	1546

## ESE - WE VALUE YOUR RECYCLABLES



KERBSIDE SYSTEMS  
MOBILE CONTAINERS FOR  
WASTE AND RECYCLABLES



BRING SYSTEMS  
(SEMI-) UNDERGROUND SYSTEMS  
COLLECTION BANKS



BIO SELECT LINE  
CONTAINERS AND COMPOSTERS  
FOR GARDEN AND BIO WASTE



HAZARDOUS WASTE CONTAINERS  
MOBILE FUEL CONTAINERS  
MOBILE OIL CHANGE UNITS



PUBLIC FURNISHING  
BINS FOR THE PUBLIC SPACE



CONTAINER MANAGEMENT  
DISTRIBUTION, REGISTRATION,  
COLLECTION AND RECYCLING

ESE is Europe's leading manufacturer of temporary storage solutions for waste and recyclables. Our comprehensive range of products is complemented by a full service offer from container management to the recycling of products at the end of their lifetime. Specialists in all departments develop solutions to meet our customers' requirements. In doing so, we follow the principle of highest possible sustainability from product development and production to transport.