

2kW CONVECTION HEATER

User Instructions



220-240V/1/50Hz
READ AND SAVE THESE INSTRUCTIONS

User Instructions for the Convection Heater.

IMPORTANT: READ THESE INSTRUCTIONS BEFORE USE.

DO NOT use this product in areas where the following may be present or occur.

- Excess oil or grease-laden atmosphere.
- Excessive dust is generated or present.
- Corrosive or flammable gases, liquids or vapours.

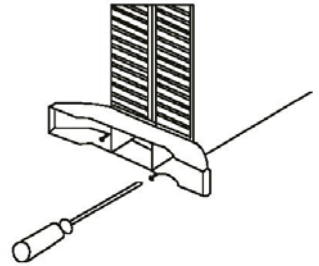
SAFETY AND GUIDANCE NOTES

- A.** All wiring must be in accordance with the current I.E.E. Regulations, or the appropriate standards of your country.
- B.** Ensure that the mains supply (Voltage, Frequency and Phase) complies with the rating label.
- C.** The Heater **MUST NOT** be used in a BATHROOM, SHOWER OR SWIMMING POOL area.
- D.** Do not handle this appliance with wet hands.
- E.** Do not locate the Heater immediately below a fixed socket outlet.
- F.** Ensure the electrical lead does not come into contact with the Heater cover.
- G.** The Heater outer casing may become very hot if the Heater is used for prolonged periods, do not place clothing or similar objects over the heater (covering the Heater may cause fire).
- H.** Ensure that the air intake and outlet are unobstructed at all times.
- I.** The heater is for indoor use only.
- J.** Always ensure that the heater is placed on a firm level surface.
- K.** Do not place the heater on carpets having a very deep pile.
- L.** Do not place the heater close to curtains or furniture in order to avoid a fire hazard.
- M.** Do not insert any object through the heat outlet or air grilles of the heater.
- N.** Do not use the heater in areas where flammable liquids are stored or where flammable fumes may be present.
- O.** Always unplug the heater when moving it from one location to another.
- P.** Warning: If the supply cord is damaged, it must be replaced by a suitably qualified person in order to avoid a hazard.
- Q.** This appliance is not intended for use by persons (including children) with reduced physical, sensory or mental capabilities, or lack of experience and knowledge, unless they have been given supervision or instruction concerning the use of the appliance by a person responsible for their safety.
- R.** Children should be supervised to ensure that they do not play with the appliance.

Note:- It is normal when the heater is turned on for the first time for the heater to emit some smell and fumes. This will disappear when the heater has been on a short while.

1. ASSEMBLY

- Before using the heater, the feet (supplied separately in the carton), must be fitted to the unit. These are to be attached to the base of the heater using the 4-off self-tapping screws provided, taking care to ensure that they are located correctly in the bottom ends of the heater side moldings.
- For wall mounting the heater refer to the wall mounting section on the rear of this leaflet.



2. OPERATION.

- A. The Heater is ready for use after inserting the plug into a socket outlet.
- B. Select the required heating capacity (750W, 1250W or 2000W) to suit the application, using the two selector switches on the side of the Heater.
- C. The capacity selected will be indicated by a red neon light on the switch.

3. THERMOSTAT.

- A. To set the thermostat to the required temperature, turn the thermostat control to High.
- B. When the desired room temperature is reached, slowly turn the thermostat control down, until the heater turns off. The thermostat is now set to the required temperature setting.

4. SAFETY FEATURE

- The Heater has a built-in thermal cutout switch (ES). Should the switch trip-out, the heater must be switched off for approximately 10 minutes, to allow the heater to cool down.
- After approximately 10 minutes, switch the heater on, if the cut-out switch trips out again, switch the heater off and contact AN ELECTRICALLY QUALIFIED / COMPETENT PERSON to carry out an inspection of the heater.

5. ROUTINE INSPECTION AND MAINTENANCE



ISOLATE THE UNIT FROM THE POWER SUPPLY AND ENSURE THAT IT CANNOT BE ACCIDENTALLY SWITCHED BACK ON

At appropriate intervals, the Heater should be inspected and cleaned to ensure there is no build up of dirt or other deposits, which could restrict the airflow.

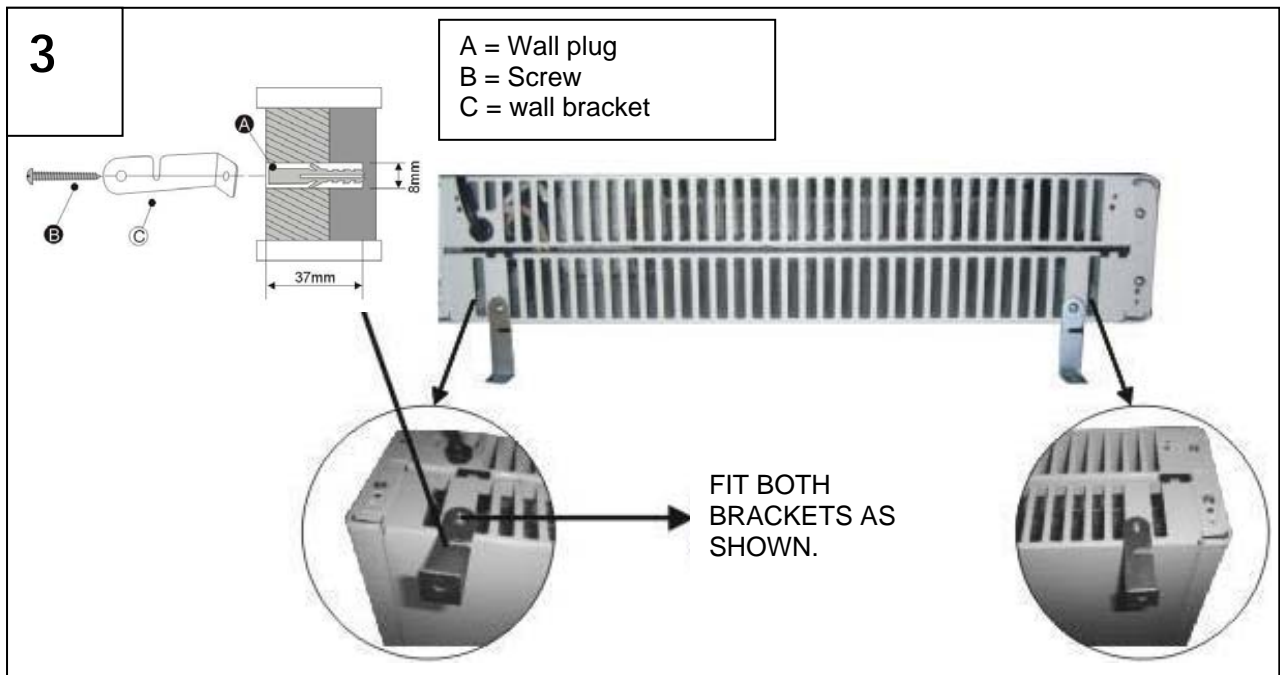
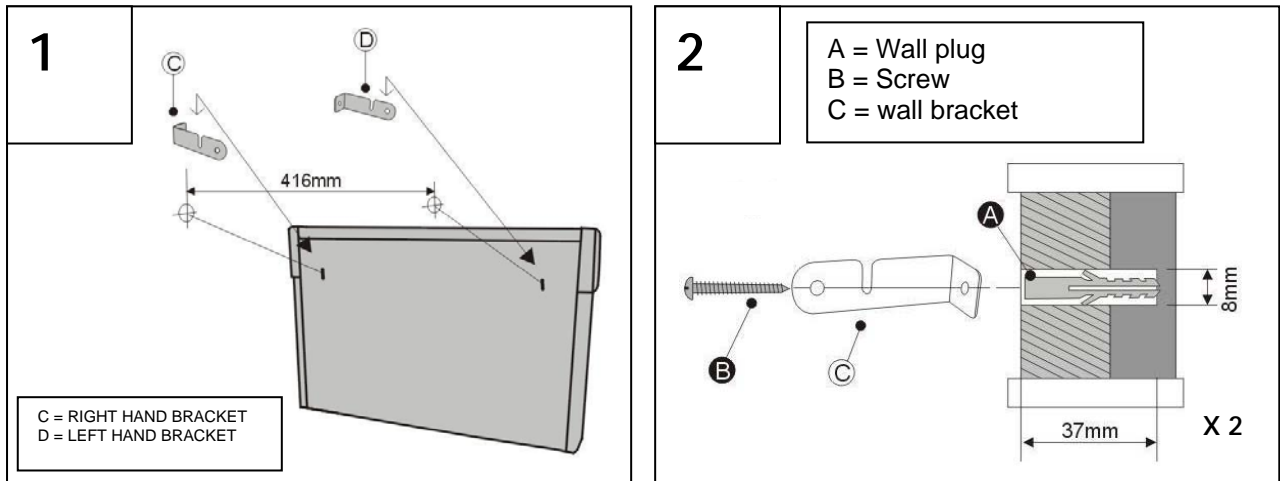
Clean the outside of the heater by wiping with a damp cloth and then wipe with a dry cloth.

Do not use any detergents or abrasives and do not allow any water to enter the heater.

6. WALL MOUNTING THE HEATER (Optional)

The heater is supplied with two pairs of brackets for wall mounting when required. Two holes are to be drilled in the wall for fixing the upper two brackets [2] (note the brackets are handed). The slots in the upper brackets need to be positioned to line up with the two slots in the back of the heater [1].

The other two brackets need to be secured to each corner of the base using the holes provided. If necessary, these two lower brackets can be fixed to the wall. [3]



This product should not be disposed of with household waste. Please recycle where facilities exist. Check with your local authority for recycling advice.