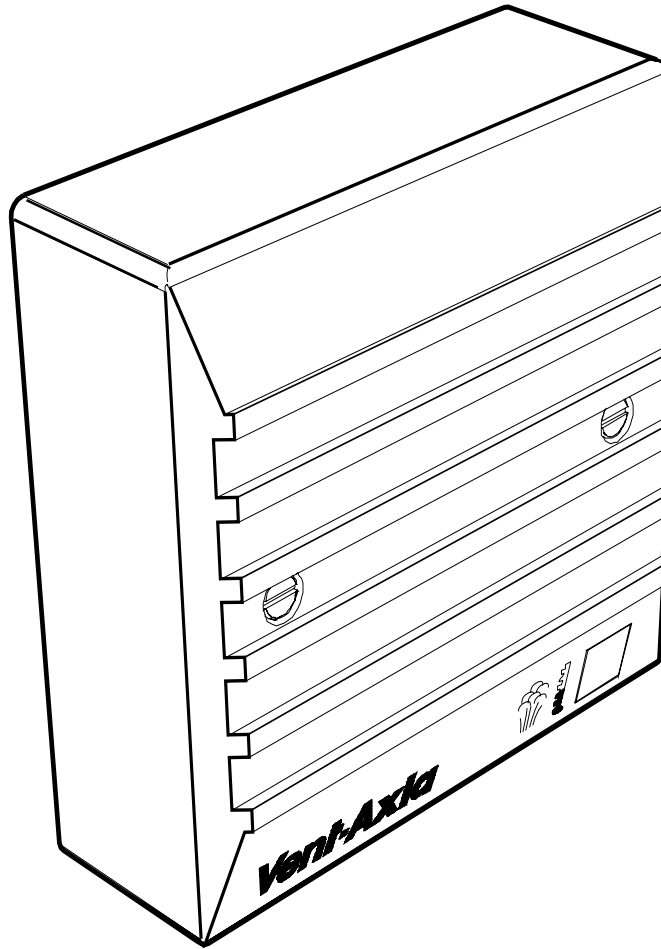


Vent-Axia®

LOWATT AMBIENT RESPONSE HUMIDITY SENSOR

Fitting and Wiring Instructions



OPERATING RANGE: +5°C to +40°C, up to 90% RH

INPUT: 11-14V d.c.

MAXIMUM LOAD: 8-14V d.c. 5.6A

REF. No. 563552A



Please leave this document with the end user.

PLEASE READ ALL INSTRUCTIONS CAREFULLY BEFORE INSTALLATION

OPERATION

This sensor is designed to respond to the severity of moisture generating activity as well as the ambient humidity and then to switch on an extract fan.

The pullcord will override the RH control and switch the fan on to run continuously. The pullcord should be pulled again to return the sensor to the automatic mode i.e. to be activated by the Humidity sensor. There is no permanent "OFF" position.

Note to the installer and end user.

When power is first applied to the sensor, it will switch the fan on for approximately 2 seconds to indicate the power is connected. If the fan remains switched on for more than 10 seconds, the pullcord should be pulled once to check that the sensor is not in override mode. (LED will go out).

The LED ON indicates that the Humidity sensor is in manual override mode.

After initial start up the Humidity sensor will take approximately 1 minute to acclimatise to the local environment before entering its operational state.

SITING

- This sensor is not suitable for installation in a shower cubicle or enclosure where water droplets can cause damage to the sensing element.
- Site the sensor on a wall away from direct sources of heat and out of direct sunlight. Do not site directly above a cooker or in an area where excessive heat, smoke or grease is present as this may affect the accurate working of the Humidity sensor.
- Site the sensor away from the fan, on an inside wall between the major moisture sources and the door to the other rooms of the home, position about 100mm (4") below the ceiling and preferably in direct sight of the fan i.e, not in a dead spot behind or above a cupboard.

FITTING

The Humidity sensor is designed for fitting onto any British single-gang outlet box, either surface or recessed; which has a minimum depth of 20mm. A Vent-Axia surface mounting box (stock ref. no. 410020) is available.

WIRING

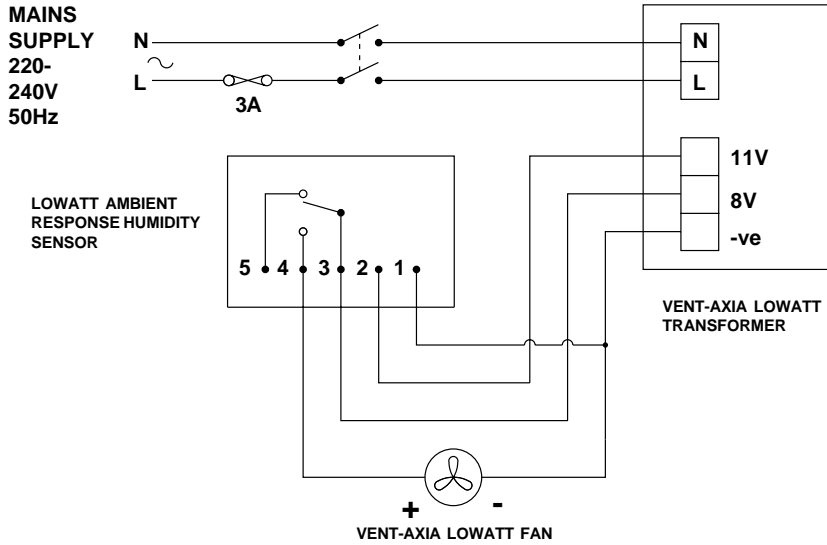
Warning

- Switch off mains before proceeding with wiring.
- Ensure mains supply is correct and the load does not exceed sensor rating.
- The sensor (and any appliance) must be installed in accordance with IEE regulations (BS7671) in the UK or the appropriate standards in your country.
- The sensor is a Class III SELV product and **MUST NOT** be earthed. It must be connected to an 11-14V d.c. SELV power supply which can also provide power for a Vent-Axia LoWatt fan.

Mains wiring to the transformer should be via a switched spur fitted with a 3 amp fuse (UK). The installation **MUST** be provided with a double pole switch with contact separation of at least 3mm. The switch should be located outside the room if it contains a fixed bath or shower, or in accordance with mandatory wiring and safety regulations.

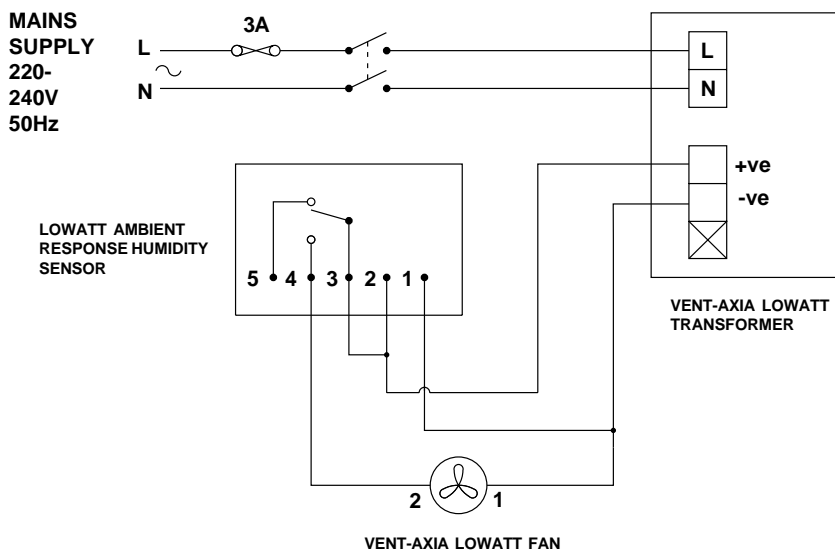
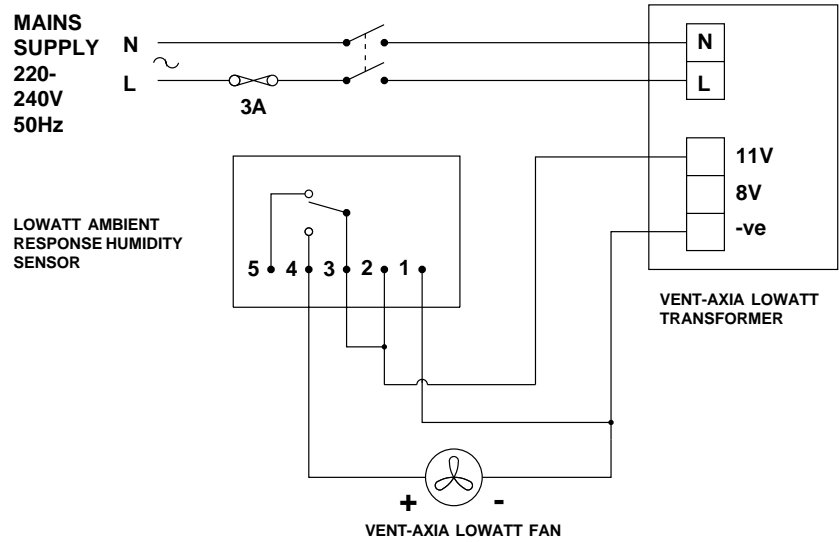
A total SELV cable run of not more than 20m is recommended. The SELV wiring should be physically separated and insulated from the mains supply or other cabling. Cut the outer sheathing back as little as possible so that the insulating sheath almost reaches the terminal block. Cable of cross sectional area not less than 0.75mm² is recommended.

WIRING DIAGRAMS



LOWATT TOILET FANS

LOWATT BATH / UTILITY FANS



LOWATT KITCHEN / SOLO FANS

DETAILS OF LOWATT AMBIENT RESPONSE HUMIDITY SENSOR TERMINALS

1. d.c. (-ve) SUPPLY
2. 11-14V d.c. (+ve) SUPPLY
3. RELAY COMMON CONTACT
4. RELAY NORMALLY OPEN CONTACT (CLOSES FOR RH% OR MANUAL OVERRIDE)
5. RELAY NORMALLY CLOSED CONTACT (OPENS FOR RH% OR MANUAL OVERRIDE)

