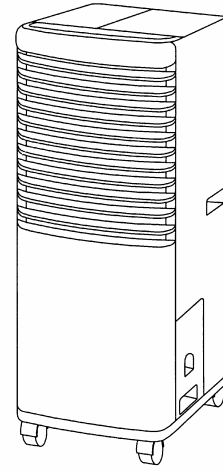


Mobile Air Conditioner

Please read these instructions carefully before operating this unit



IMPORTANT

- ◆ Ensure that the Voltage marked on the unit agrees with your mains Voltage.
- ◆ The unit installation must comply with all applicable local and national regulations.
- ◆ The Air Conditioner is a Class 1 appliance and **MUST BE EARTHED**.
- ◆ The manufacturer does not accept any liability if the safety standards are not observed.
- ◆ This unit complies with all applicable EC Directives.
- ◆ The wires in the mains lead are coloured in accordance with the following code:-

GREEN/YELLOW = Earth

BLUE = Neutral

BROWN = Live

As the colours of the wires in the mains lead of this appliance may not correspond with the coloured markings identifying the terminals in your plug proceed as follows:

- ◆ The wire, which is coloured green/yellow, must be connected to the terminal in the plug, which is marked with the letter E, or by the earth symbol or coloured green or green/yellow.
- ◆ The wire, which is coloured blue, must be connected to the terminal, which is marked with the letter N or coloured black.
- ◆ The wire, which is coloured brown, must be connected to the terminal, which is marked with the letter L or coloured red.

SPECIFICATIONS

1	MODEL		UNIT	427585
2	COOLING CAPACITY		W	2200
3	MOISTURE REMOVAL		l/hr (l/day)	1.5 (36)
4	POWER CONSUMPTION	COOLING	W	950
		DEHUMIDIFYING	W	820
		FAN	W	40
5	NOISE LEVEL		dB (A)	51.5
6	POWER SOURCE			230V~50Hz 1Ph
7	COOLANT		kg	0.52 (R407C)
8	NETT WEIGHT		kg	33.5
9	WATER TANK VOLUME		l	3.6
10	DIMENSIONS (HxWxD)		mm	788x326x415

- ❖ The above cooling capacity stated in the table above was measured at a room temperature of 30°C, relative humidity 70%
- ❖ Specifications are subject to change without notice for further improvement.

Control Panel Layout

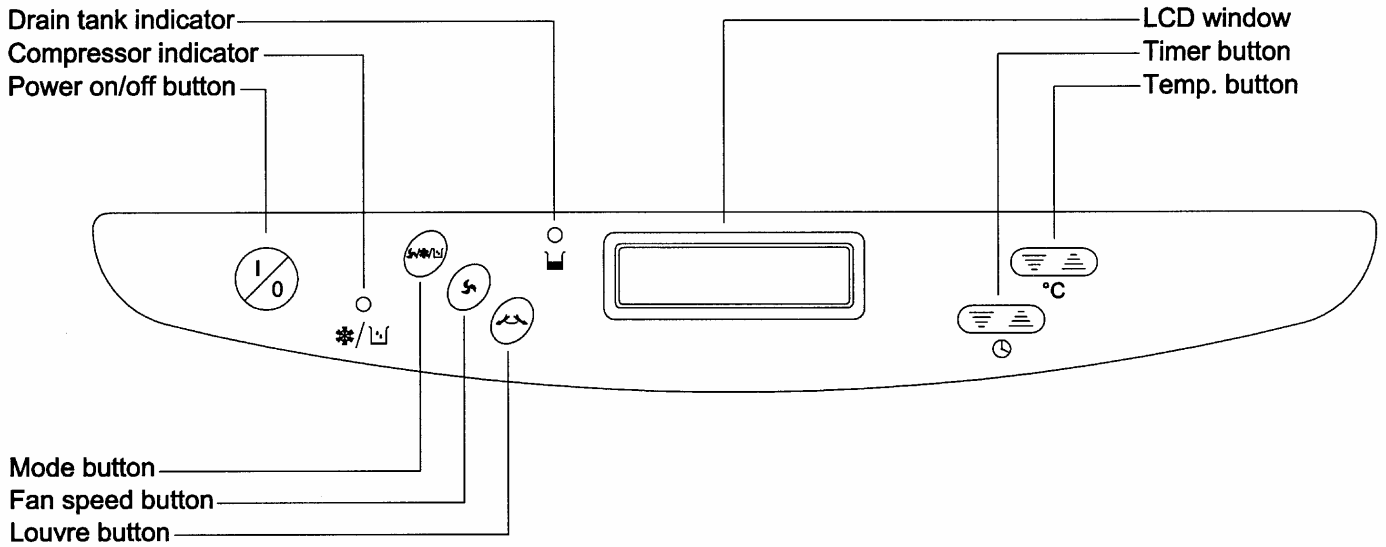


Fig 1

Liquid Crystal Display Window

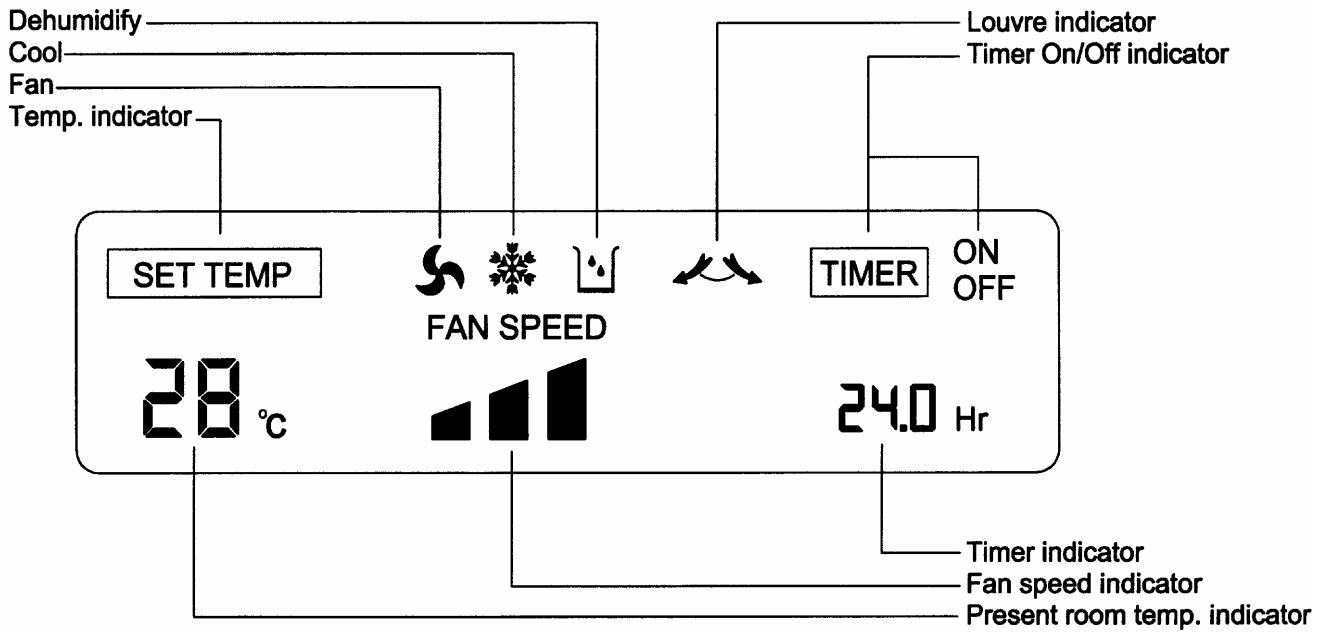


Fig 2

Control panel functions (Read in conjunction with Fig1 & Fig2)

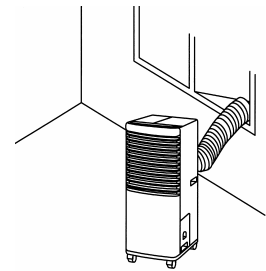
- 1) The "Power on/off button" will start or stop the Air Conditioner.
- 2) The "Mode button" will allow you to select between fan, cooling and dehumidifying. By selecting the button once more the unit will revert back to fan mode.
- 3) The "Fan speed button" will allow you to select between low, medium and high speed settings.
- 4) The "Louvre button" once selected will allow the unit to automatically vary the airflow direction.
- 5) The "Temp. button" once selected will allow the temperature to be set between the following range 16°C to 30°C. Pressing the upward pointing arrow once will raise the temperature by 1°C. You can keep pressing the button until the maximum setting of 30°C is reached. In the same way as stated above you can decrease the temperature setting by selecting the button with the arrow pointing downwards.
- 6) The "Timer button". When the machine is running you can select this function to allow the unit to stop after a set time period. Pressing the button once will increase the time by 0.5 hr before the unit switches off. The more times the button is pressed the more 0.5hr increments will be selected and will appear on the screen, up to a maximum of 24.0 hours. When the unit stops (but the power supply is still on) you can set a time for the unit to start operating. This is done in the same way as before by pressing the upward pointing arrow once to increase by 0.5 hr, and pressing the downward pointing arrow to decrease by 0.5hr.
- 7) The "Compressor indicator" when the unit is in dehumidifying mode or cooling mode, the LED will be shown lit indicating that the compressor is on.
- 8) The "drain tank indicator" when the water tank within the unit becomes full the indicator light will flash and a buzzer will sound. When this happens the compressor will stop and the unit will return to FAN mode until the tank is emptied. When this is done and the tank is put back, the unit will resume normal working conditions.

Siting of the unit

Place the Air Conditioner on a flat and level surface, so that the air outlet grilles are unobstructed. The unit should be sited no less than 50cm away from the nearest wall.

Cooling operation

- 1) Ensure that the drain tank is properly installed.
- 2) Fit the Exhaust air duct to the "Hot air outlet grille" (Fig 3) located on the rear of the unit. Run the duct out through a window/door (see diagram opposite) making sure that it is held in place. This will allow the unit to exhaust the warm air from inside the room, whilst at the same time letting fresh air enter. It is important to make sure the ducting has as few bends in as possible, and that the radius of any bends be kept as wide as the installation will allow. This will help maximise the unit's effectiveness.
- 3) Press the "Mode button" (fig 1) until the cool (snowflake) symbol appears in the LCD window.
- 4) Press the "Temp. button" (fig 1) to select the desired temperature in °C (16°C-30°C).
- 5) Press the "Fan speed button" to select low, medium & high.



NOTE:- In order to gain the best cooling effect we recommend the following.

- If the room is directly exposed to the sun, you can draw the curtains/blinds.
- Do not place the unit near any other heat source, cooker etc.

Dehumidifying operation

- 1) Keep windows and doors closed to aid in effectively dehumidifying the room.
- 2) Ensure that the drain tank is properly installed in the unit.
- 3) Press the "Mode button" (fig 1) until the dehumidify (beaker with dripping water) symbol appears in the LCD window.
- 4) When used in this mode the fan speed can not be adjusted and the air exhaust duct should **NOT** be fitted.

Fan Operation

- 1) Press the "Mode button" (fig 1) until the fan (impeller) symbol appears in the LCD window.
- 2) Press the "Fan speed button" (fig 1) to select the desired speed low, medium or high.

Timer set function

- 1) To set the time for starting the unit proceed as follows. When the unit stops (but power is still on) press the "Timer button" (fig 1). The LCD window will display the words "**TIMER ON**". Set the time to the desired amount of hours (min 0.5 Hr max 24 Hr).
- 2) To set the time for stopping the unit proceed as follows. When the unit is running press the "Timer button" (fig 1). The LCD window will display the words "**TIMER OFF**". Set the time to the desired amount of hours required.

Automatic swing function

- 1) Press the "Louvre button" (fig 1). The LCD window will display 2 arrows opposing each other, and the unit will automatically start to vary the airflow direction.
- 2) Press the "Louvre button" once more to fix the airflow to one direction only.

Water drainage

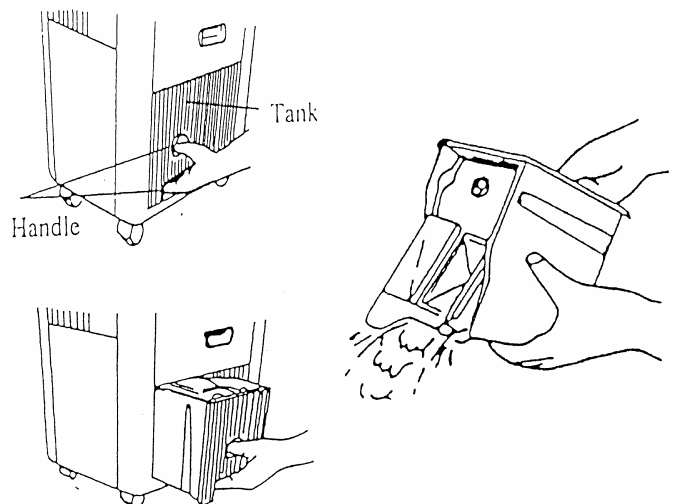
When the unit is in cooling or dehumidifying modes, the condensate water will collect in the tank. When the tank becomes full, the indicator light on the control panel will flash and the buzzer will sound (eight times). At the same time the compressor will stop running and go onto fan mode. The unit will stop working three minutes later. The water tank now requires emptying.

- 1) Remove the tank by sliding it out using the handle on the side.
- 2) Pour the drain water away.
- 3) Replace the tank.

If you wish to empty the drain tank before it gets full, turn off the dehumidifier and leave the unit for at least 3 minutes. This will prevent any drain water, which remains in the evaporator from leaking into the unit.

DO NOT REMOVE THE DRAIN TANK WHILE THE UNIT IS IN OPERATION.

Make sure that the clear/brown drain flap on the opposite side to the water tank is not left open. Water leakage will occur if the drain flap is not flush with the unit.



Front & rear view of Mobile Air Conditioner

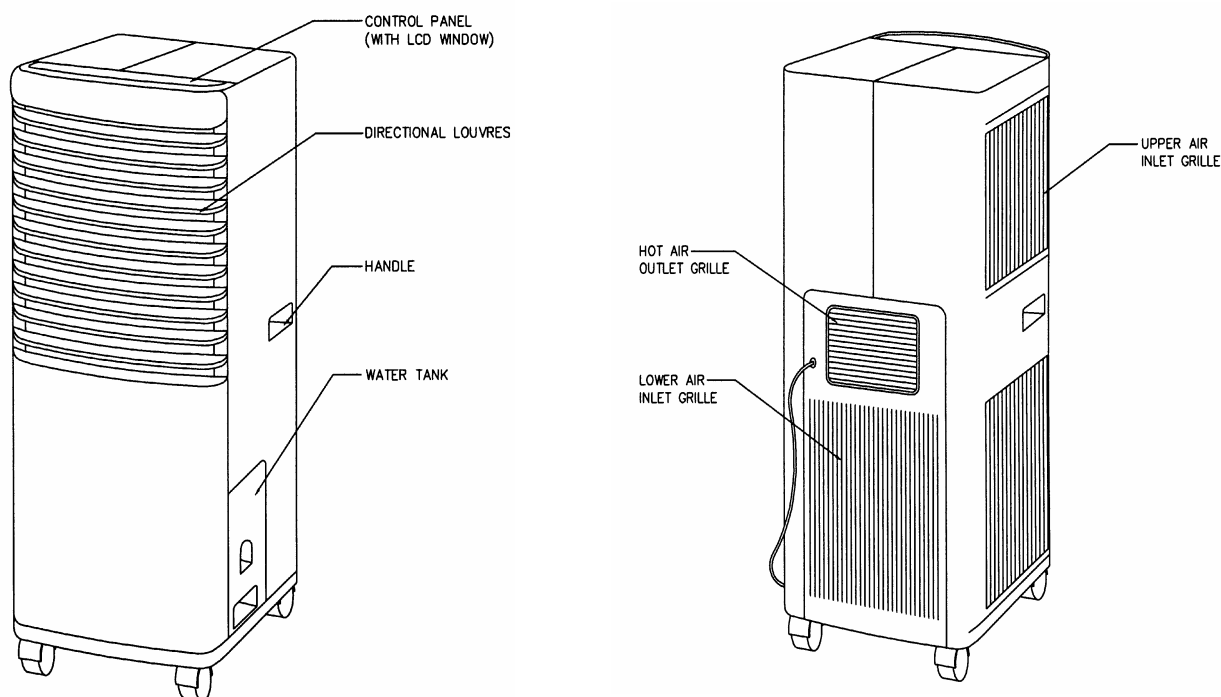


Fig 3

Maintenance

- ◆ Always switch off and unplug the unit before cleaning
- ◆ Clean the air filter in the unit at least every two weeks to remove dust. This will help the unit run to its optimum performance.
- ◆ There are two types of filter within the unit. One is an air filter which will filter out dust in the air, and the other type is an active carbon filter. This filter will help remove smoke and odours from within the room.

Removal/cleaning of the filter

- ◆ Open the "Upper air inlet grille" Cover (Fig 3) by pulling out the handle and lifting the cover upwards. Then remove the air filter from the cover.
- ◆ Wash the air filter by immersing it gently in warm soapy water.
- ◆ Rinse off and dry the filter.
- ◆ Once completely dry the filter can be refitted. This is done by attaching the filter to the cover using the attachment hooks, which are located on the inside surface of the cover.
- ◆ Insert the pegs at the bottom of the filter cover into the holes in the case. Push the cover back into its original position.

The surface of the unit can also be cleaned by wiping it over with a damp cloth.

Important safety notes

- ◆ Do not connect to an electrical socket that is faulty or in need of repair.
- ◆ Do not place the unit next to a source of flame.
- ◆ Do not place the unit in an area where it may be subjected to direct sunlight.
- ◆ Do not place the unit in an area where it is likely to be splashed by water.
- ◆ Never insert fingers or any other objects into the air outlet grille.
- ◆ Always store the unit in an upright position in order to maintain the compressor.
- ◆ If Drain flap is left open water leakage will occur

In the event of a problem please check the following points, before consulting the equipment Supplier.

Problem	Check	Possible solution
When pressing the "on" button. Unit does not start.	Check that the plug and socket are connected.	Insert the plug into the socket.
	If the drain tank indicator light is showing.	Empty the water tank.
	If the water tank is correctly installed.	Reinsert the water tank.
The indicator shows what mode the unit is set at but does not run.	Check to see if the timer is set to run.	If the unit start time has been set it will start automatically at the selected time.
The COOL mode has been set but no cool air is being supplied into the room.	If the room temperature is lower than 16°C.	If the room temperature is lower than the set temperature then the unit will not cool (This is normal).
	If the room temperature is higher than 16°C, Remove the air filter, to see if there is frost on the surface of the evaporator.	The unit is defrosting. When it has finished, the compressor indicator will light up, and the compressor will start running again.
Dehumidify mode is set but the air being supplied into the room is not cool.	Remove the air filter. There is frost on the surface of the evaporator.	Same as stated above.
The air volume coming from the unit is low.	If the filter is blocked by dust & dirt.	The filter requires cleaning.
The unit is noisy and vibrating.	Make sure the unit is on a flat and level surface.	Place the unit on a flat and level surface.
Abnormal noise from the unit.	When the unit is running, or just after the unit has stopped a noise of running water can be heard.	It is the sound of the refrigerant flowing around the pipes (This is normal).

IF IN DOUBT CONSULT A QUALIFIED ELECTRICIAN.