

CM300-series

Mounting Poles and Pedestal Kits

Mounting Poles

Campbell Scientific offers the CM300-series mounting poles for supporting sensors, enclosures, or other instrumentation. They are an ideal mount for remote sensors such as a tipping bucket rain gauge or net radiometer. Individual models differ in their length; the CM300 has a 23" length, the CM305 a 47" length, and the CM310 a 56" length. These mounting poles can be embedded directly into a concrete foundation (see illustration at top right) or used with a pedestal kit.

Pedestal Kits

Three pedestal kits are offered as options for the mounting poles (see Ordering Information on page 2). Alternatively, the pedestal kits may be purchased separately to support a user-supplied 1.5" IPS pole.

J-Bolt Kit

The J-Bolt Kit is for permanent installations. With this kit, customers can more easily control the pole's placement—ensuring that the pole remains in a vertical position. J-bolts are installed in a concrete foundation using the template provided with the kit. Leveling nuts allow adjustment of the pole's position. The illustration at center right shows a 23" mounting pole fastened to a concrete foundation via the J-bolt kit.

Short Leg Kit

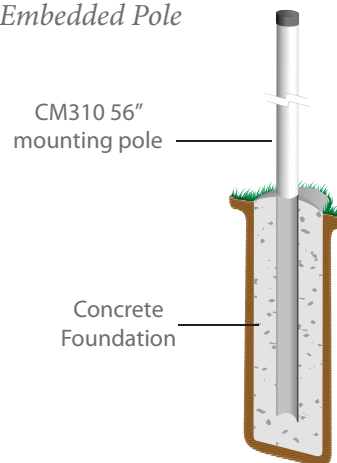
This pedestal kit is adequate for many temporary installations and for many situations where it is impractical to use a concrete foundation. The short leg kit includes three 23" legs, three metal feet, and a pedestal base. The feet can be secured to the ground by using three 17049 Grounding Spikes (purchased separately). A mounting pole supported by three short (23") legs looks similar to the illustration shown at bottom right.

Long Leg Kit

The long leg kit provides more stability for locations where the feet cannot be secured (e.g., pole sitting on a roof), for extended poles, or for areas that experience high wind speeds. This kit includes three 39" legs, three metal feet, and a pedestal base. The feet can be secured to the ground by using three 17049 Grounding Spikes (purchased separately). The illustration at bottom right shows a 56" mounting pole supported by three long (39") legs.

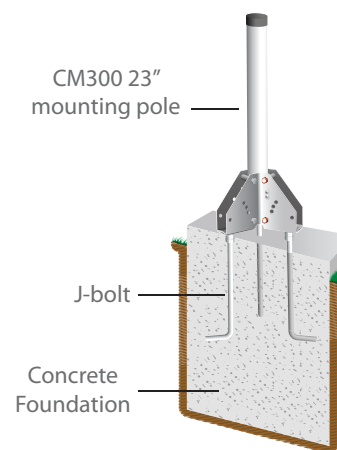
Example Configurations

Embedded Pole



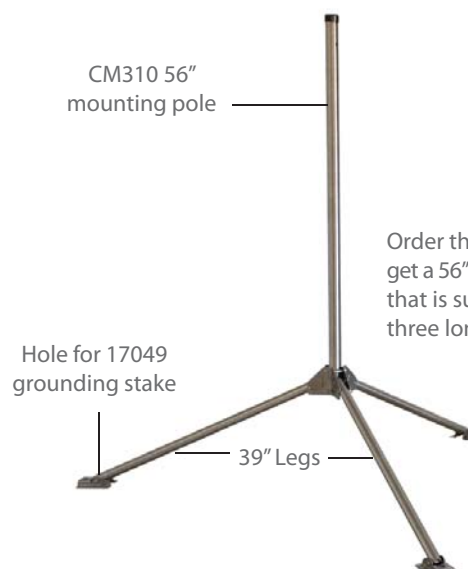
This cut away view shows a 56" mounting pole placed directly in a concrete foundation. Order a CM310-NP to get a 56" pole with no pedestal kit (see Ordering Information on page 2).

Embedded J-Bolts with Leveling Nuts



A cut away view shows a 23" pole attached to a concrete foundation via j-bolts. Order a CM300-PJ to get a 23" pole with the J-bolt pedestal kit.

Pole Supported by Long (39") Legs



Order the CM310-PL to get a 56" mounting pole that is supported with three long (39") legs.

Ordering Information

CM300-series Mounting Poles and Options

Model	Description
CM300	23-inch Mounting Pole with Cap
CM305	47-inch Mounting Pole with Cap
CM310	56-inch Mounting Pole with Cap
Pedestal Options	
These options are available for all of the mounting pole models.	
-NP	No Pedestal Base. Select this if you are embedding the pole directly in a concrete foundation or supplying your own method for supporting the pole.
-PJ	Pedestal J-Bolt Kit that provides leveling capability for permanent installations.
-PS	Pedestal Short Leg Kit that includes three 23" legs (feet can be secured to the ground via the 17049 Grounding Spikes).
-PL	Pedestal Long Leg Kit that includes three 39" legs (feet can be secured to the ground via the 17049 Grounding Spikes).

Pedestal Kits for User-Supplied 1.5" IPS Poles

Model	Description
Use the following model numbers if ordering a pedestal kit only (not ordering a mounting pole).	
CM340	Pedestal J-Bolt Kit that provides leveling capability for permanent installations.
CM350	Pedestal Short Leg Kit that includes three 23" legs (feet can be secured to the ground via the 17049 Grounding Spikes).
CM355	Pedestal Long Leg Kit that includes three 39" legs (feet can be secured to the ground via the 17049 Grounding Spikes).

Accessories

Model	Description
17049	Grounding Spike for securing one foot of the Short Leg Kit or Long Leg Kit. Three required.
19238	Grounding Kit used to protect the equipment by providing an earth ground.

Specifications

CM300-series Mounting Poles

Material: Stainless Steel

Pipe Size: 1.5" IPS

Outer Diameter: 1.9" (4.8 cm)

Length

CM300: 23" (58 cm)

CM305: 47" (119 cm)

CM310: 56" (142 cm)

Weight

CM300: 7 lbs (3.2 kg)

CM305: 14 lbs (6.4 kg)

CM310: 17 lbs (7.7 kg)

J-bolt Kit

J-bolt Material: Stainless Steel

J-bolt Size: 1/2-13" x 12"

Short Leg Kit

Pipe Size: 1.5" IPS

Leg Length: 23" (58 cm)

Pedestal Height and Base Radius:

Hole Position	Pedestal Height	Radius
Top	3"	27"
Middle	8"	25"
Bottom	13"	22"

Long Leg Kit

Pipe Size: 1.5" IPS

Leg Length: 39" (99 cm)

Pedestal Height and Base Radius:

Hole Position	Pedestal Height	Radius
Top	5"	43"
Middle	15"	40"
Bottom	23"	34"

